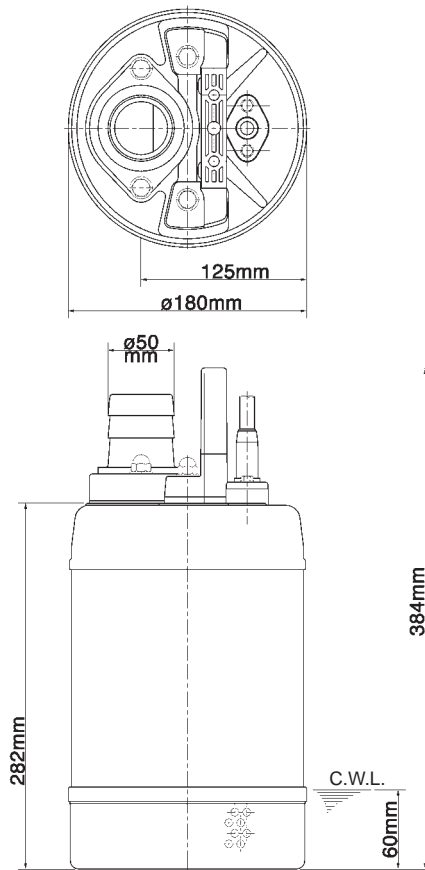
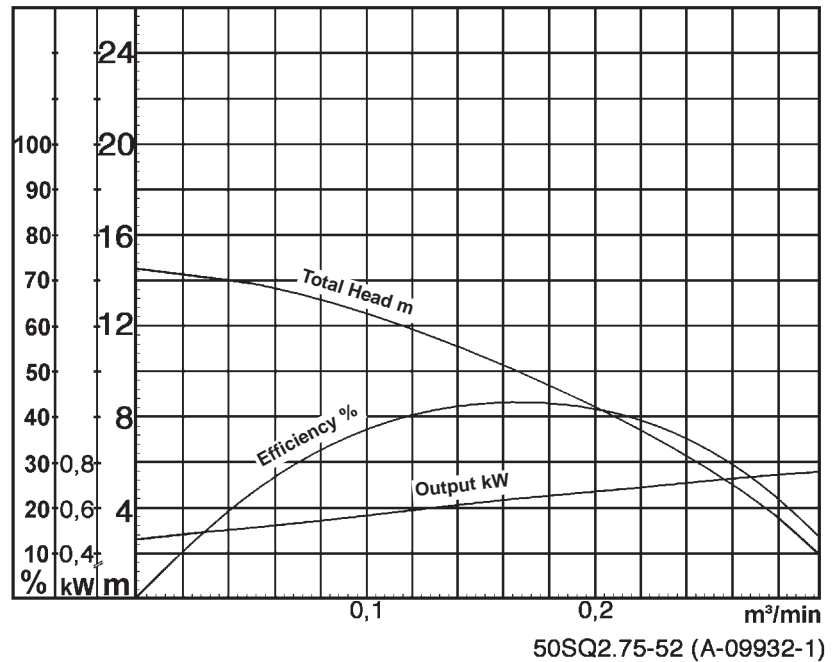


Data Sheet 50SQ2.75-52



C.W.L. = Continuous running water level

50SQ2.75-52 (A-09938-1)



Classification

Electric submersible pump
 Protection class IP68
 Depth of submersion max. 20m
 Semi-open impeller
 Solid handling max. 6mm
 Suitable for corrosive liquids and food

Electric Motor

Dry-type submersible induction motor,
 Insulation class E, 2 poles, 2806 r.p.m.
 Direct on line start
 Voltage: 400V, 50Hz, 3-phase
 Power input: 1,18kW
 Power output: 0,75kW
 Nominal current: 1,8A
 Start current: 9,0A

Electric Cable

10m H07RN-F 4Cx1,5mm²

Motor Protection

Circle thermal protector
 (snap-action bi-metal device)

Shaft Seal

Double mechanical seal in oil bath
 additional lubrication by oil lifting device
 Primary Seal:
 silicon carbide on ceramic
 Secondary Seal:
 ceramic on carbon

Bearings

Shielded ball bearings, maintenance-free

Materials

Impeller:	SCS13 (DIN GX5CrNi19-10)
Casing:	SCS13 (DIN GX5CrNi19-10)
Strainer:	SUS304 (EN-X5CrNi18-10)
Suction Cover:	SUS304 (EN-X5CrNi18-10)
Motor frame:	SUS304 (EN-X5CrNi18-10)
Shaft:	SUS304 (EN-X5CrNi18-10)

Discharge Connection

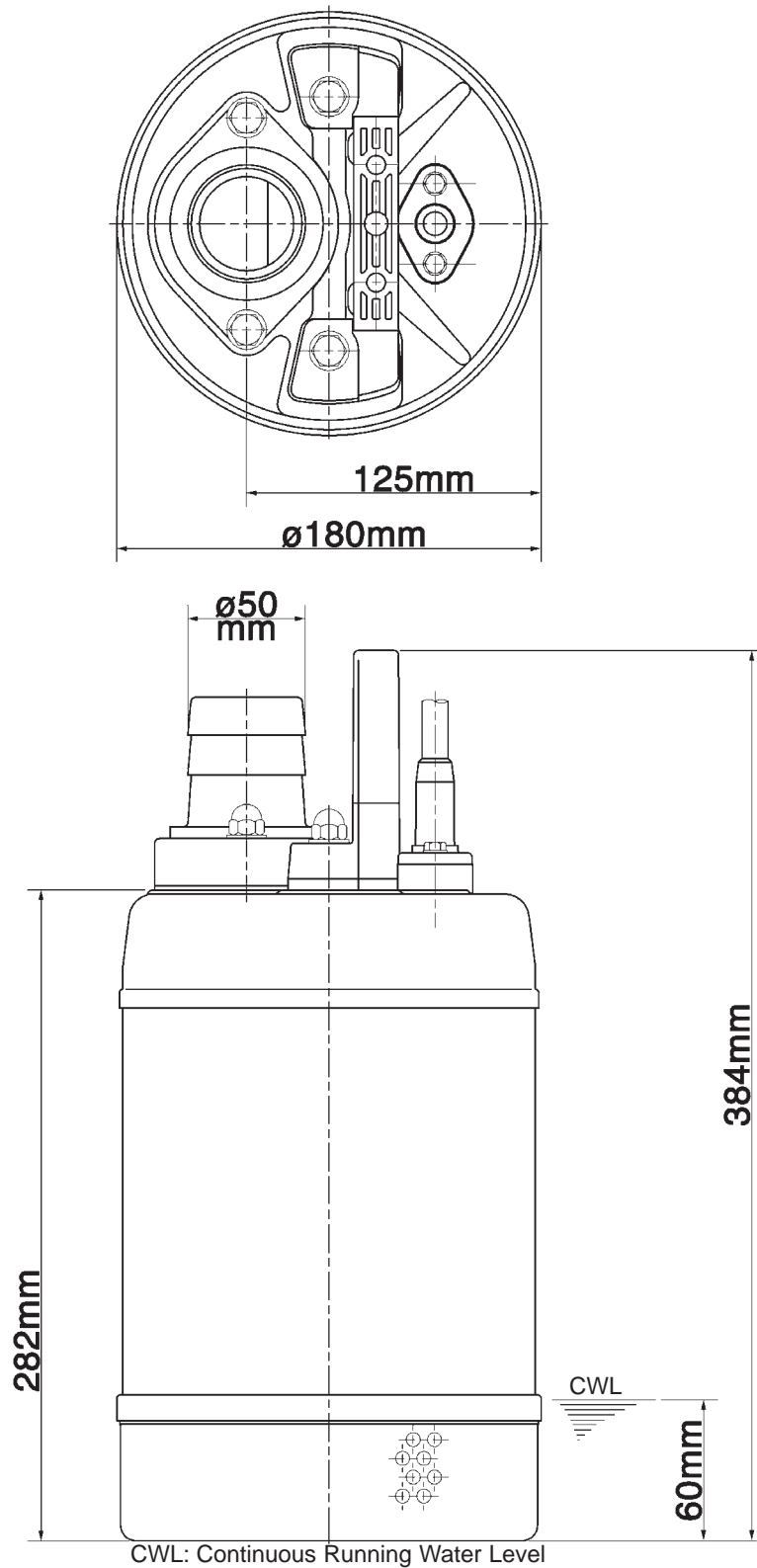
50mm Hose coupling

Weight

14 kg (dry weight of the pump without cable)

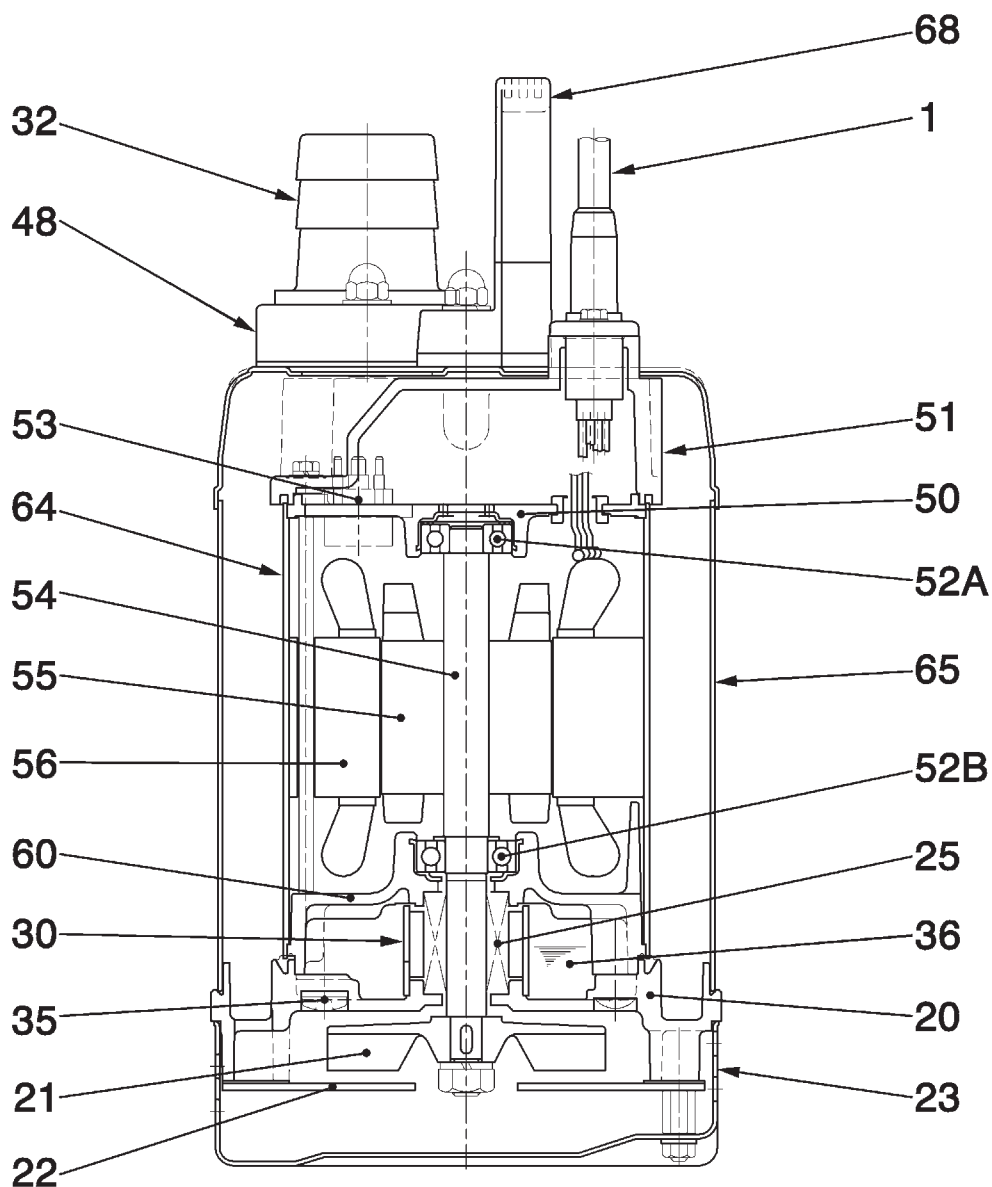
Dimensional Drawing

50SQ2.75-52



50SQ2.75-52 (A-09938-1)

Sectional Drawing 50SQ2.75-52



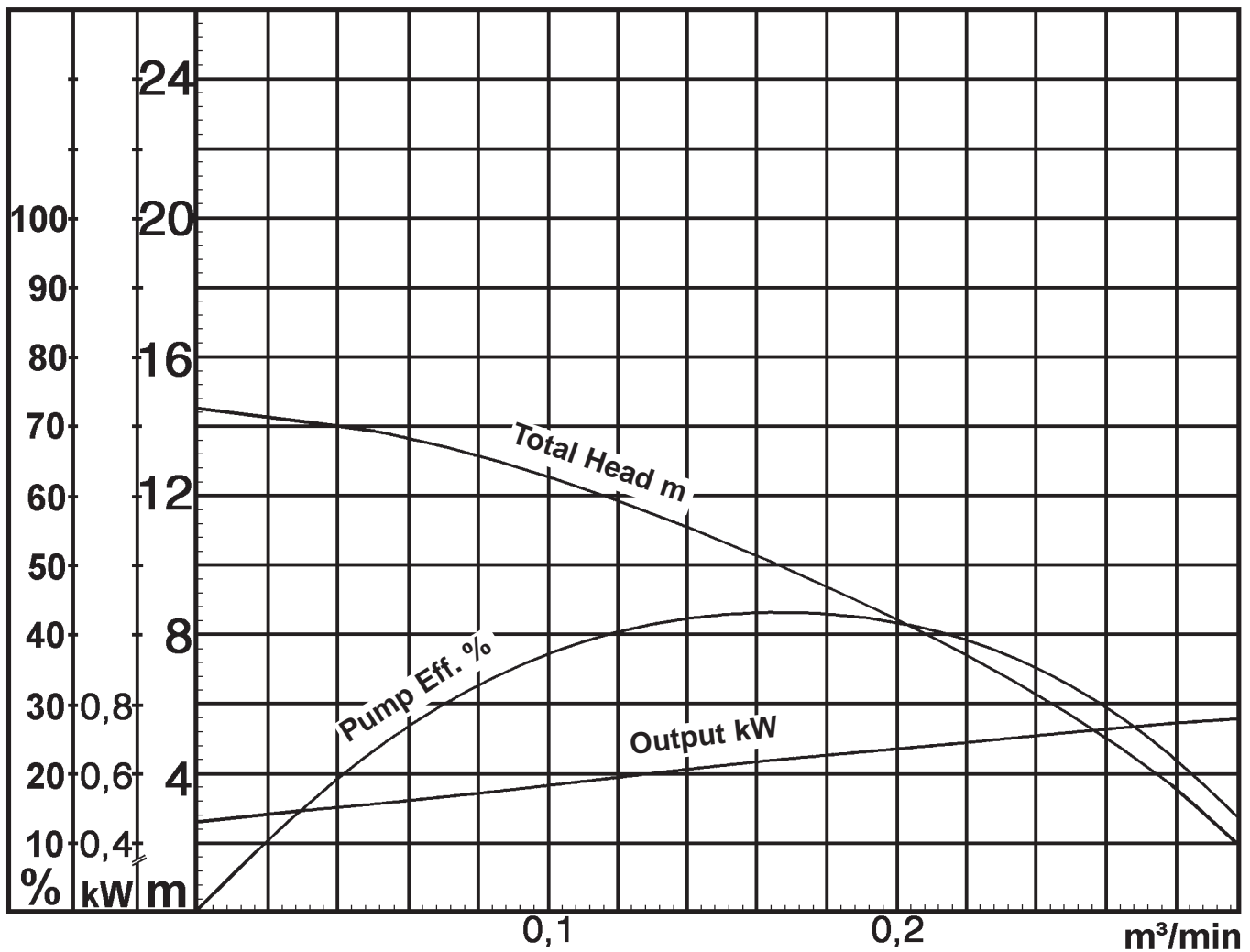
50SQ2.75-52 (A-09942-1)

No.	Description	Qty.	Remarks	No.	Description	Qty.	Remarks
1	Cabtyre Cable	1	H07RN-F	52A	Upper Bearing	1	6201ZZC3
20	Pump Casing	1	SCS13 (DIN GX5CrNi19-10)	52B	Lower Bearing	1	6202ZZC3
21	Impeller	1	SCS13 (DIN GX5CrNi19-10)	53	Motor Protector	1	
22	Suction Cover	1	SUS304 (EN-X5CrNi18-10)	54	Shaft	1	SUS304 (EN-X5CrNi18-10)
23	Strainer	1	SUS304 (EN-X5CrNi18-10)	55	Rotor	1	
25	Mechanical Seal	1	W-14HL	56	Stator Complete	1	
30	Oil Lifter	1	Plastic	60	Bearing Housing	1	Aluminium Die Casting
32	Hose Coupling	1	Plastic	64	Motor Frame	1	SUS304 (EN-X5CrNi18-10)
35	Oil Plug	1	SUS304 (EN-X5CrNi18-10)	65	Outer Cover	1	SUS304 (EN-X5CrNi18-10)
36	Lubricant		White Oil (ISO VG15)	68	Handle	1	Plastic
48	Screw Flange	1	Plastic W/GF				
50	Motor Bracket	1	Aluminium Die Casting				
51	Head Cover	1	SCS13 (DIN GX5CrNi19-10)				

Pump Performance Curve

50SQ2.75-52

Discharge Bore	50 mm
Total Head	11,0 m
Capacity	0,14 m ³ /min
Motor Output	0,75 kW
Motor Input	1,18 kW
Phase	3
Voltage	400 V
Frequency	50 Hz
Rated Current	1,8 A
Starting Current	9,0 A
Poles	2
Revolution	S.S. 2806 r.p.m.
Starting Method	direct on line
Insulation Class	E



50SQ2.75-52 (A-09932-1)