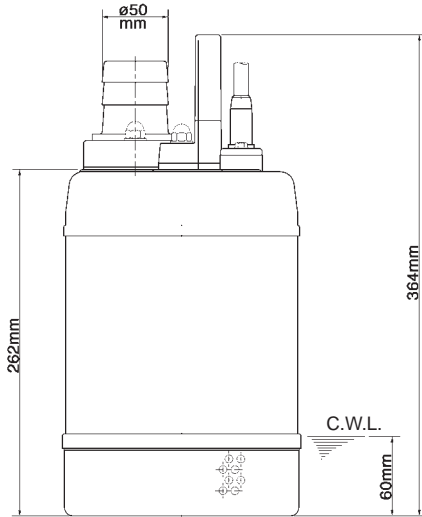
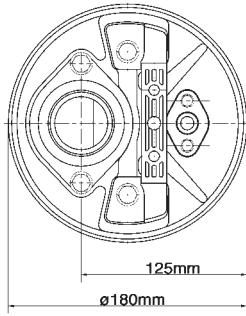
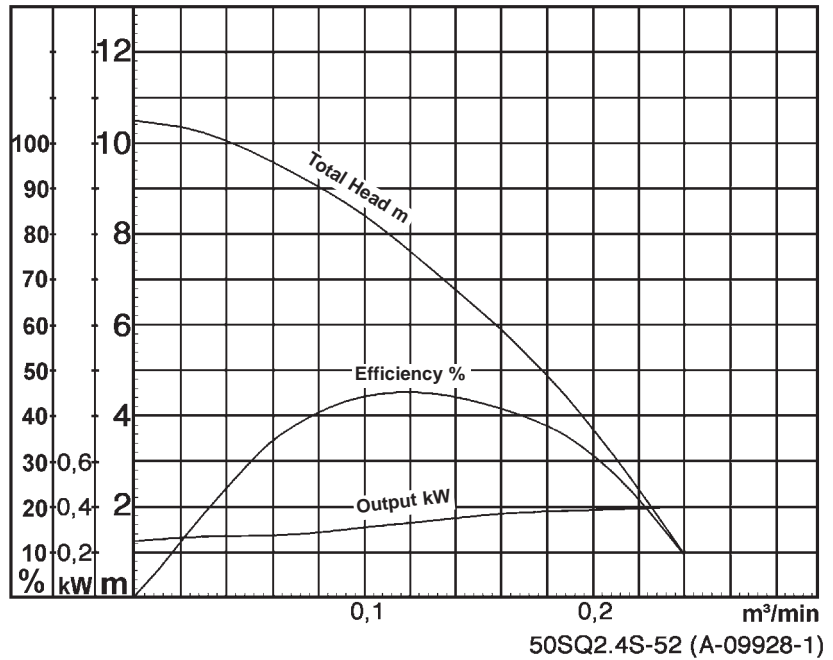


Data Sheet 50SQ2.4S-52



C.W.L. = Continuous running water level
50SQ2.4S-52 (A-09936-1)



Classification

Electric submersible pump
Protection class IP68
Depth of submersion max. 20m
Semi-open impeller
Solid handling max. 6mm
Suitable for corrosive liquids and food

Electric Motor

Dry-type submersible induction motor,
Insulation class E, 2 poles, 2807 r.p.m.
Capacitor start
Voltage: 230V, 50Hz, 1-phase
Power input: 0,69kW
Power output: 0,40kW
Nominal current: 3,5A
Start current: 11,0A

Electric Cable

10m H07RN-F 3Cx1mm²

Motor Protection

Circle thermal protector
(snap-action bi-metal device)

Shaft Seal

Double mechanical seal in oil bath
additional lubrication by oil lifting device
Primary Seal:
silicon carbide on ceramic
Secondary Seal:
ceramic on carbon

Bearings

Shielded ball bearings, maintenance-free

Materials

Impeller: SCS13 (DIN GX5CrNi19-10)
Casing: SCS13 (DIN GX5CrNi19-10)
Strainer: SUS304 (EN-X5CrNi18-10)
Suction Cover: SUS304 (EN-X5CrNi18-10)
Motor frame: SUS304 (EN-X5CrNi18-10)
Shaft: SUS304 (EN-X5CrNi18-10)

Discharge Connection

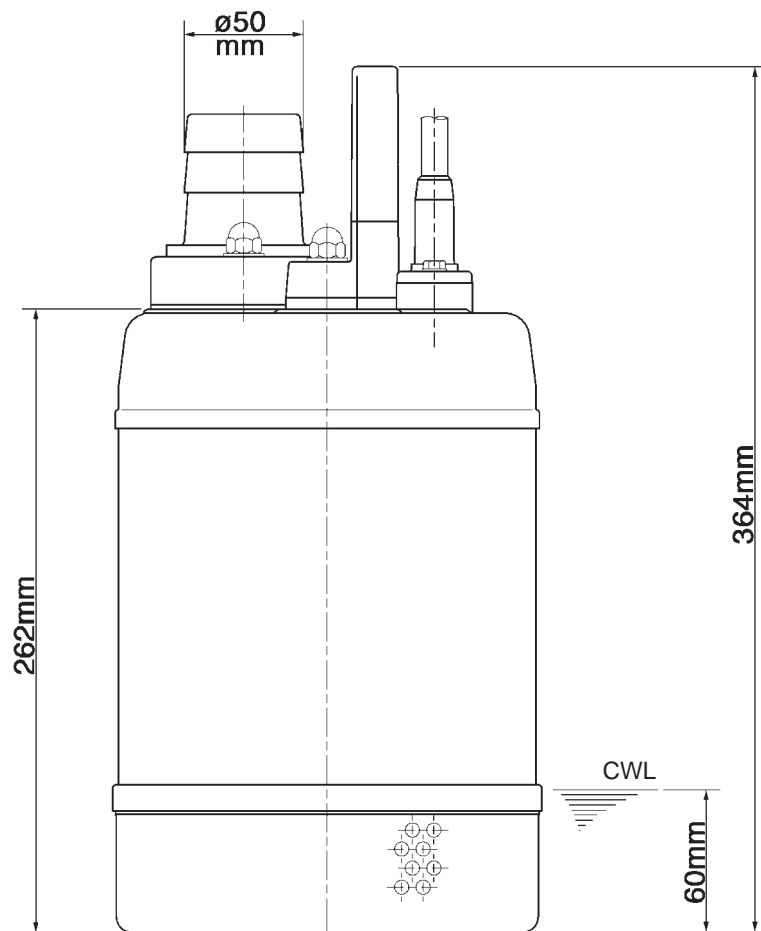
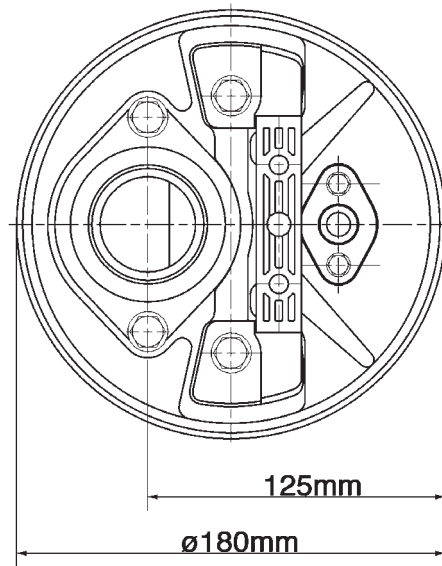
50mm Hose coupling

Weight

12,5 kg (dry weight of the pump without cable)

Dimensional Drawing

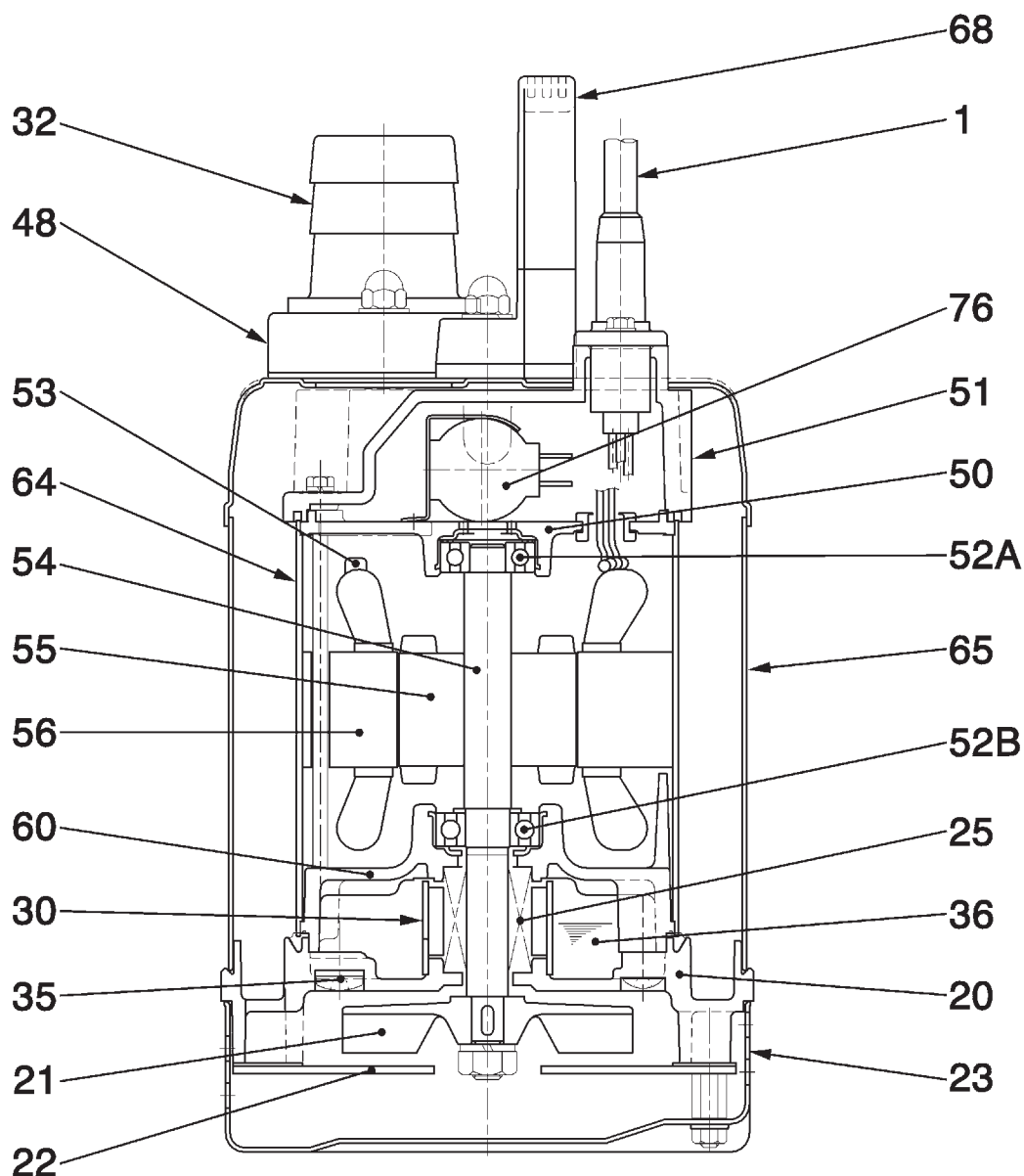
50SQ2.4S-52



CWL: Continuous Running Water Level

50SQ2.4S-52 (A-09936-1)

Sectional Drawing 50SQ2.4S-52



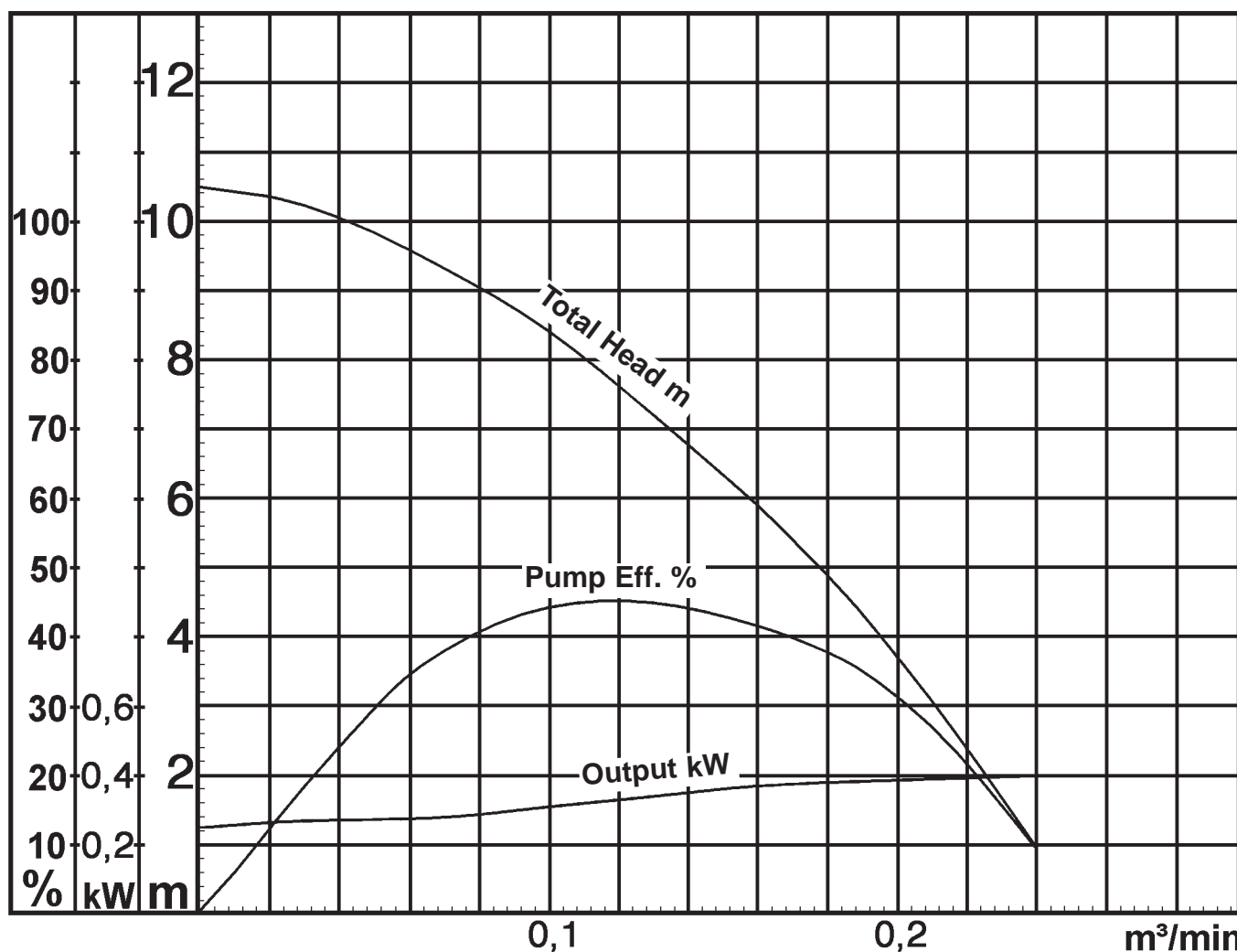
50SQ2.4S-52 (A-09939-1)

No.	Description	Qty.	Remarks	No.	Description	Qty.	Remarks
1	Cable	1	H07RN-F	52A	Upper Bearing	1	6201ZZC3
20	Pump Casing	1	SCS13 (DIN GX5CrNi19-10)	52B	Lower Bearing	1	6202ZZC3
21	Impeller	1	SCS13 (DIN GX5CrNi19-10)	53	Motor Protector	1	
22	Suction Cover	1	SUS304 (EN-X5CrNi18-10)	54	Shaft	1	SUS304 (EN-X5CrNi18-10)
23	Strainer	1	SUS304 (EN-X5CrNi18-10)	55	Rotor	1	
25	Mechanical Seal	1	W-14HL	56	Stator Complete	1	
30	Oil Lifter	1	Plastic	60	Bearing Housing	1	Aluminium Die Casting
32	Hose Coupling	1	Plastic	64	Motor Frame	1	SUS304 (EN-X5CrNi18-10)
35	Oil Plug	1	SUS304 (EN-X5CrNi18-10)	65	Outer Cover	1	SUS304 (EN-X5CrNi18-10)
36	Lubricant		White Oil (ISO VG15)	68	Handle	1	Plastic
48	Screw Flange	1	Plastic W/GF	76	Capacitor	1	
50	Motor Bracket	1	Aluminium Die Casting				
51	Head Cover	1	SCS13 (DIN GX5CrNi19-10)				

Pump Performance Curve

50SQ2.4S-52

Discharge Bore	50 mm
Total Head	8,0 m
Capacity	0,11 m ³ /min
Motor Output	0,40 kW
Motor Input	0,69 kW
Phase	1
Voltage	230 V
Frequency	50 Hz
Rated Current	3,5 A
Starting Current	11,0 A
Poles	2
Revolution	S.S. 2807 r.p.m.
Starting Method	capacitor
Insulation Class	E



50SQ2.4S-52 (A-09928-1)