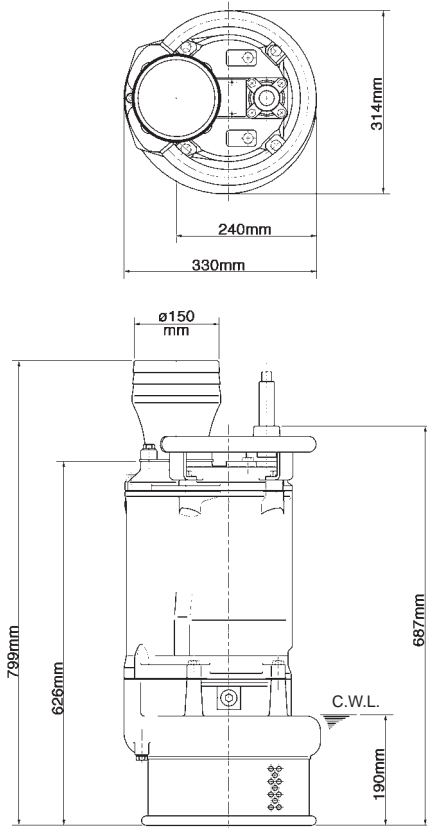
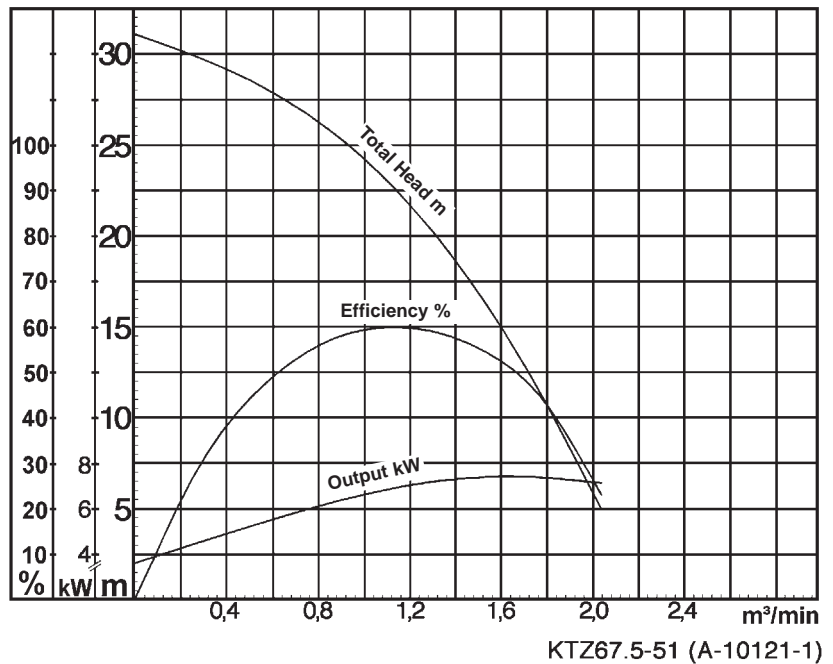


Data Sheet KTZ67.5-51



KTZ67.5-51 (A-10129-1)

C.W.L. = Continuous running water level



KTZ67.5-51 (A-10121-1)

Classification

Electric submersible pump
 Protection class IP68
 Depth of submersion max. 50m
 Open type impeller
 Max. solid handling 20 mm
 Suitable for spring water, rain water, ground water, sand carrying water

Electric Motor

Dry-type submersible induction motor,
 Insulation class F, 2 poles, 2940 r.p.m.
 Direct on line start
 Voltage: 400V, 50Hz, 3-phase
 Power input: 9,17kW
 Power output: 7,50kW
 Nominal current: 15,0A
 Start current: 118,0A

Electric Cable

20m H07RN-F 4Cx4mm²

Motor Protection

Circle thermal protector
 (snap-action bi-metal device)

Shaft Seal

Double mechanical seal in oil bath
 additional lubrication by oil lifting device
 Primary Seal:
 silicon carbide on silicon carbide
 Secondary Seal:
 silicon carbide on carbon

Bearings

Shielded ball bearings, maintenance-free

Materials

Impeller:	Chromium iron casting
Casing:	FC200 (EN-GJL-200)
Suction Cover:	FCD500 (EN-GJS-500-7)
Motor frame:	FC150 (EN-GJL-150)
Shaft:	SUS420J2 (EN-X30Cr13)

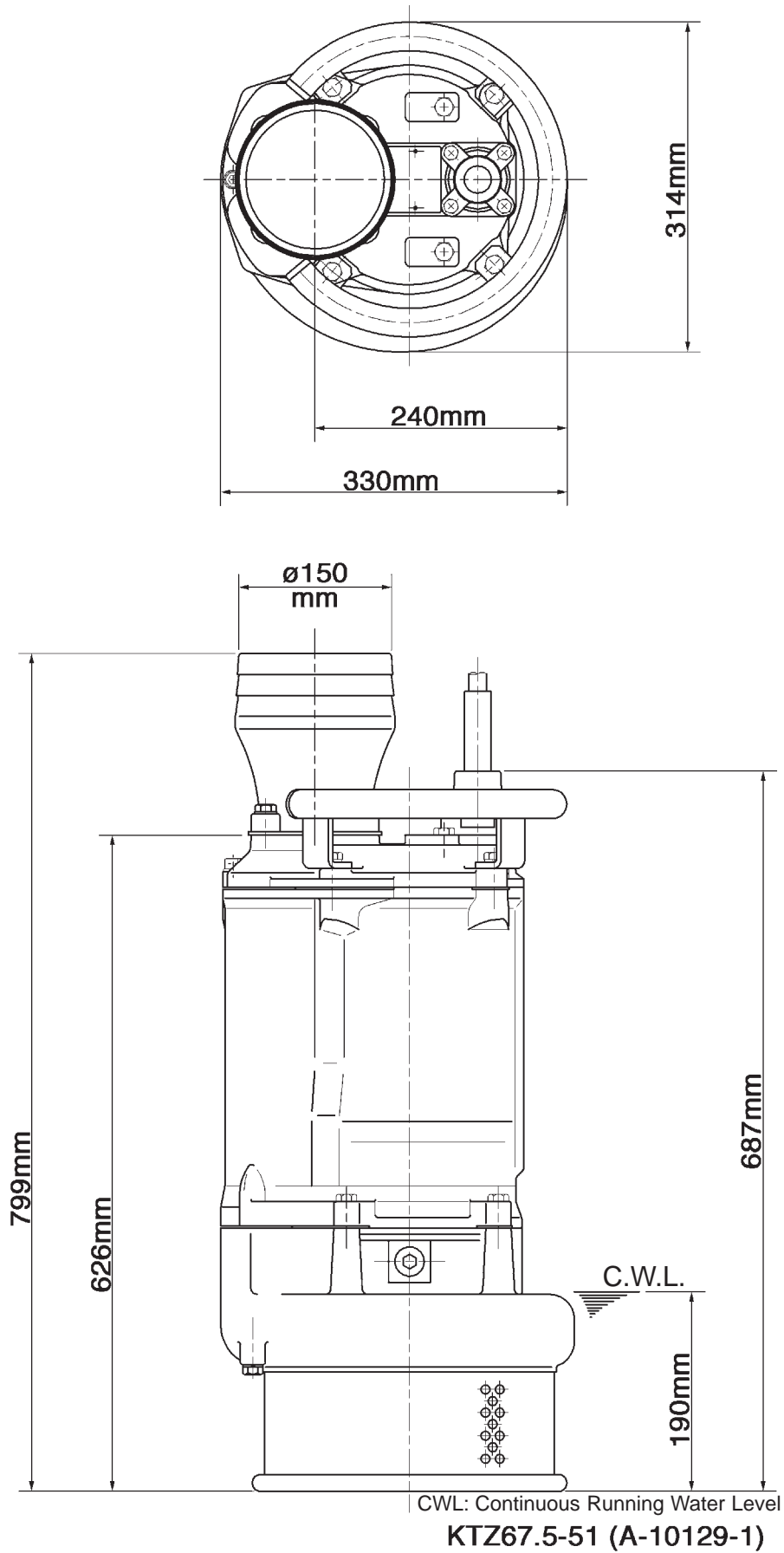
Discharge Connection

6" (150mm) BS-Coupling (threaded flange)

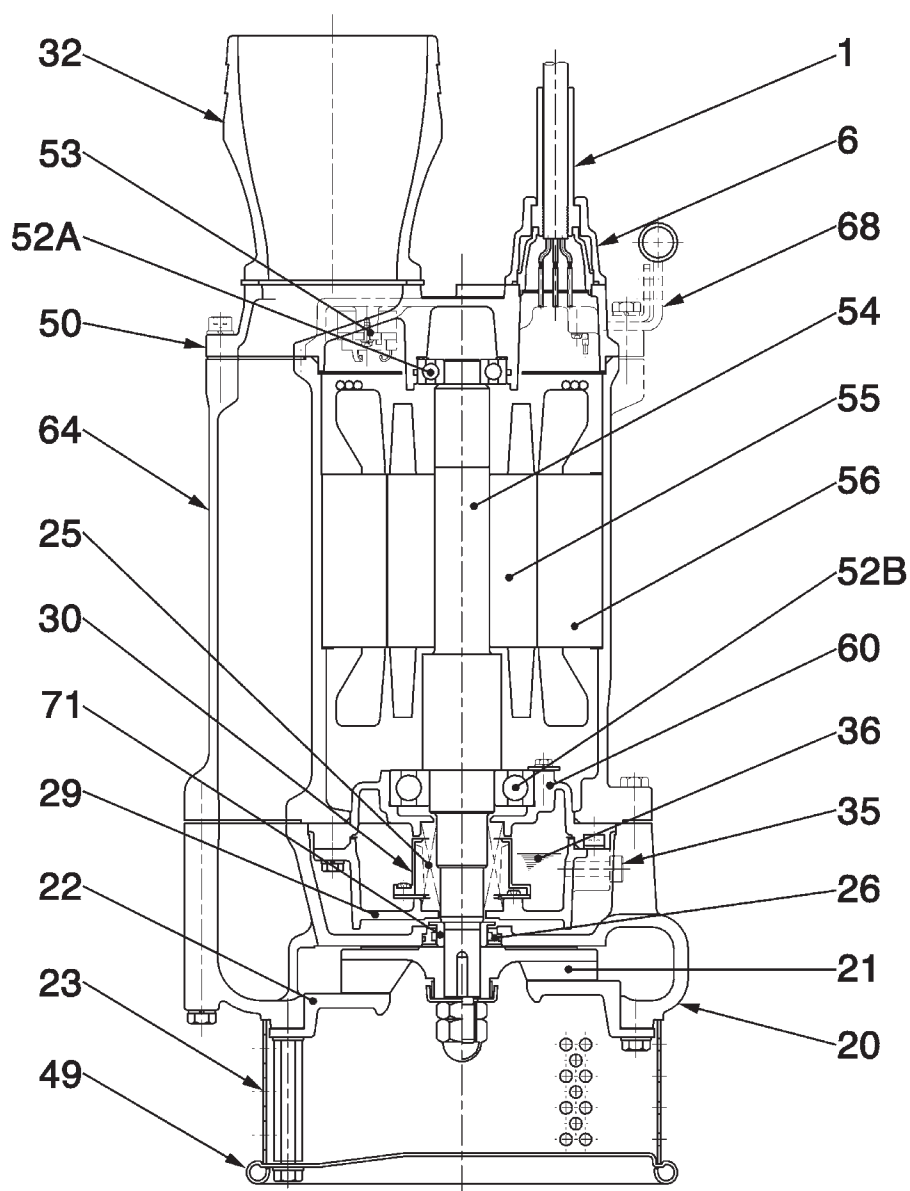
Weight

107 kg (dry weight of the pump without cable)

Dimensional Drawing KTZ67.5-51



Sectional Drawing KTZ67.5-51



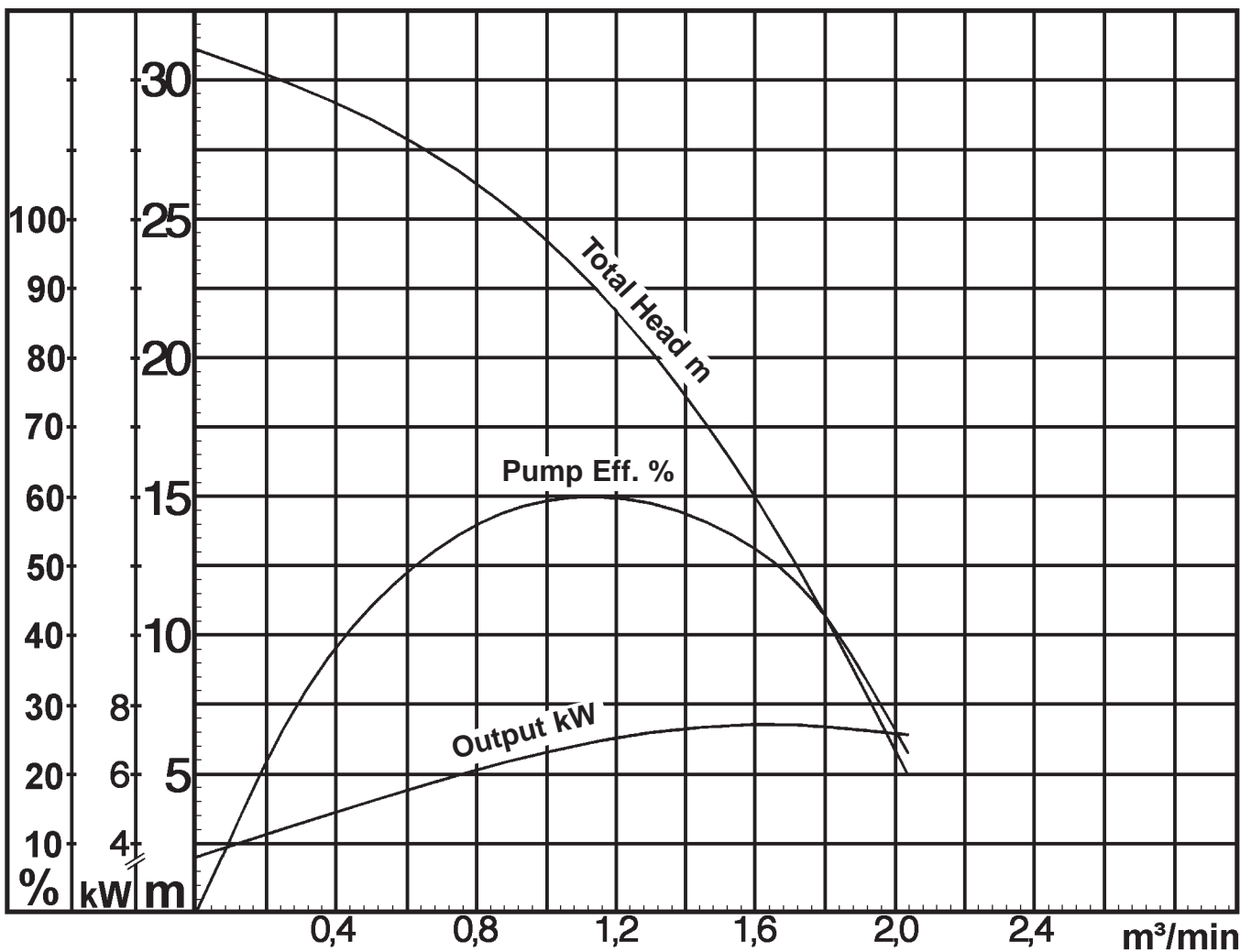
KTZ67.5-51 (A-10133-1)

No.	Description	Qty.	Remarks	No.	Description	Qty.	Remarks
1	Cabtyre Cable	1	20m H07RN-F 4Cx4mm ²	50	Motor Bracket	1	FC150 (EN-GJL-150)
6	Stuffing Box	1	FC200 (EN-GJL-200)	52A	Upper Bearing	1	6305ZCC3
20	Pump Casing	1	FC200 (EN-GJL-200)	52B	Lower Bearing	1	6309ZCC3
21	Impeller	1	Chromium Iron Casting HiCrFC	53	Motor Protector	1	
22	Suction Cover	1	FCD500 (EN-GJS-500-7)	54	Shaft	1	SUS420J2 (EN-X30Cr13)
23	Strainer Stand	1	Steel Plate SPCC	55	Rotor	1	
25	Mechanical Seal	1	HT-3035N	56	Stator Complete	1	
26	Labyrinth Ring	1	SUS304 (EN-X5CrNi18-10)	60	Bearing Housing	1	FC150 (EN-GJL-150)
29	Oil Casing	1	FC200 (EN-GJL-200)	64	Motor Frame	1	FC150 (EN-GJL-150)
30	Oil Lifter	1	Plastic	68	Handle	1	Carbon Steel SGP/Structure Steel SS
32	Hose Coupling	1	Aluminium Alloy Casting AD12	71	Shaft Sleeve	1	SUS403 (EN-X6Cr13)
35	Oil Plug	1	SUS304 (EN-X5CrNi18-10)				
36	Lubricant		Turbine Oil ISO VG32				
49	Bottom Plate	1	Steel Plate SPCC				

Pump Performance Curve

KTZ67.5-51

Discharge Bore	150 mm
Total Head	15 m
Capacity	1,60 m ³ /min
Motor Output	7,50 kW
Motor Input	9,17 kW
Phase	3
Voltage	400 V
Frequency	50 Hz
Rated Current	15 A
Starting Current	118 A
Poles	2
Revolution	S.S. 2945 r.p.m.
Starting Method	direct on line
Insulation Class	F



KTZ67.5-51 (A-10121-1)