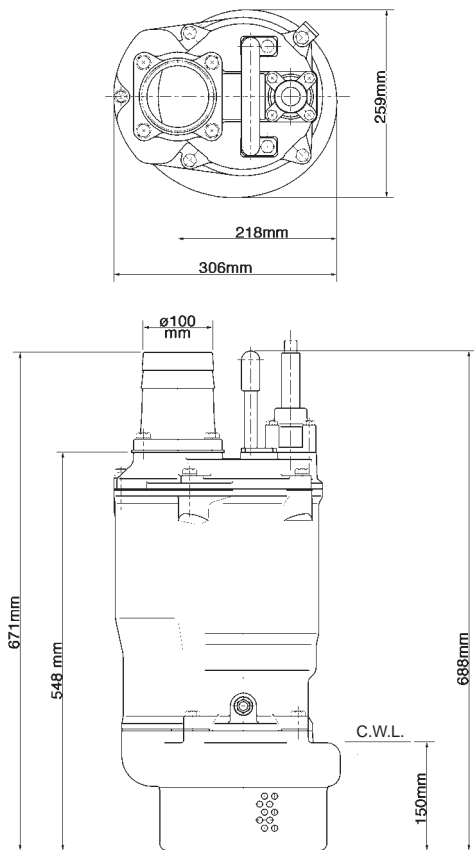
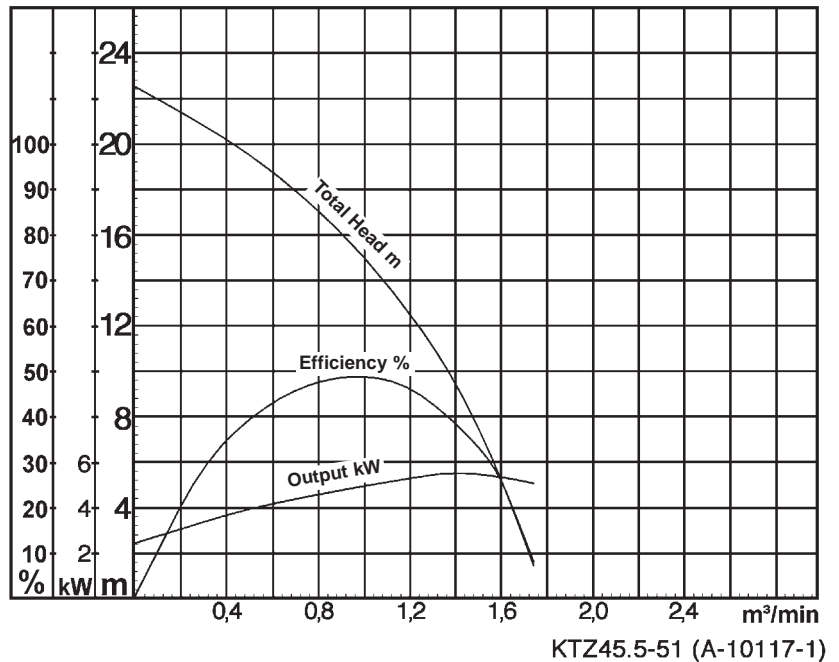


Data Sheet KTZ45.5-51



KTZ45.5-51 (A-10128-1)

C.W.L. = Continuous running water level



KTZ45.5-51 (A-10117-1)

Classification

Electric submersible pump
 Protection class IP68
 Depth of submersion max. 50m
 Open type impeller
 Max. solid handling 10 mm
 Suitable for spring water, rain water, ground water, sand carrying water

Electric Motor

Dry-type submersible induction motor,
 Insulation class F, 2 poles, 2945 r.p.m.
 Direct on line start
 Voltage: 400V, 50Hz, 3-phase
 Power input: 6,9kW
 Power output: 5,5kW
 Nominal current: 11,4A
 Start current: 85,0A

Electric Cable

20m H07RN-F 4Cx2,5mm²

Motor Protection

Circle thermal protector
 (snap-action bi-metal device)

Shaft Seal

Double mechanical seal in oil bath
 additional lubrication by oil lifting device
 Primary Seal:
 silicon carbide on silicon carbide
 Secondary Seal:
 silicon carbide on carbon

Bearings

Shielded ball bearings, maintenance-free

Materials

Impeller:	Chromium iron casting
Casing:	FC200 (EN-GJL-200)
Suction Cover:	FCD500 (EN-GJS-500-7)
Motor frame:	FC150 (EN-GJL-150)
Shaft:	SUS420J2 (EN-X30Cr13)

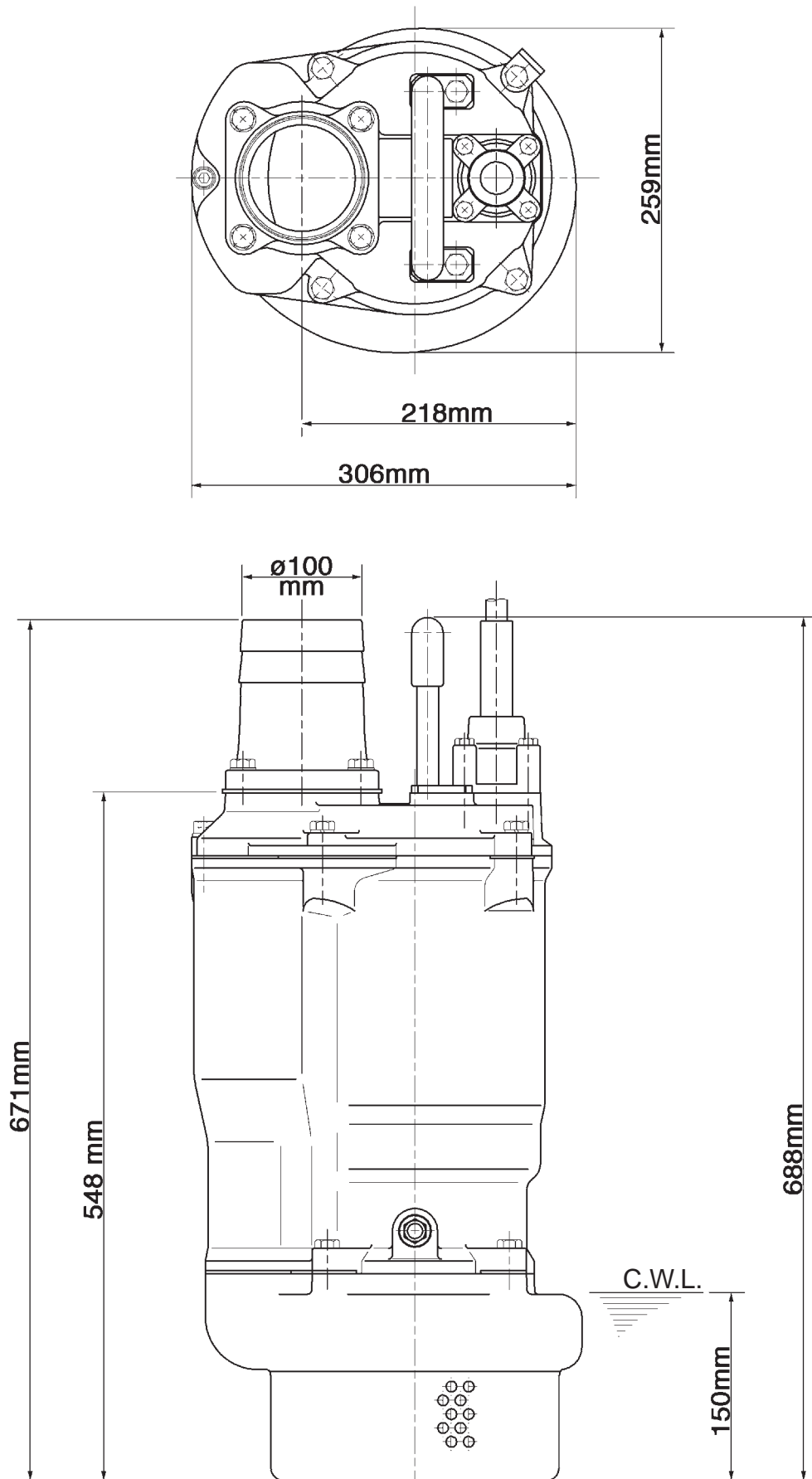
Discharge Connection

4" (100mm) BS-Coupling (threaded flange)

Weight

82 kg (dry weight of the pump without cable)

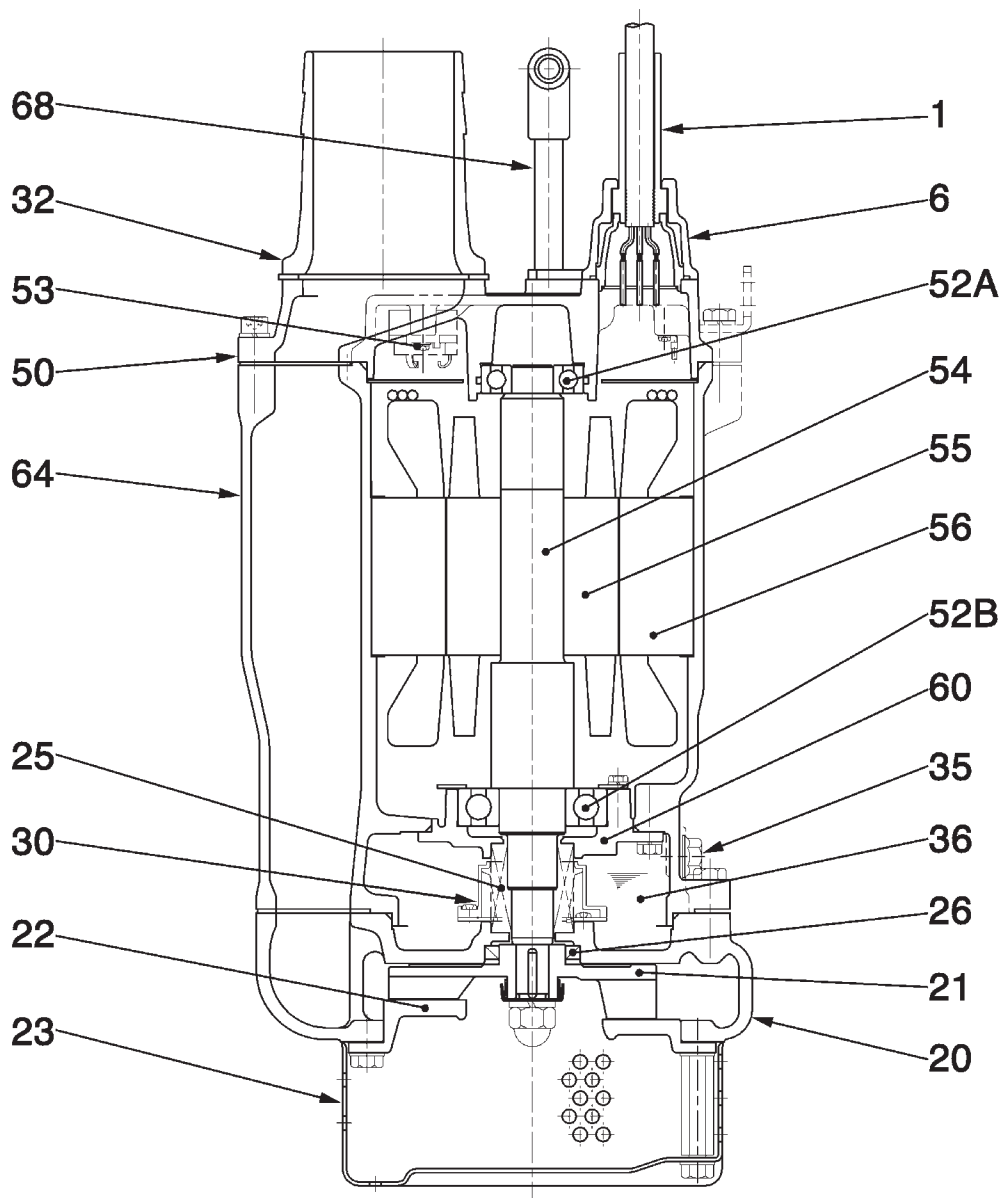
Dimensional Drawing KTZ45.5-51



CWL: Continuous Running Water Level

KTZ45.5-51 (A-10128-1)

Sectional Drawing KTZ45.5-51



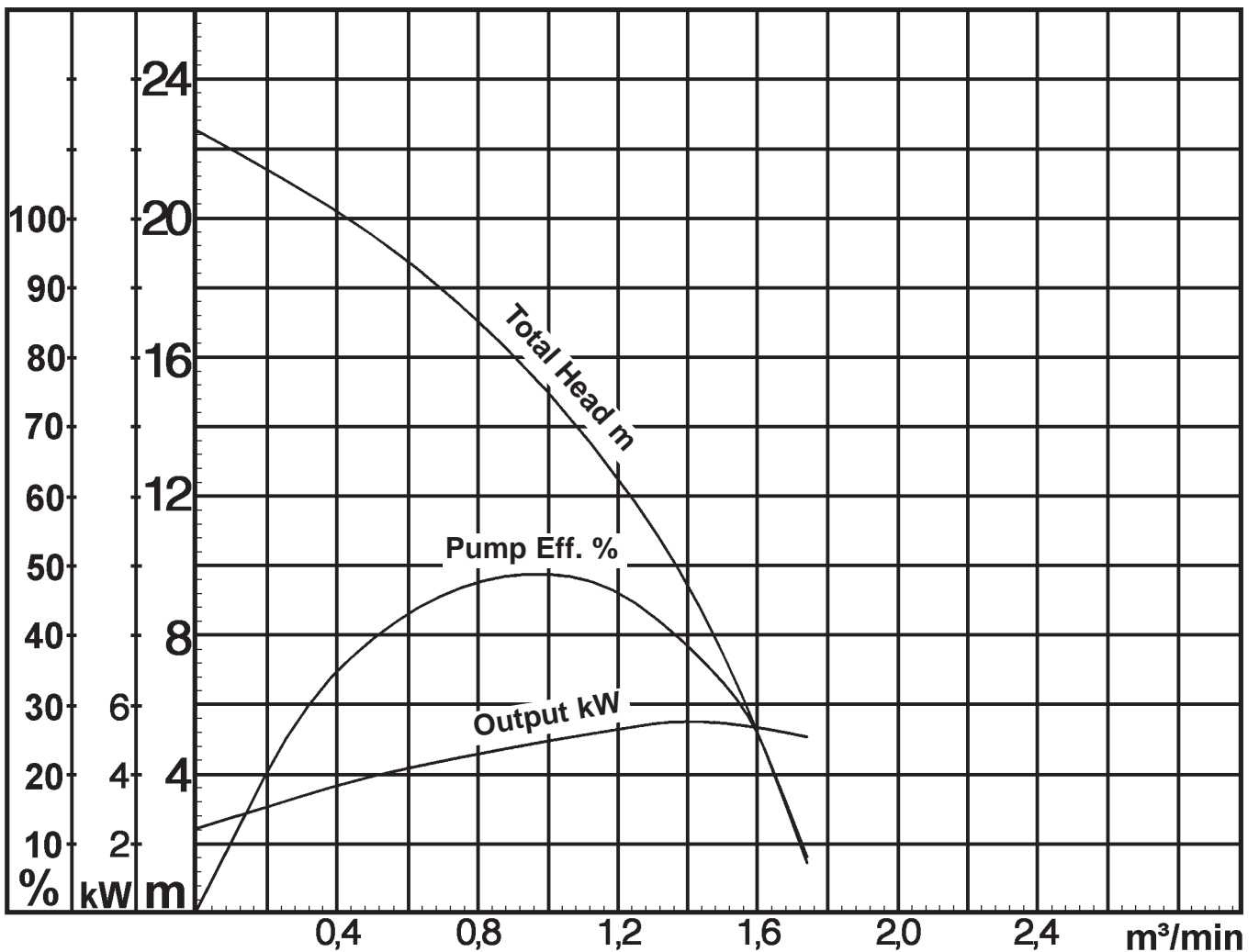
KTZ45.5-51 (A-10132-1)

No.	Description	Qty.	Remarks	No.	Description	Qty.	Remarks
1	Cabtyre Cable	1	20m H07RN-F 4Cx2,5mm ²	52B	Lower Bearing	1	6308ZZC3
6	Stuffing Box	1	FC200 (EN-GJL-200)	53	Motor Protector	1	
20	Pump Casing	1	FC200 (EN-GJL-200)	54	Shaft	1	SUS420J2 (EN-X30Cr13)
21	Impeller	1	Chromium Iron Casting HiCrFC	55	Rotor	1	
22	Suction Cover	1	FCD500 (EN-GJS-500-7)	56	Stator Complete	1	
23	Strainer Stand	1	Steel Plate SPCC	60	Bearing Housing	1	FC150 (EN-GJL-150)
25	Mechanical Seal	1	H-2530N	64	Motor Frame	1	FC150 (EN-GJL-150)
26	Oil Seal	1	DD40588	68	Handle	1	Carbon Steel SGP/Structure Steel SS
30	Oil Lifter	1	Plastic				
32	Hose Coupling	1	Aluminium Alloy Casting ADC12				
35	Oil Plug	1	SUS304 (EN-X5CrNi18-10)				
36	Lubricant		Turbine Oil (ISO VG32)				
50	Motor Bracket	1	FC150 (EN-GJL-150)				
52A	Upper Bearing	1	6305ZZC3				

Pump Performance Curve

KTZ45.5-51

Discharge Bore	100 mm
Total Head	15 m
Capacity	1,00 m ³ /min
Motor Output	5,5 kW
Motor Input	6,9 kW
Phase	3
Voltage	400 V
Frequency	50 Hz
Rated Current	11,4 A
Starting Current	85,0 A
Poles	2
Revolution	S.S. 2940 r.p.m.
Starting Method	direct on line
Insulation Class	F



KTZ45.5-51 (A-10117-1)