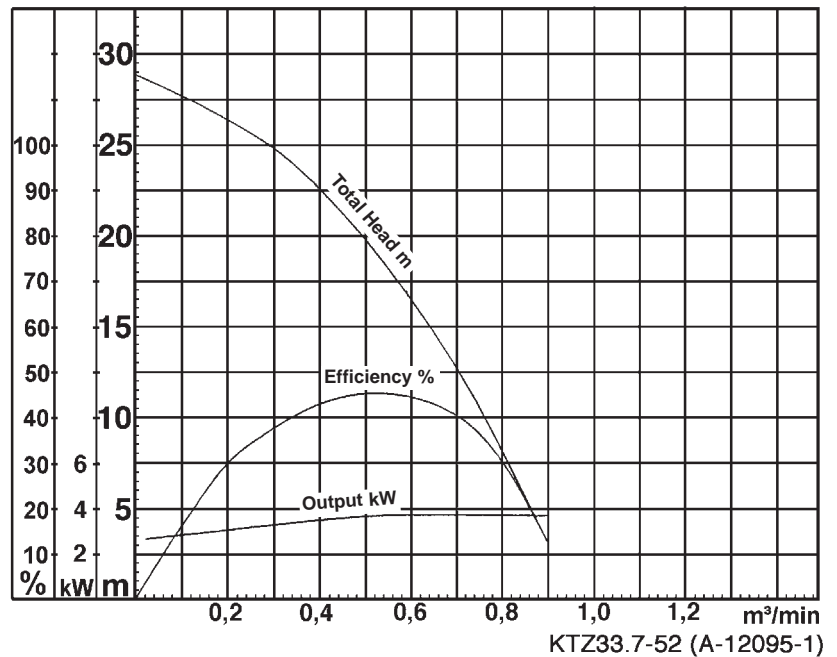
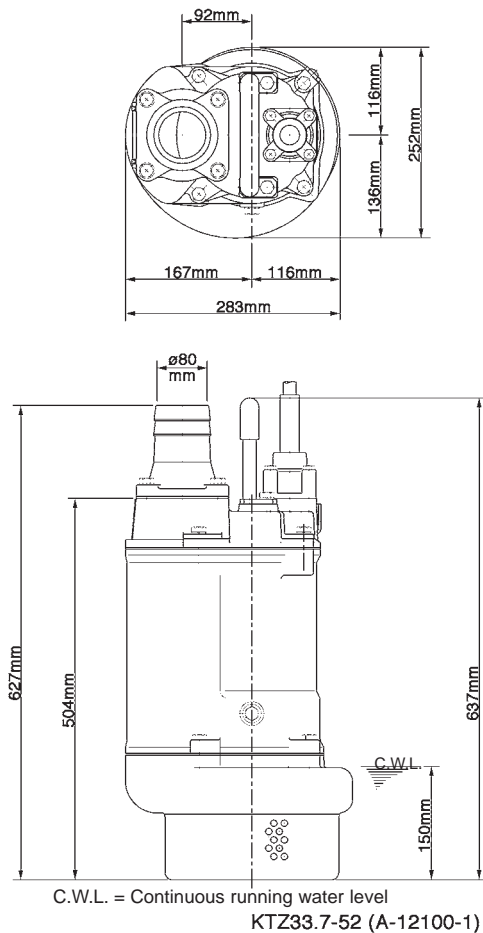


Data sheet KTZ33.7-52



Classification

Electric submersible pump
Protection class IP68
Depth of submersion max. 50m
Open type impeller
Max. solid handling 8,5mm
Suitable for spring water, rain water, ground water, sand carrying water

Electric Motor

Dry-type submersible induction motor,
Insulation class F, 2 poles, 2850 r.p.m.
Direct on line start
Voltage: 400V, 50Hz, 3-phase
Power input: 4,91kW
Power output: 3,70kW
Nominal current: 7,7A
Start current: 58,0A

Electric Cable

20m H07RN-F 4Cx1,5mm²

Motor Protection

Circle thermal protector
(snap-action bi-metal device)

Shaft Seal

Double mechanical seal in oil bath
additional lubrication by oil lifting device
Primary Seal:
silicon carbide on silicon carbide
Secondary Seal:
silicon carbide on carbon

Bearings

Shielded ball bearings, maintenance-free

Materials

Impeller:	Chromium iron casting
Casing:	FC200 (EN-GJL-200)
Suction Cover:	FCD500 (EN-GJS-500-7)
Motor frame:	FC150 (EN-GJL-150)
Shaft:	SUS420J2 (EN-X30Cr13)

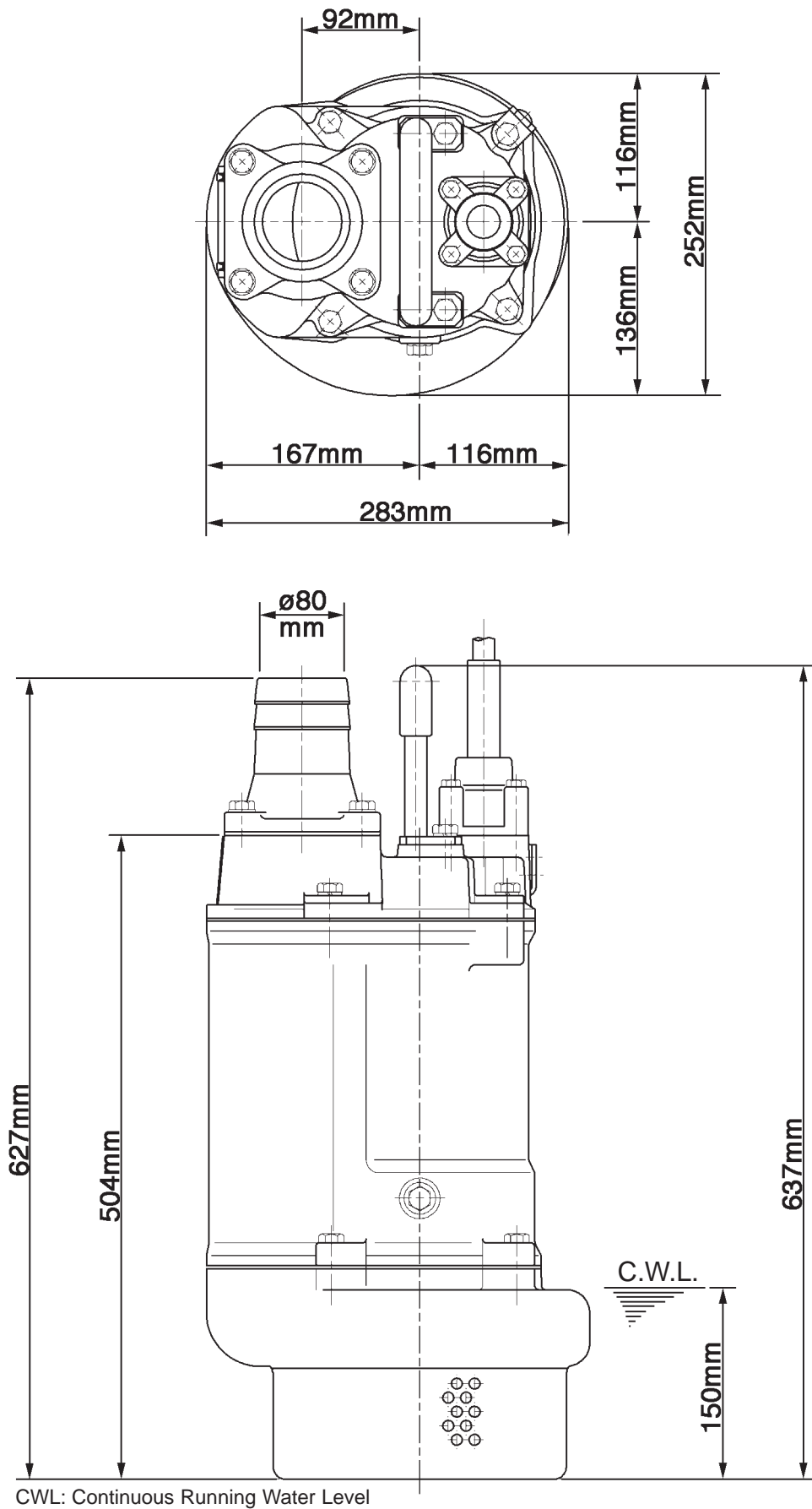
Discharge Connection

3" (80mm) BS-Coupling (threaded flange)

Weight

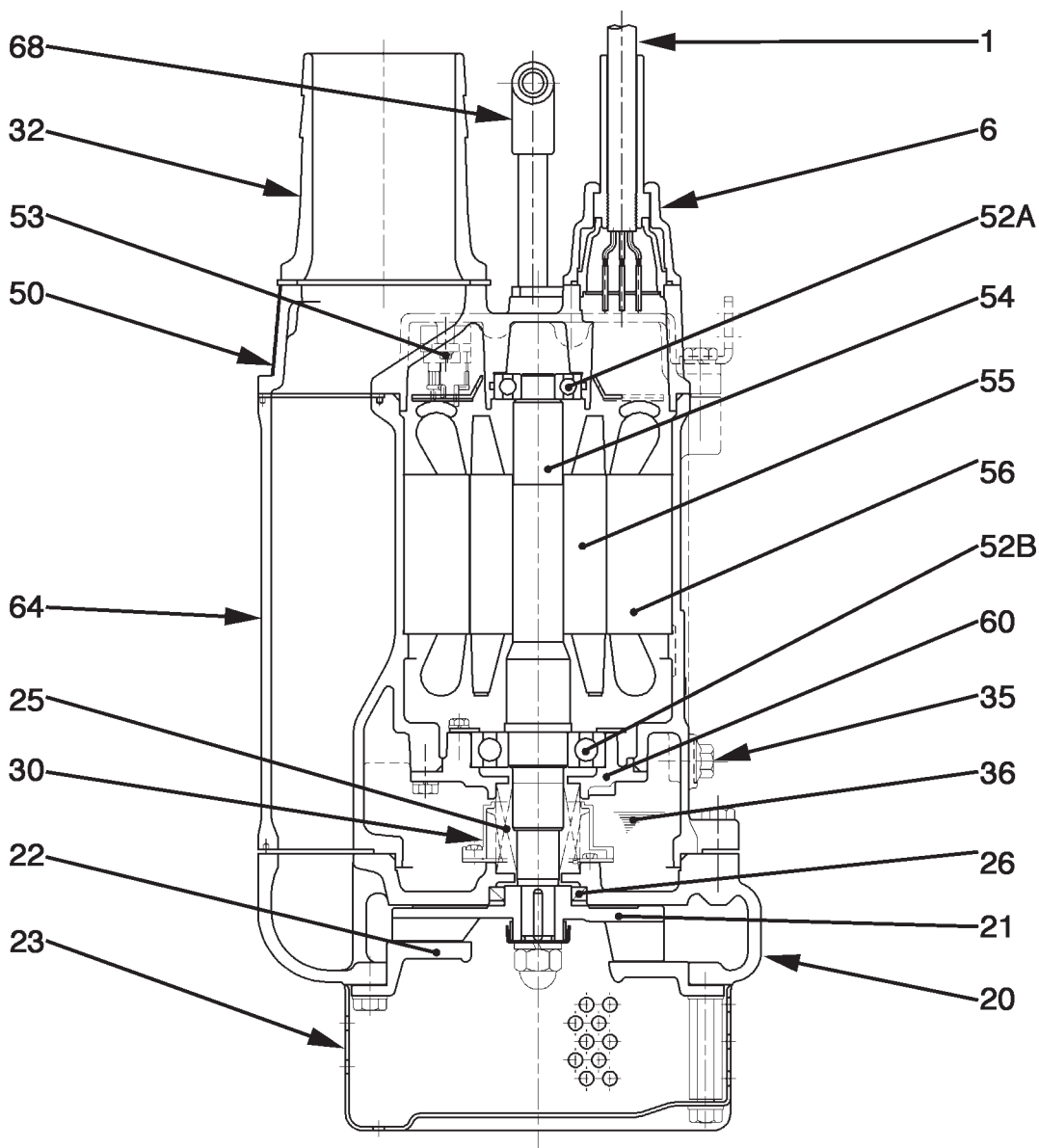
62,5 kg (dry weight of the pump without cable)

Dimensional Drawing KTZ33.7-52



KTZ33.7-52 (A-12100-1)

Sectional Drawing KTZ33.7-52



KTZ33.7-52 (A-12102-1)

No.	Description	Qty.	Remarks	No.	Description	Qty.	Remarks
1	Cabtyre Cable	1	H07RN-F	52B	Lower Bearing	1	6307ZZC3
6	Stuffing Box	1	FC200 (EN-GJL-200)	53	Motor Protector	1	
20	Pump Casing	1	FC200 (EN-GJL-200)	54	Shaft	1	SUS420J2 (EN-X30Cr13)
21	Impeller	1	Chromium Iron Casting HiCrFC	55	Rotor	1	
22	Suction Cover	1	FCD500 (EN-GJS-500-7)	56	Stator Complete	1	
23	Strainer Stand	1	Steel Plate SPCC	60	Bearing Housing	1	FC150 (EN-GJL-150)
25	Mechanical Seal	1	H-2530	64	Motor Frame	1	FC150 (EN-GJL-150)
26	Oil Seal	1	DD40588	68	Handle	1	Carbon Steel SGP/Structure Steel SS
30	Oil Lifter	1	Plastic				
32	Hose Coupling	1	Aluminium Alloy Casting ADC12				
35	Oil Plug	1	SUS304 (EN-X5CrNi18-10)				
36	Lubricant		Turbine Oil (ISO VG32)				
50	Motor Bracket	1	Grey Iron Casting FC150				
52A	Upper Bearing	1	6304ZZC3				

Pump Performance Curve

KTZ33.7-52

Discharge Bore	80 mm
Total Head	20 m
Capacity	0,50 m ³ /min
Motor Output	3,70 kW
Motor Input	4,91 kW
Phase	3
Voltage	400 V
Frequency	50 Hz
Rated Current	7,7 A
Starting Current	58,0 A
Poles	2
Revolution	S.S. 2850 r.p.m.
Starting Method	direct on line
Insulation Class	F

