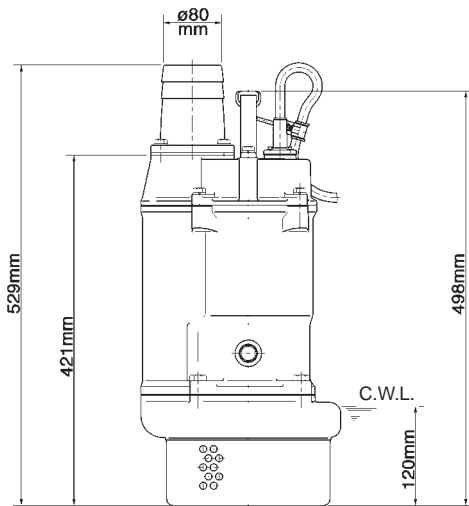
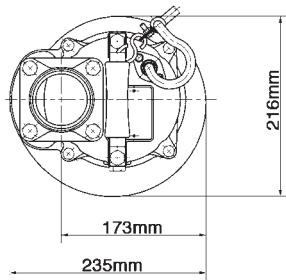
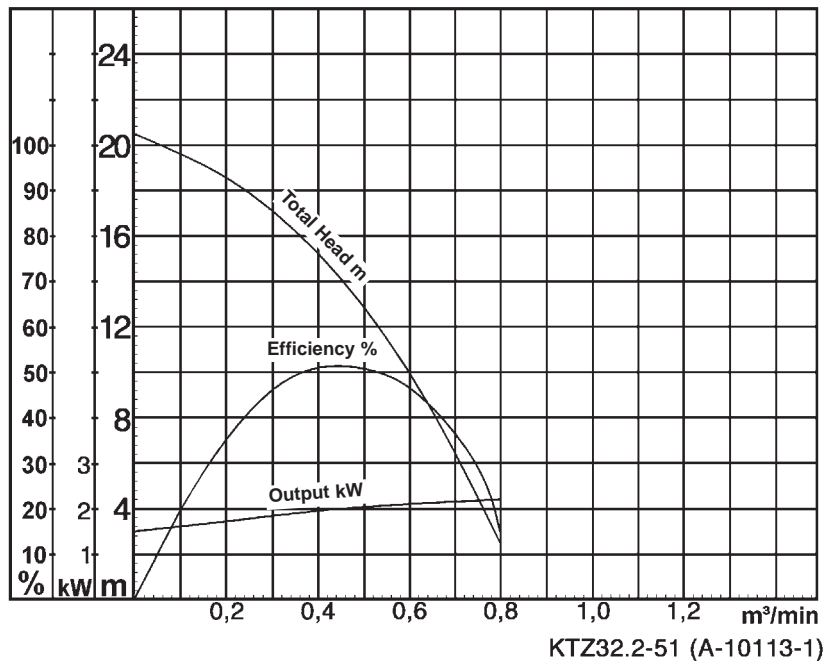


# Data Sheet KTZ32.2-51



C.W.L. = Continuous running water level  
KTZ32.2-51 (A-10127-1)



## Classification

Electric submersible pump  
Protection class IP68  
Depth of submersion max. 50m  
Open type impeller  
Max. solid handling 8,5mm  
Suitable for spring water, rain water, ground water, sand carrying water

## Electric Motor

Dry-type submersible induction motor,  
Insulation class F, 2 poles, 2840 r.p.m.  
Direct on line start  
Voltage: 400V, 50Hz, 3-phase  
Power input: 3,15kW  
Power output: 2,20kW  
Nominal current: 5,0A  
Start current: 34,0A

## Electric Cable

20m H07RN-F 4Cx1,5mm<sup>2</sup>

## Motor Protection

Circle thermal protector  
(snap-action bi-metal device)

## Shaft Seal

Double mechanical seal in oil bath  
additional lubrication by oil lifting device

Primary Seal:

silicon carbide on silicon carbide

Secondary Seal:

silicon carbide on silicon carbide

## Bearings

Shielded ball bearings, maintenance-free

## Materials

Impeller:	Chromium iron casting
Casing:	FC200 (EN-GJL-200)
Suction Cover:	FCD500 (EN-GJS-500-7)
Motor frame:	FC150 (EN-GJL-150)
Shaft:	SUS420J2 (EN-X30Cr13)

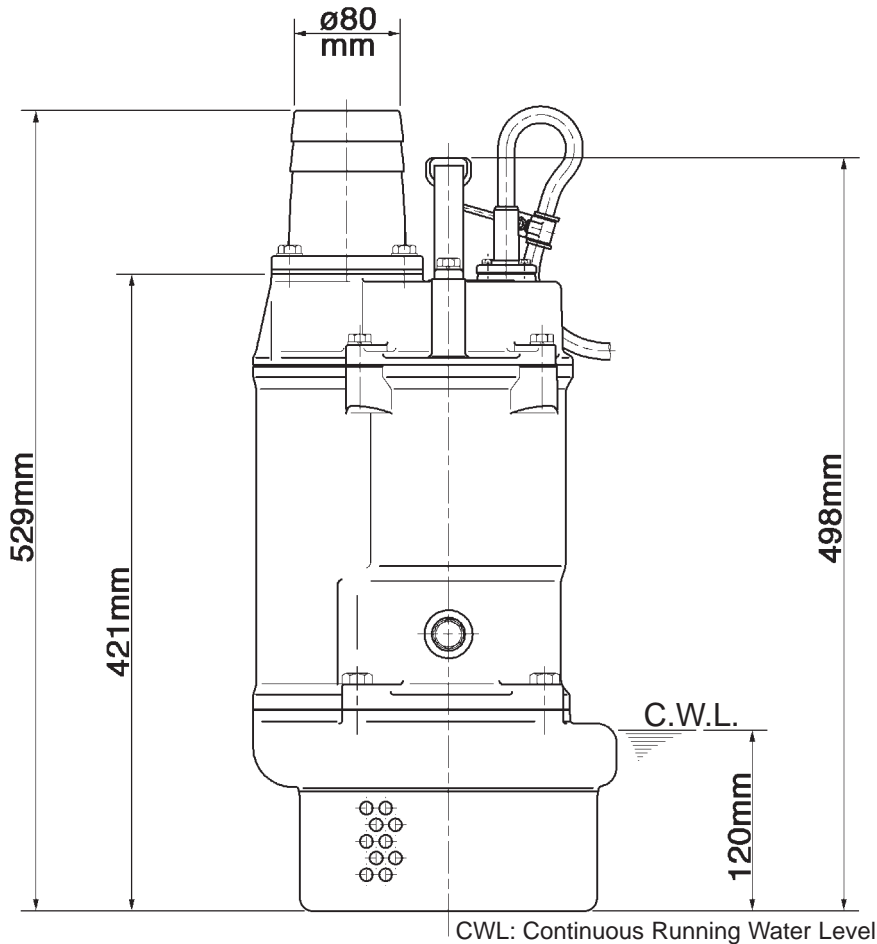
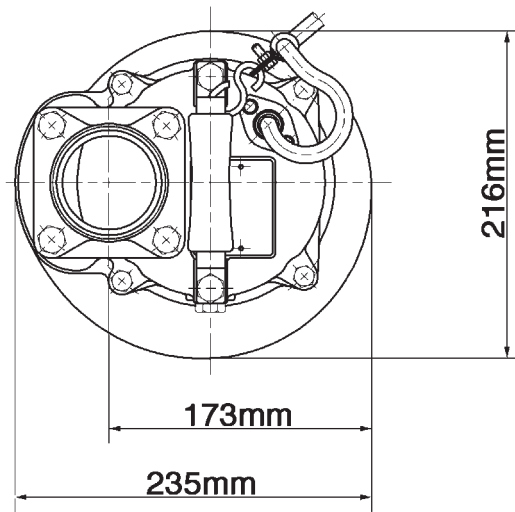
## Discharge Connection

3" (80mm) BS-Coupling (threaded flange)

## Weight

34 kg (dry weight of the pump without cable)

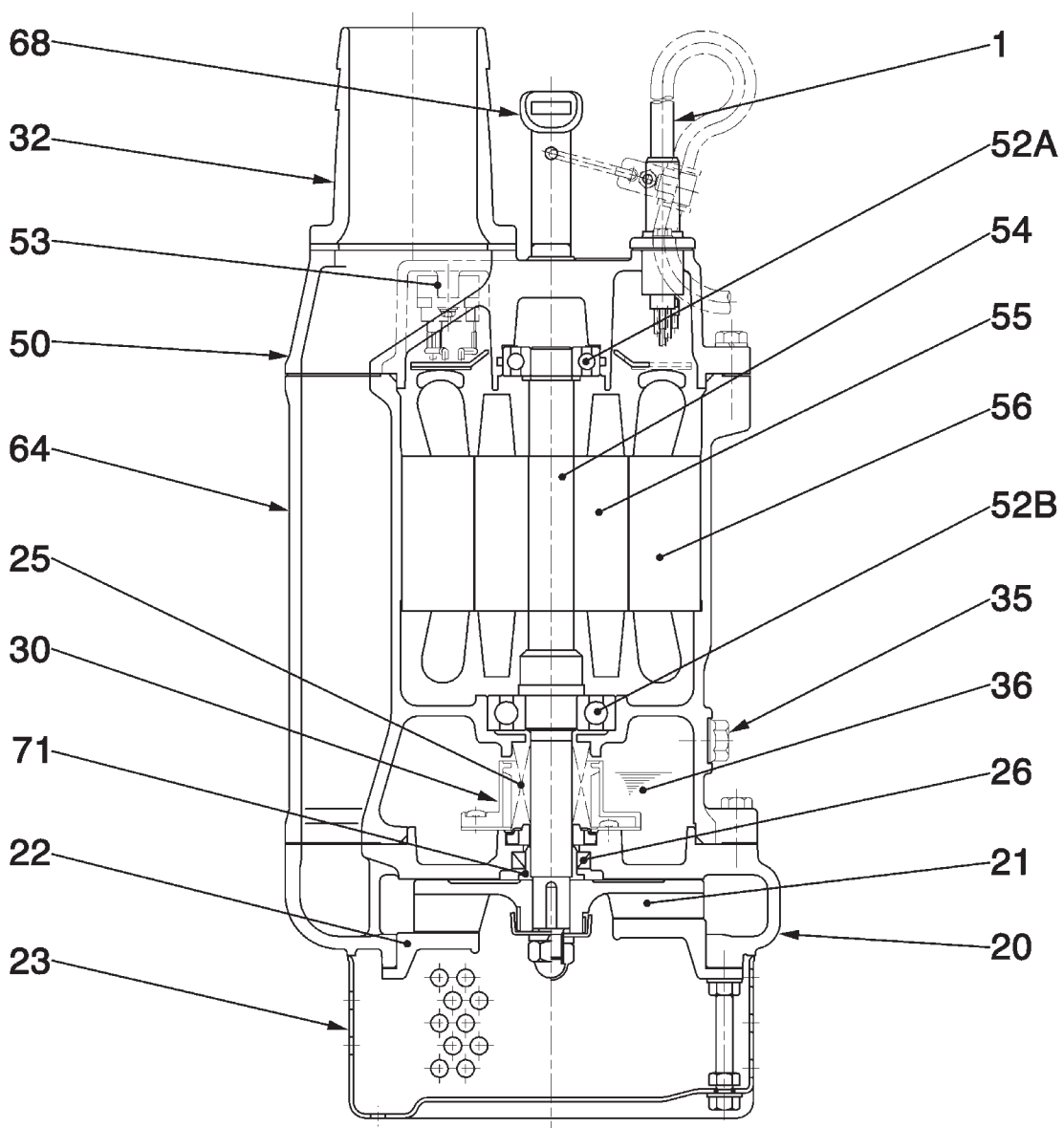
# Dimensional Drawing KTZ32.2-51



CWL: Continuous Running Water Level

**KTZ32.2-51 (A-10127-1)**

# Sectional Drawing KTZ32.2-51



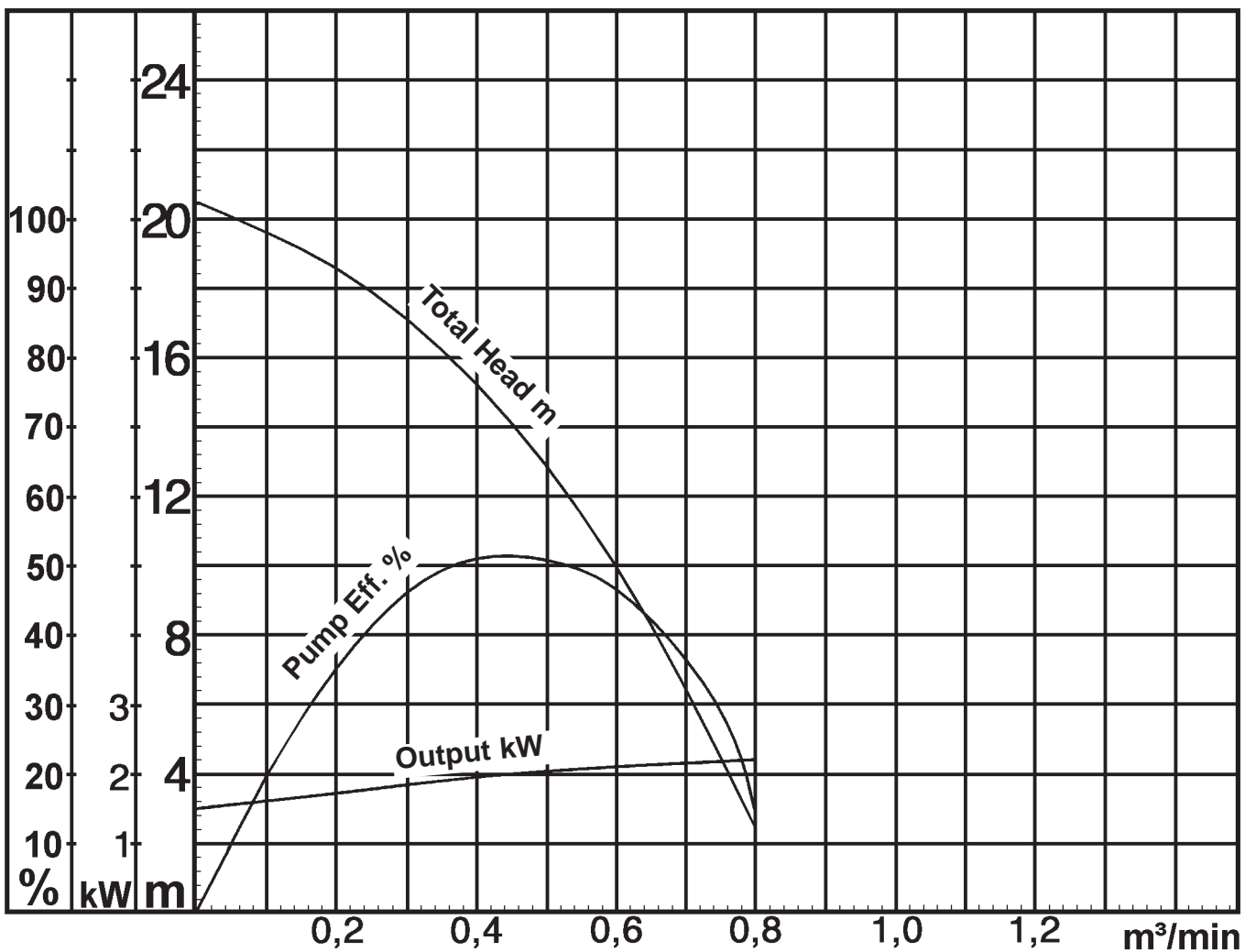
**KTZ32.2-51 (A-1031-1)**

No.	Description	Qty.	Remarks	No.	Description	Qty.	Remarks
1	Cabtyre Cable	1	H07RN-F	53	Motor Protector	1	
20	Pump Casing	1	FC200 (EN-GJL-200)	54	Shaft	1	SUS420J2 (EN-X30Cr13)
21	Impeller	1	Chromium Iron Casting HiCrFC	55	Rotor	1	
22	Suction Cover	1	FCD500 (EN-GJS-500-7)	56	Stator complete	1	
23	Strainer Stand	1	Steel Plate SPCC	64	Motor Frame	1	FC150 (EN-GJL-150)
25	Mechanical Seal	1	H-20T	68	Handle	1	Steel Plate SPCC + Rubber NBR
26	Oil Seal	1	DD25388	71	Shaft Sleeve	1	SUS304 (EN-X5CrNi18-10)
30	Oil Lifter	1	Plastic				
32	Hose Coupling	1	Aluminium Alloy Casting ADC12				
35	Oil Plug	1	SUS304 (EN-X5CrNi18-10)				
36	Lubricant		Turbine Oil (ISO VG32)				
50	Motor Bracket	1	FC150 (EN-GJL-150)				
52A	Upper Bearing	1	6204ZZC3				
52B	Lower Bearing	1	6305ZZC3				

# Pump Performance Curve

## KTZ32.2-51

Discharge Bore	80 mm
Total Head	10 m
Capacity	0,60 m <sup>3</sup> /min
Motor Output	2,20 kW
Motor Input	3,15 kW
Phase	3
Voltage	400 V
Frequency	50 Hz
Rated Current	5,0 A
Starting Current	34 A
Poles	2
Revolution	S.S. 2840 r.p.m.
Starting Method	direct on line
Insulation Class	F



KTZ32.2-51 (A-10113-1)