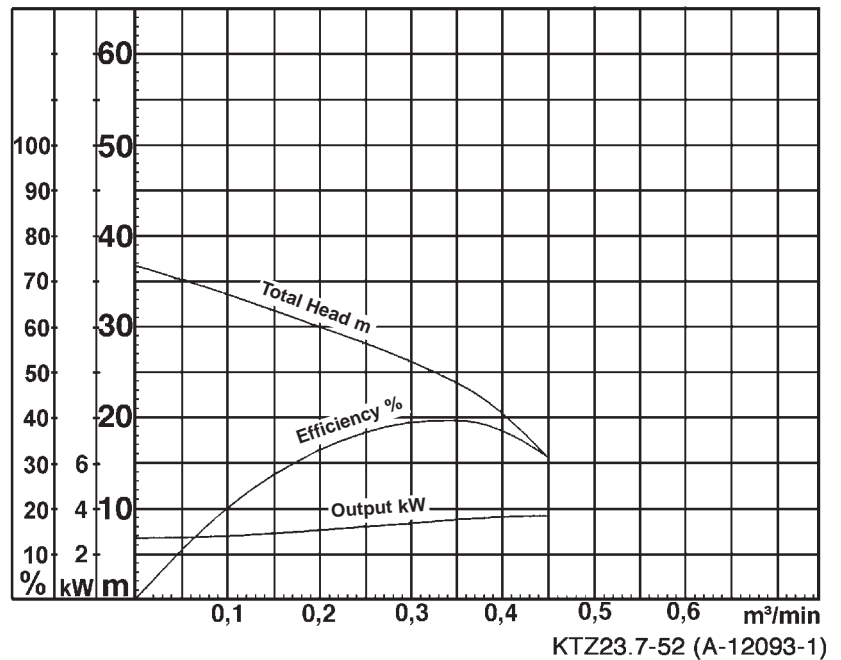
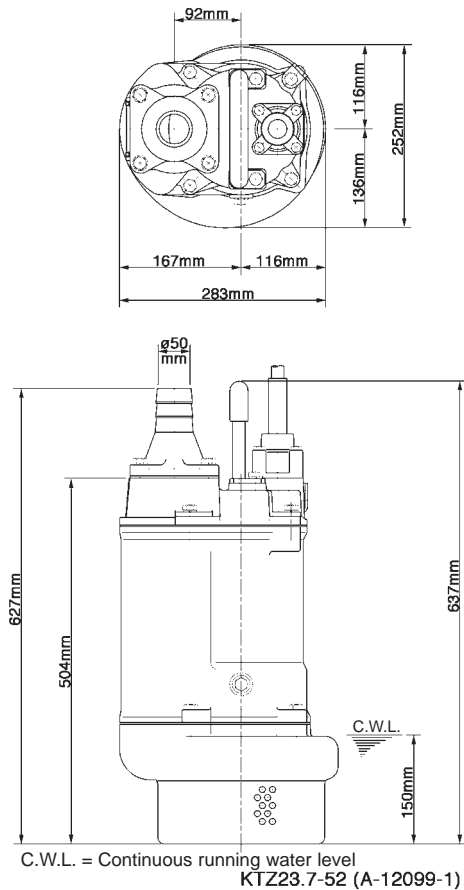


# Data Sheet KTZ23.7-52



KTZ23.7-52 (A-12093-1)

## Classification

Electric submersible pump  
 Protection class IP68  
 Depth of submersion max. 50m  
 Open type impeller  
 Max. solid handling 8,5mm  
 Suitable for spring water, rain water, ground water, sand carrying water

## Electric Motor

Dry-type submersible induction motor,  
 Insulation class F, 2 poles, 2850 r.p.m.  
 Direct on line start  
 Voltage: 400V, 50Hz, 3-phase  
 Power input: 4,91kW  
 Power output: 3,70kW  
 Nominal current: 7,7A  
 Start current: 58,0A

## Electric Cable

20m H07RN-F 4Cx1,5mm<sup>2</sup>

## Motor Protection

Circle thermal protector  
 (snap-action bi-metal device)

## Shaft Seal

Double mechanical seal in oil bath  
 additional lubrication by oil lifting device  
 Primary Seal:  
 silicon carbide on silicon carbide  
 Secondary Seal:  
 silicon carbide on carbon

## Bearings

Shielded ball bearings, maintenance-free

## Materials

Impeller:	Chromium iron casting
Casing:	FC200 (EN-GJL-200)
Suction Cover:	FCD500 (EN-GJS-500-7)
Motor frame:	FC150 (EN-GJL-150)
Shaft:	SUS420J2 (EN-X30Cr13)

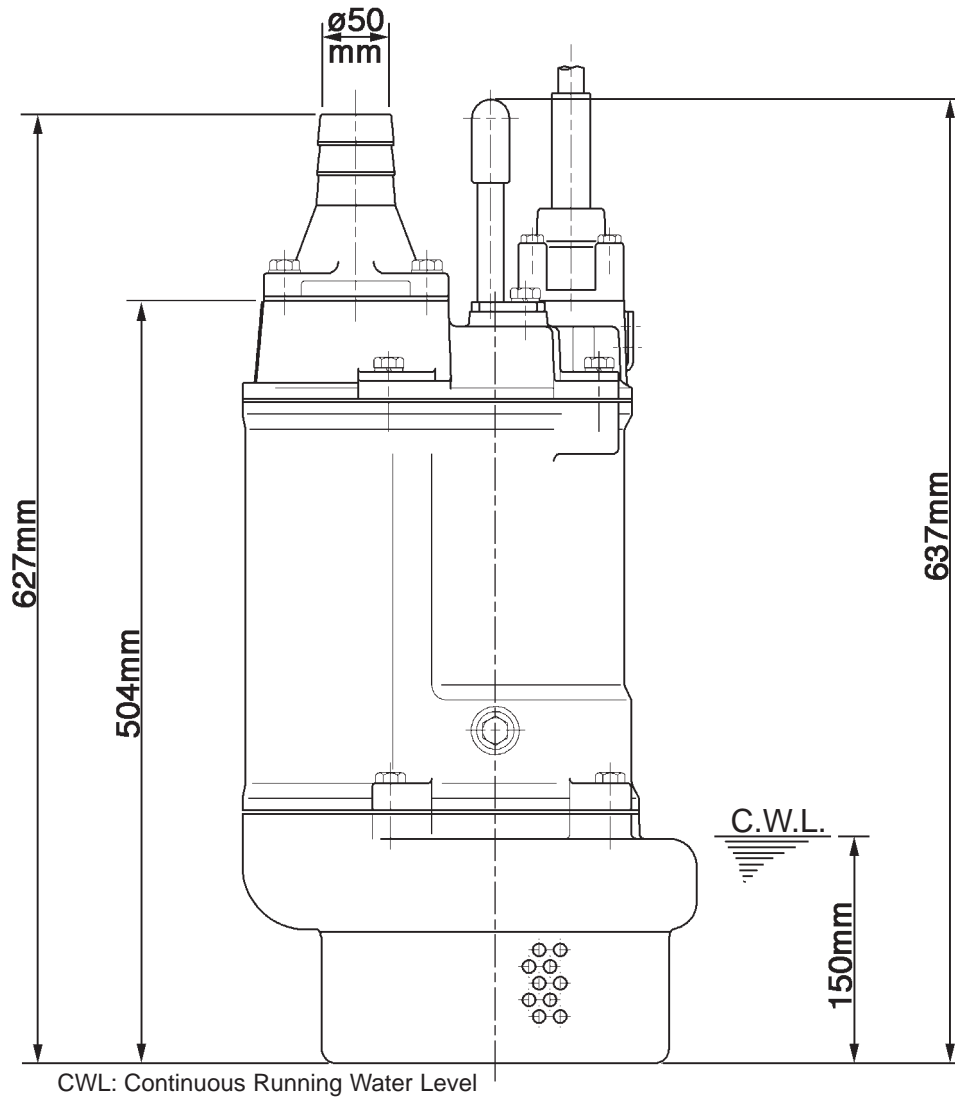
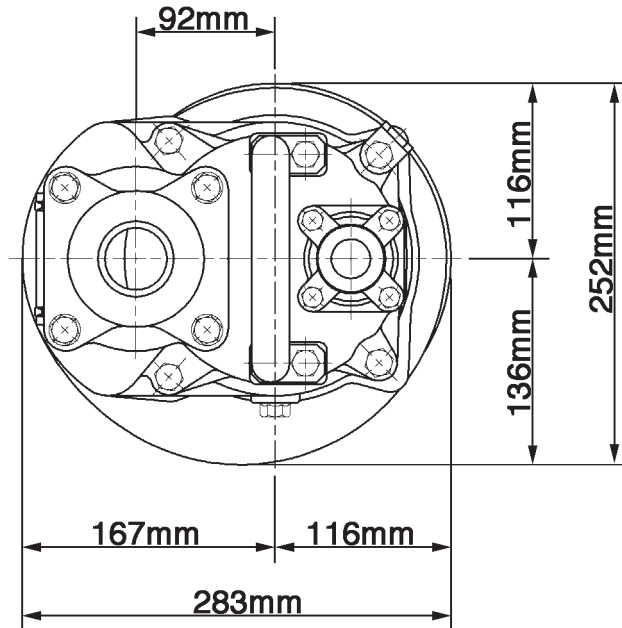
## Discharge Connection

2" (50mm) BS-Coupling (threaded flange)

## Weight

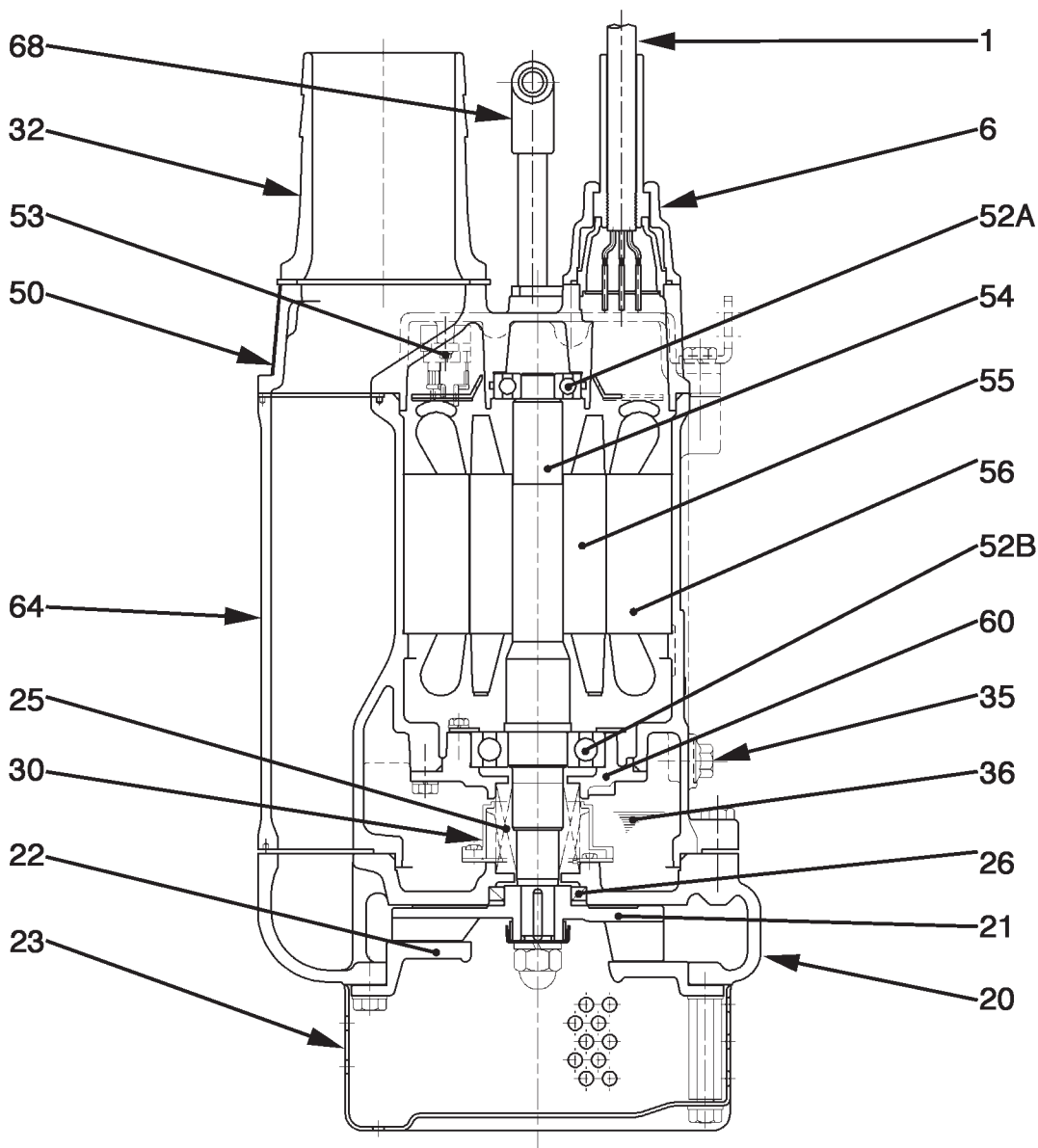
62,5 kg (dry weight of the pump without cable)

# Dimensional Drawing KTZ23.7-52



KTZ23.7-52 (A-12099-1)

# Sectional Drawing KTZ23.7-52



**KTZ23.7-52 (A-12102-1)**

No.	Description	Qty.	Remarks	No.	Description	Qty.	Remarks
1	Cabtyre Cable	1	H07RN-F	52B	Lower Bearing	1	6307ZZC3
6	Stuffing Box	1	FC200 (EN-GJL-200)	53	Motor Protector	1	
20	Pump Casing	1	FC200 (EN-GJL-200)	54	Shaft	1	SUS420J2 (EN-X30Cr13)
21	Impeller	1	Chromium Iron Casting HiCrFC	55	Rotor	1	
22	Suction Cover	1	FCD500 (EN-GJS-500-7)	56	Stator Complete	1	
23	Strainer Stand	1	Steel Plate SPCC	60	Bearing Housing	1	FC150 (EN-GJL-150)
25	Mechanical Seal	1	H-2530	64	Motor Frame	1	FC150 (EN-GJL-150)
26	Oil Seal	1	DD40588	68	Handle	1	Carbon Steel SGP/Structure Steel SS
30	Oil Lifter	1	Plastic				
32	Hose Coupling	1	Aluminium Alloy Casting ADC12				
35	Oil Plug	1	SUS304 (EN-X5CrNi18-10)				
36	Lubricant		Turbine Oil (ISO VG32)				
50	Motor Bracket	1	FC150 (EN-GJL-150)				
52A	Upper Bearing	1	6304ZZC3				

# Pump Performance Curve

## KTZ23.7-52

Discharge Bore	50 mm
Total Head	30 m
Capacity	0,20 m <sup>3</sup> /min
Motor Output	3,70 kW
Motor Input	4,91 kW
Phase	3
Voltage	400 V
Frequency	50 Hz
Rated Current	7,7 A
Starting Current	58,0 A
Poles	2
Revolution	S.S. 2850 r.p.m.
Starting Method	direct on line
Insulation Class	F

