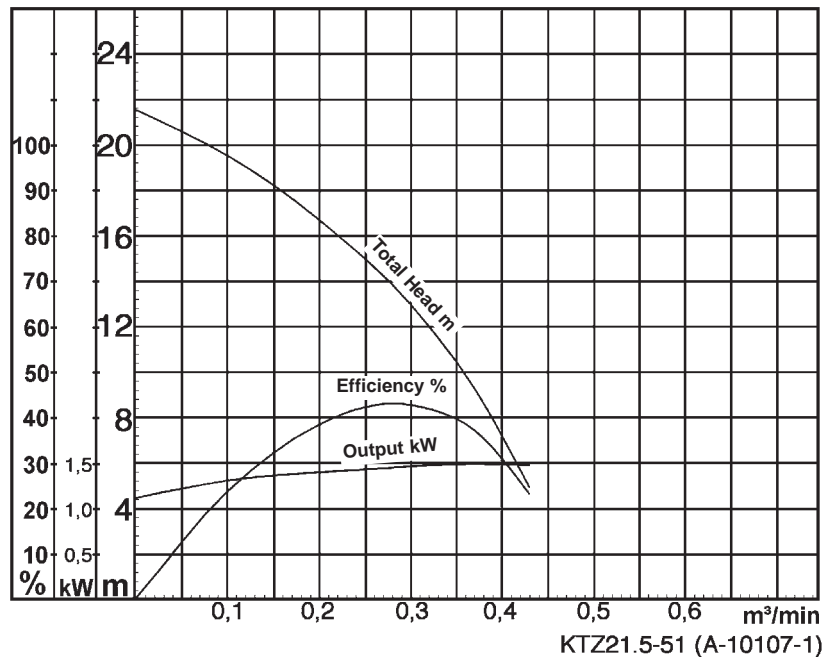
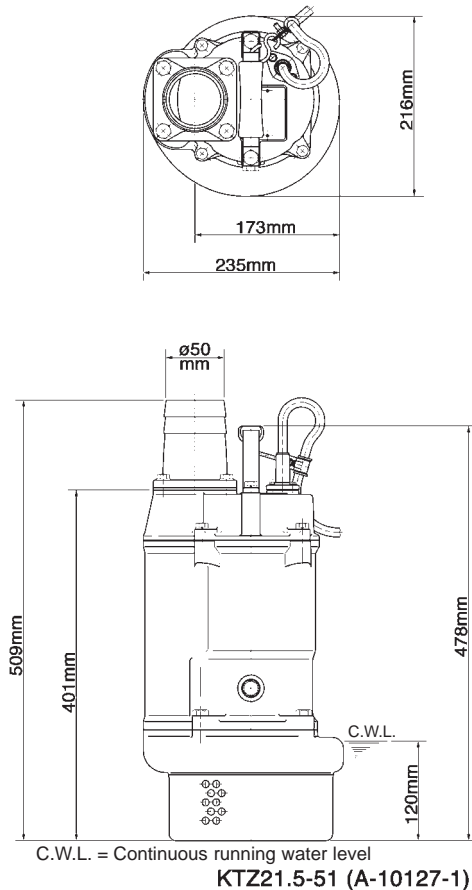


Data Sheet KTZ21.5-51



Classification

Electric submersible pump
Protection class IP68
Depth of submersion max. 50m
Open type impeller
Max. solid handling 8,5mm
Suitable for spring water, rain water, ground water, sand carrying water

Electric Motor

Dry-type submersible induction motor,
Insulation class F, 2 poles, 2840 r.p.m.
Direct on line start
Voltage: 400V, 50Hz, 3-phase
Power input: 2,17kW
Power output: 1,5kW
Nominal current: 3,5A
Start current: 22,0A

Electric Cable

20m H07RN-F 4Cx1,5mm²

Motor Protection

Circle thermal protector
(snap-action bi-metal device)

Shaft Seal

Double mechanical seal in oil bath
additional lubrication by oil lifting device
Primary Seal:
silicon carbide on silicon carbide
Secondary Seal:
silicon carbide on silicon carbide

Bearings

Shielded ball bearings, maintenance-free

Materials

Impeller:	Chromium iron casting
Casing:	FC200 (EN-GJL-200)
Suction Cover:	FCD500 (EN-GJS-500-7)
Motor frame:	FC150 (EN-GJL-150)
Shaft:	SUS420J2 (EN-X30Cr13)

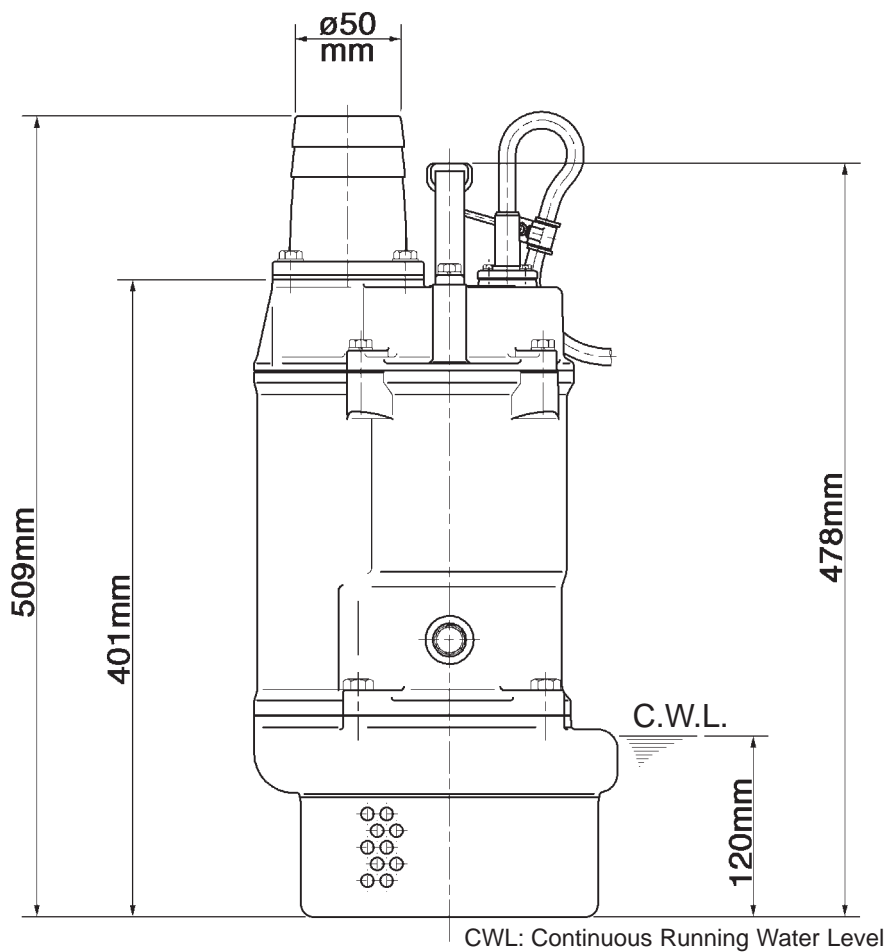
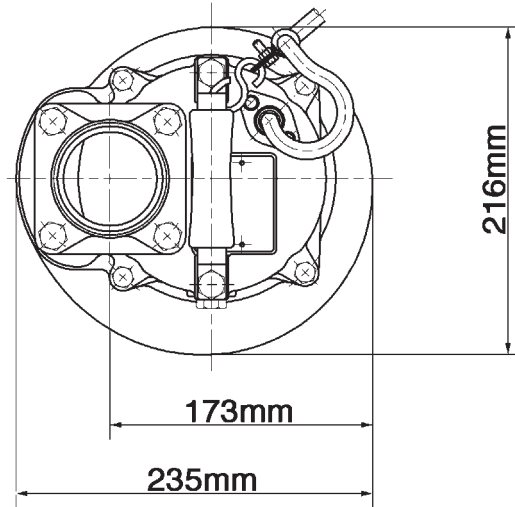
Discharge Connection

2" (50mm) BS-Coupling (threaded flange)

Weight

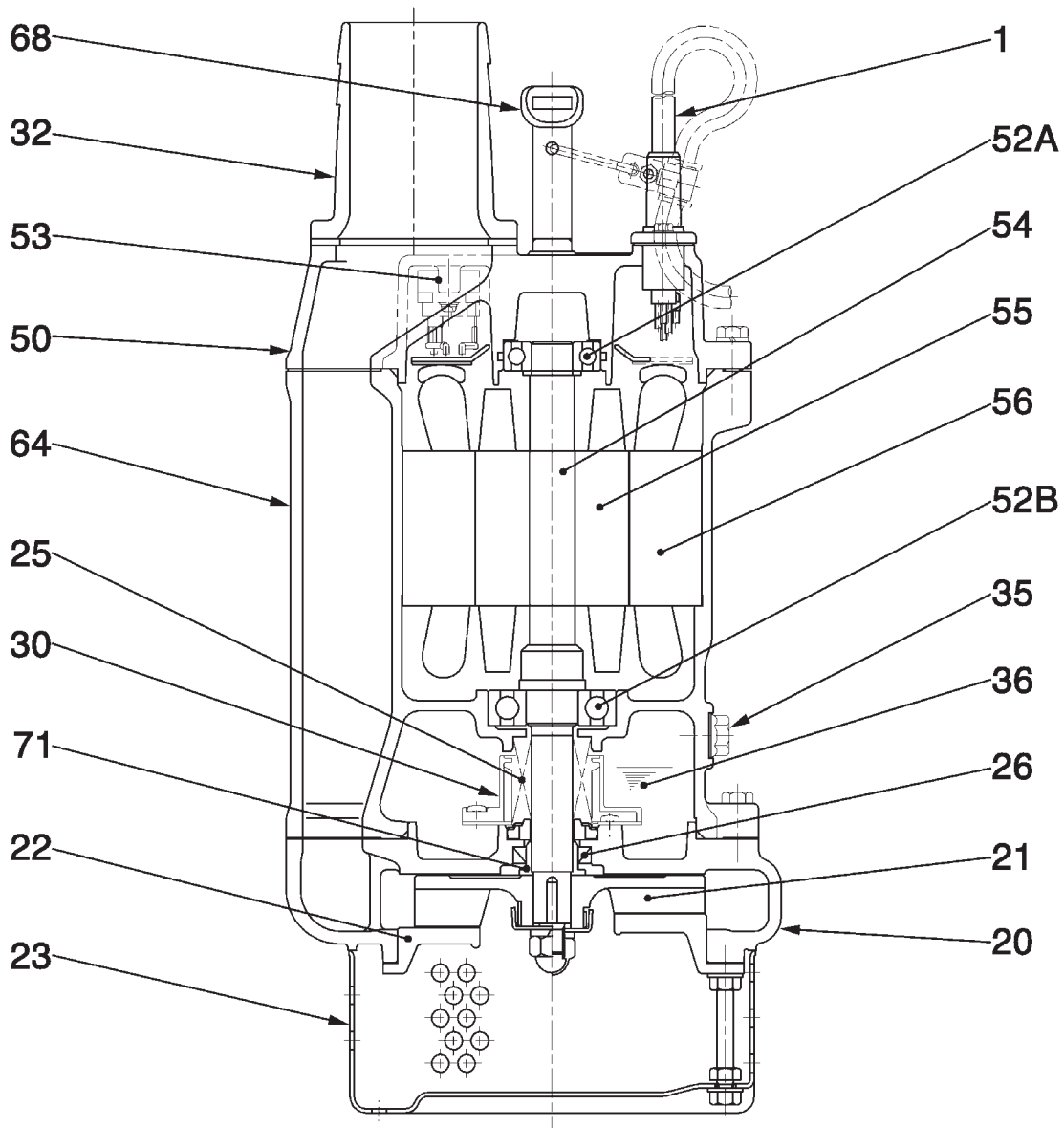
30 kg (dry weight of the pump without cable)

Dimensional Drawing KTZ21.5-51



CWL: Continuous Running Water Level
KTZ21.5-51 (A-10127-1)

Sectional Drawing KTZ21.5-51



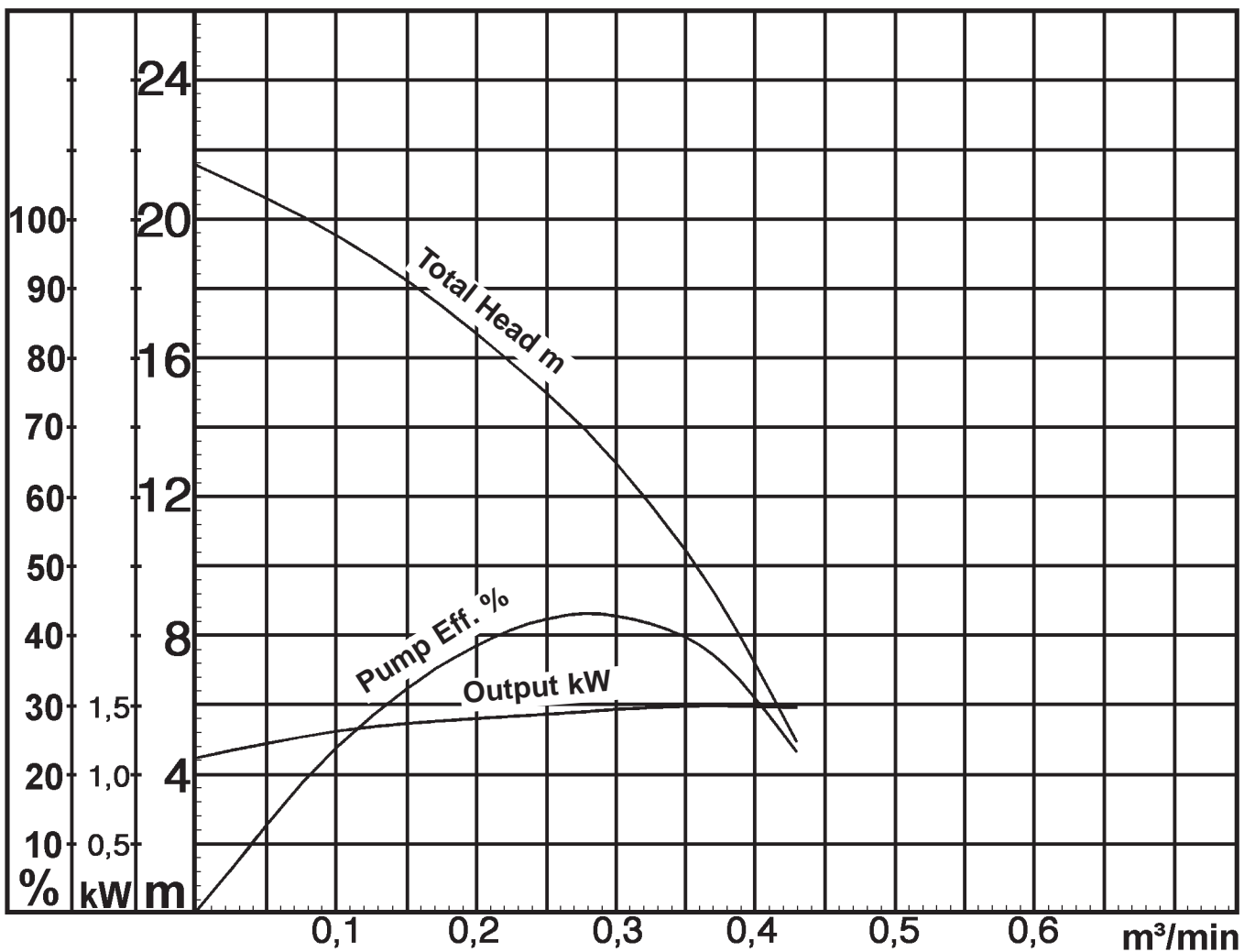
KTZ21.5-51 (A-1031-1)

No.	Description	Qty.	Remarks	No.	Description	Qty.	Remarks
1	Cable	1	H07RN-F	53	Motor Protector	1	
20	Pump Casing	1	FC200 (EN-GJL-200)	54	Shaft	1	SUS420J2 (EN-X30Cr13)
21	Impeller	1	Chromium Iron Casting HiCrFC	55	Rotor	1	
22	Suction Cover	1	FCD500 (EN-GJS-500-7)	56	Stator complete	1	
23	Strainer Stand	1	Steel Plate SPCC	64	Motor Frame	1	FC150 (EN-GJL-150)
25	Mechanical Seal	1	H-20T	68	Handle	1	Steel Plate SPCC + Rubber NBR
26	Oil Seal	1	DD25388	71	Shaft Sleeve	1	SUS304 (EN-X5CrNi18-10)
30	Oil Lifter	1	Plastic				
32	Hose Coupling	1	Aluminium Alloy Casting ADC12				
35	Oil Plug	1	SUS304 (EN-X5CrNi18-10)				
36	Lubricant		Turbine Oil (ISO VG32)				
50	Motor Bracket	1	FC150 (EN-GJL-150)				
52A	Upper Bearing	1	6204ZZC3				
52B	Lower Bearing	1	6305ZZC3				

Pump Performance Curve

KTZ21.5-51

Discharge Bore	50 mm
Total Head	15 m
Capacity	0,25 m ³ /min
Motor Output	1,50 kW
Motor Input	2,17 kW
Phase	3
Voltage	400 V
Frequency	50 Hz
Rated Current	3,5 A
Starting Current	22,0 A
Poles	2
Revolution	S.S. 2840 r.p.m.
Starting Method	direct on line
Insulation Class	F



KTZ21.5-51 (A-10107-1)