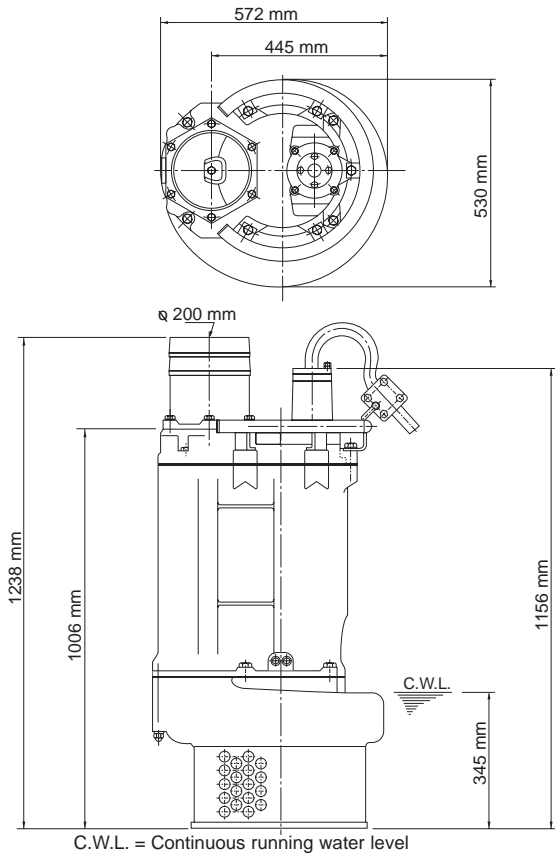
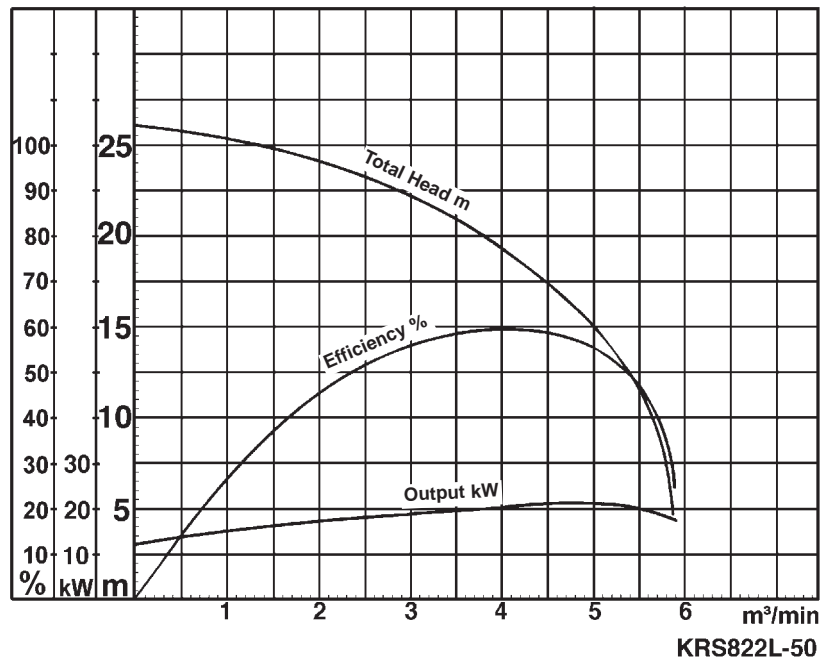


# Data Sheet KRS822L-50



C.W.L. = Continuous running water level

KRS822L



KRS822L-50

## Classification

Electric submersible pump  
 Protection class IP68  
 Depth of submersion max. 40m  
 Open type impeller  
 Max. solid handling 25mm  
 Suitable for rain water, ground water, sand carrying water

## Electric Motor

Dry-type submersible induction motor,  
 Insulation class F, 4 poles, 1470 r.p.m.  
 Direct on line start  
 Voltage: 400V, 50Hz, 3-phase  
 Power input: 25,4kW  
 Power output: 22,0kW  
 Nominal current: 42,0A  
 Start current: 325,0A

## Electric Cable

20mH07RN-F4Cx10mm<sup>2</sup>

## Motor Protection

Circle thermal protector  
 (snap-action bi-metal device)

## Shaft Seal

Double mechanical seal in oil bath  
 additional lubrication by oil lifting device  
 Primary Seal:  
 silicon carbide on silicon carbide  
 Secondary Seal:  
 silicon carbide on silicon carbide

## Bearings

Shielded ball bearings, maintenance-free

## Materials

Impeller:	FCD700 (EN-GJS-700-2)
Casing:	FC200 (EN-GJL-200)
Suction Cover:	FC200 (EN-GJL-200)
Motor frame:	FC200 (EN-GJL-200)
Shaft:	SUS420J2 (EN-X30Cr13)

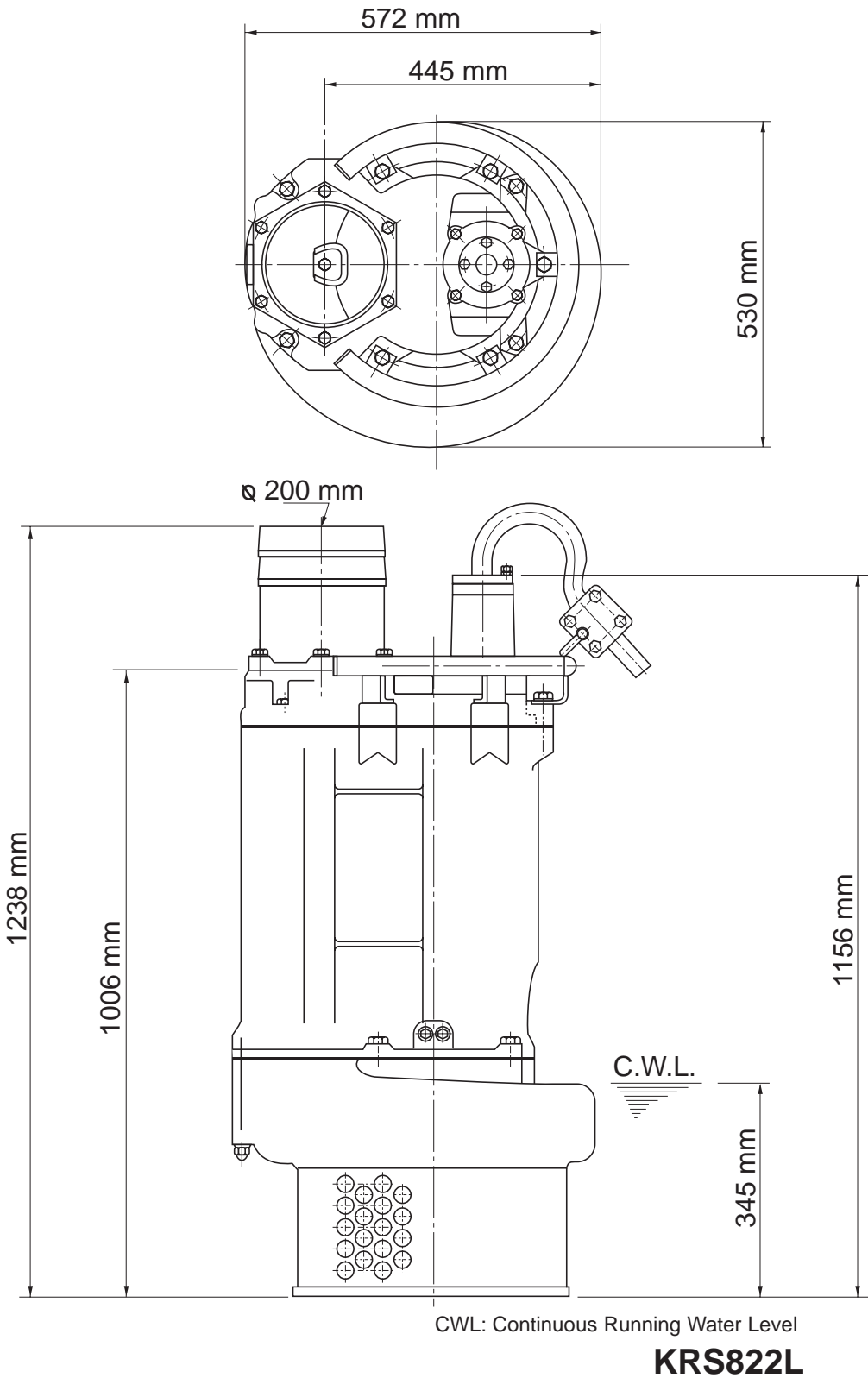
## Discharge Connection

8" (200mm) hose coupling

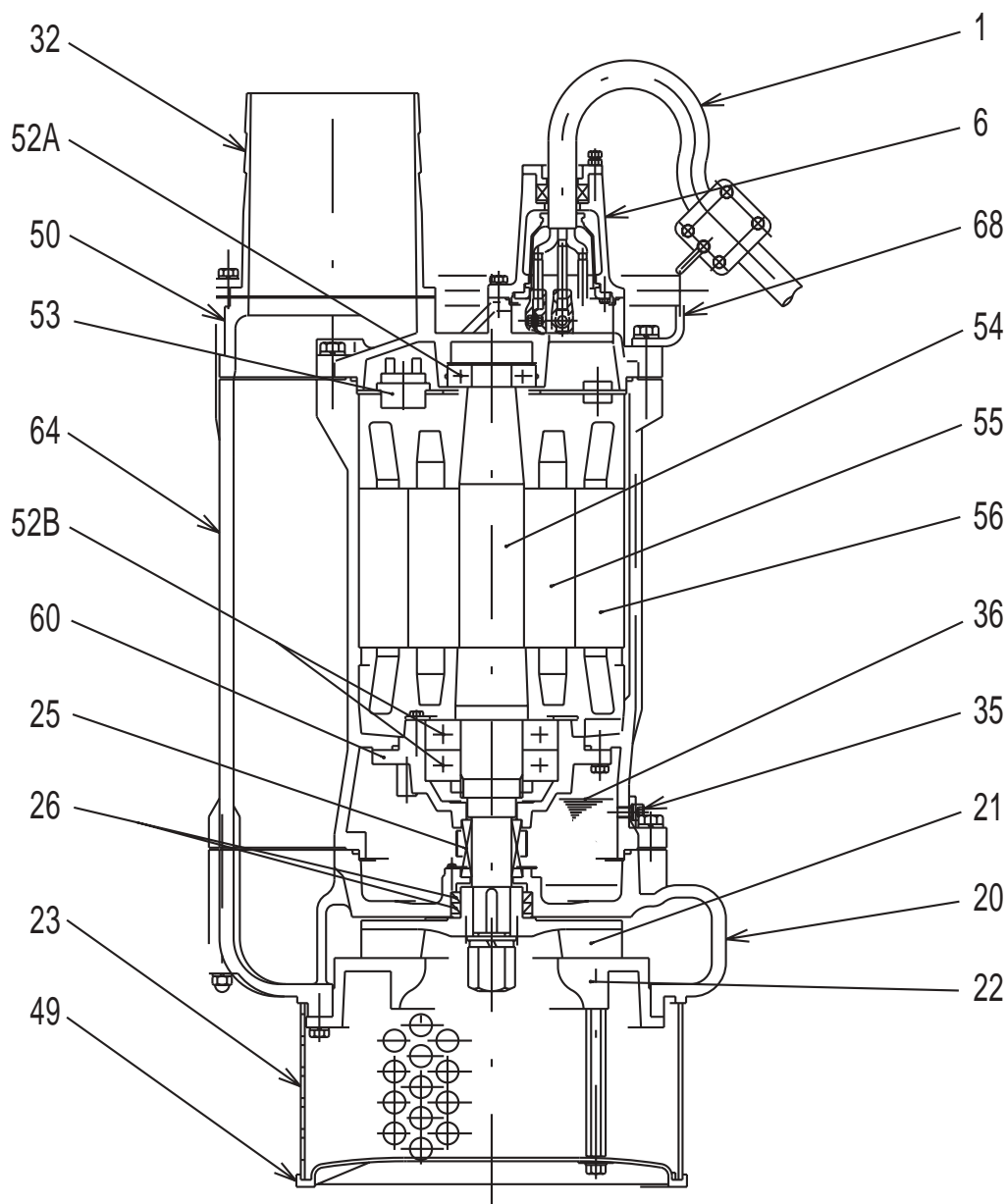
## Weight

390 kg (dry weight of the pump without cable)

# Dimensional Drawing KRS822L-50



# Sectional Drawing KRS822L-50



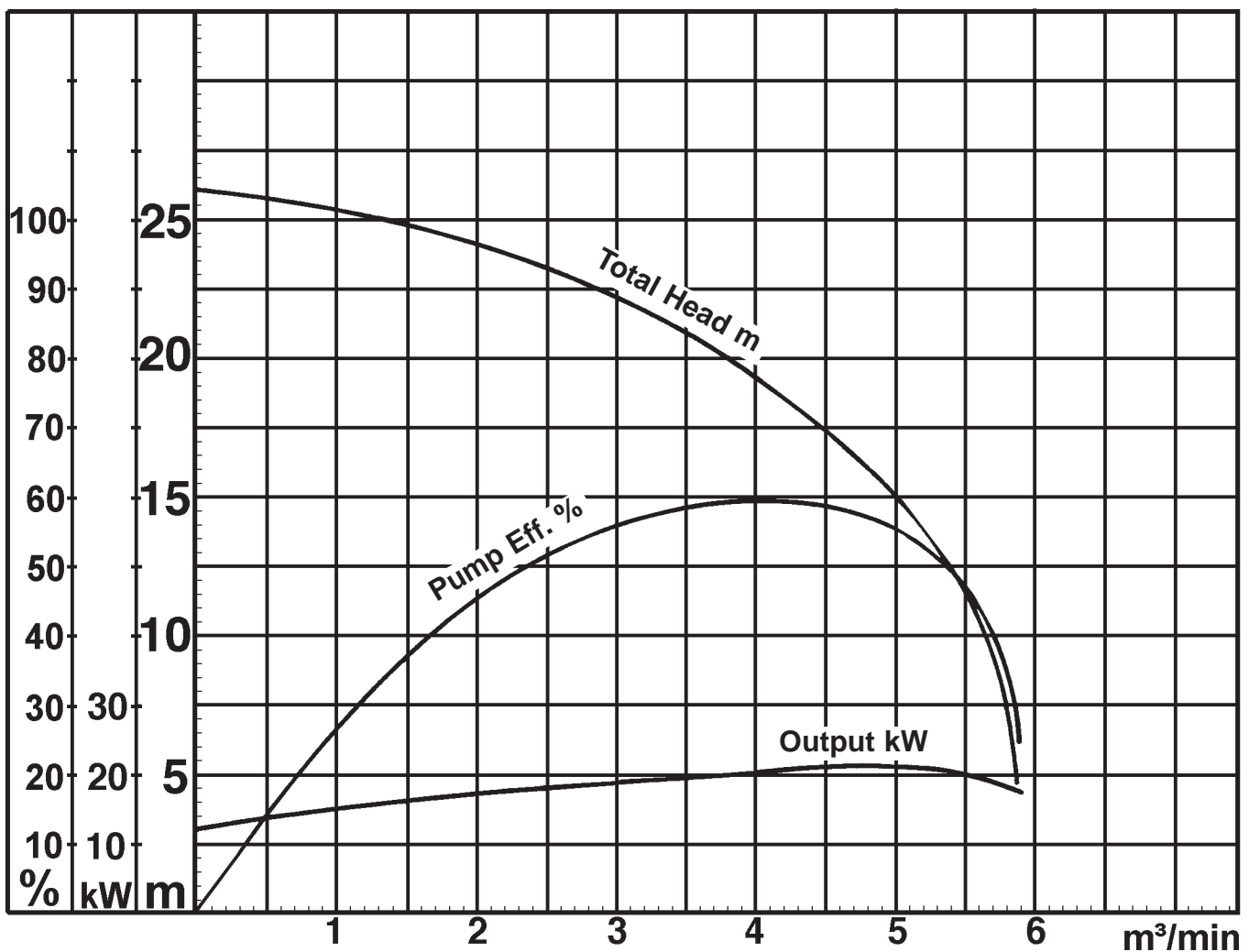
**KRS822L**

No.	Description	Qty.	Remarks	No.	Description	Qty.	Remarks
1	Cabtyre Cable	1	20m 4Cx22mm <sup>2</sup>	52B	Lower Bearing	1	6314ZZC3
6	Stuffing Box	1	FC200 (EN-GJL-200)	53	Motor Protector	1	
20	Pump Casing	1	FC200 (EN-GJL-200)	54	Shaft	1	SUS420J2 (EN-X30Cr13)
21	Impeller	1	FCD700 (EN-GJS-700-2)	55	Rotor	1	
22	Suction Cover	1	FC200 (EN-GJL-200)	56	Stator Complete	1	
23	Strainer	1	Steel Plate	60	Bearing Housing	1	FC200 (EN-GJL-200)
25	Mechanical Seal	1	H-45	64	Motor Frame	1	FC200 (EN-GJL-200)
26	Oil Seal	1	TC-709212	68	Handle	1	Galvanized Steel Pipe
32	Hose Coupling	1	FC200 (EN-GJL-200)				
35	Oil Plug	1	SUS304 (EN-X5CrNi18-10)				
36	Lubricant		Turbine Oil (ISO VG32)				
49	Bottom Plate	1	FCD (EN-GJS)				
50	Motor Bracket	1	FC200 (EN-GJL-200)				
52A	Upper Bearing	1	6309ZZC3				

# Pump Performance Curve

## KRS822L-50

Discharge Bore	200 mm
Total Head	15 m
Capacity	5,0 m <sup>3</sup> /min
Motor Output	22,0 kW
Motor Input	25,4 kW
Phase	3
Voltage	400 V
Frequency	50 Hz
Rated Current	42,0 A
Starting Current	325,0 A
Poles	4
Revolution	S.S. 1470 r.p.m.
Starting Method	direct on line
Insulation Class	F



KRS822L-50