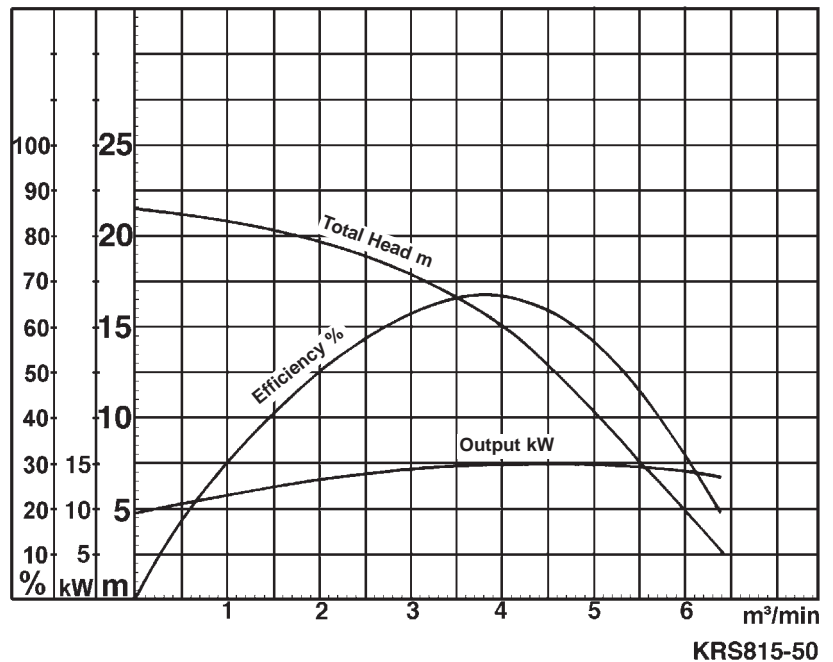
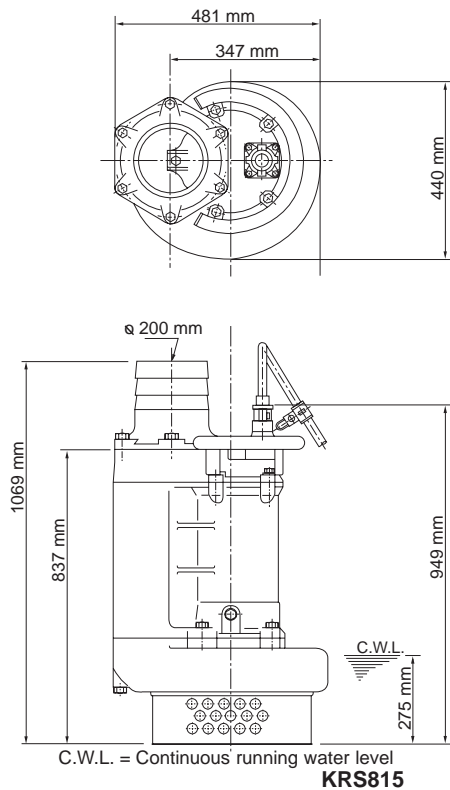


Data Sheet KRS815-50



Classification

Electric submersible pump
Protection class IP68
Depth of submersion max. 40m
Open type impeller
Max. solid handling 25mm
Suitable for rain water, ground water, sand carrying water

Electric Motor

Dry-type submersible induction motor,
Insulation class F, 4 poles, 1458 r.p.m.
Direct on line start
Voltage: 400V, 50Hz, 3-phase
Power input: 17,4kW
Power output: 15,0kW
Nominal current: 29,0A
Start current: 184,0A

Electric Cable

20m H07RN-F4Cx6mm²

Motor Protection

Circle thermal protector
(snap-action bi-metal device)

Shaft Seal

Double mechanical seal in oil bath
additional lubrication by oil lifting device
Primary Seal:
silicon carbide on silicon carbide
Secondary Seal:
silicon carbide on silicon carbide

Bearings

Shielded ball bearings, maintenance-free

Materials

Impeller:	FCD700 (EN-GJS-700-2)
Casing:	FC200 (EN-GJL-200)
Suction Cover:	FC200 (EN-GJL-200)
Motor frame:	FC200 (EN-GJL-200)
Shaft:	SUS420J2 (EN-X30Cr13)

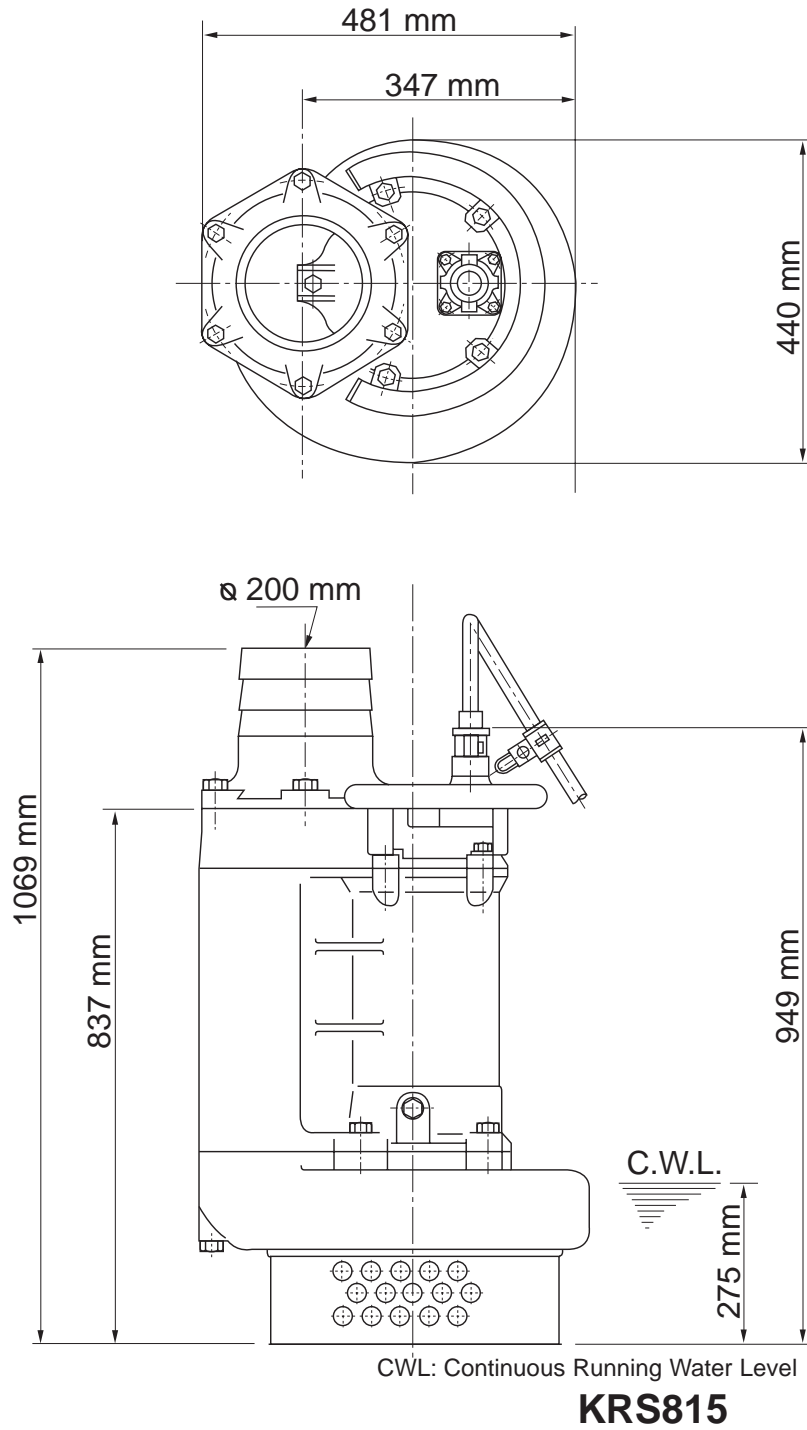
Discharge Connection

8" (200mm) hose coupling

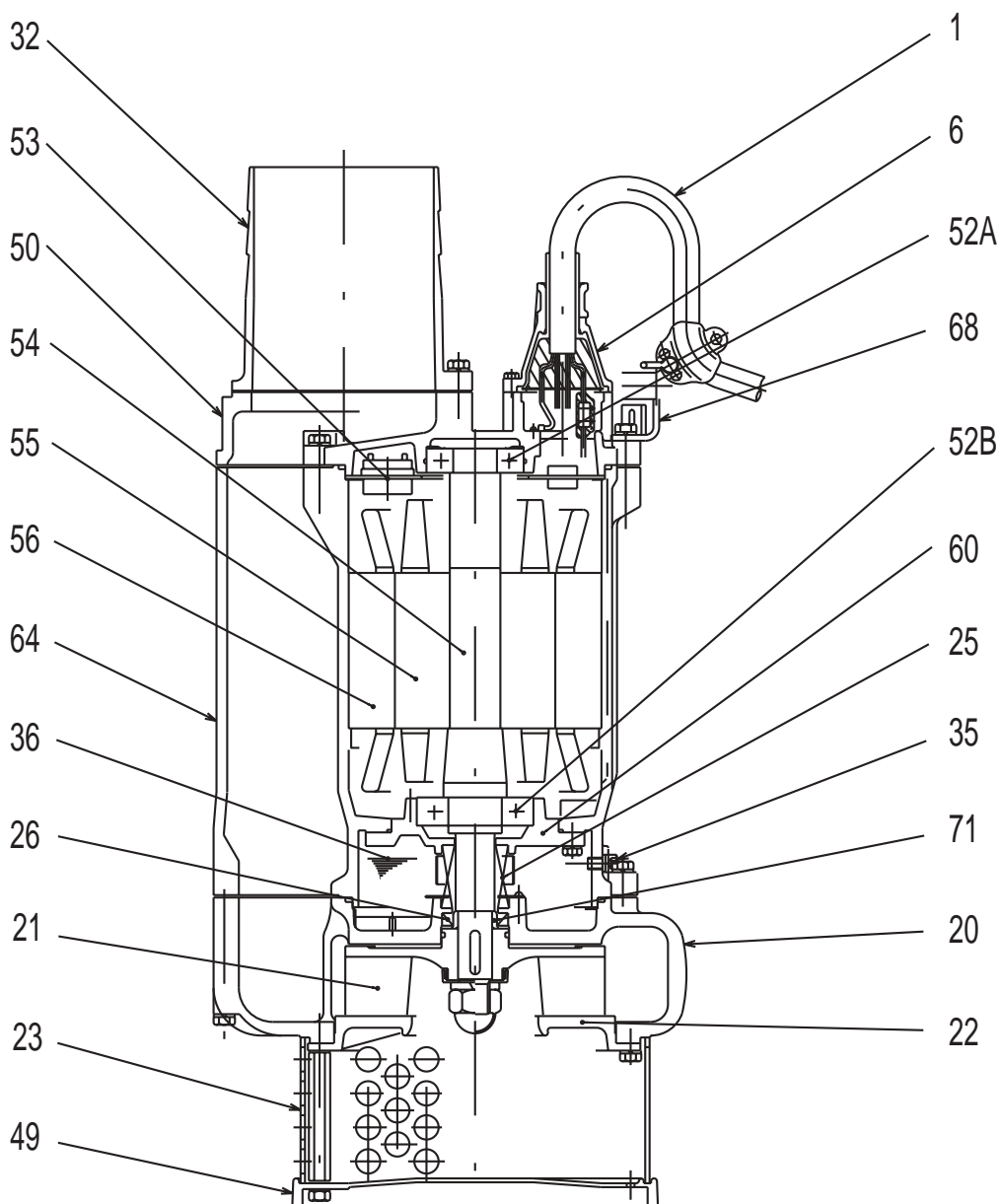
Weight

235 kg (dry weight of the pump without cable)

Dimensional Drawing KRS815-50



Sectional Drawing KRS815-50



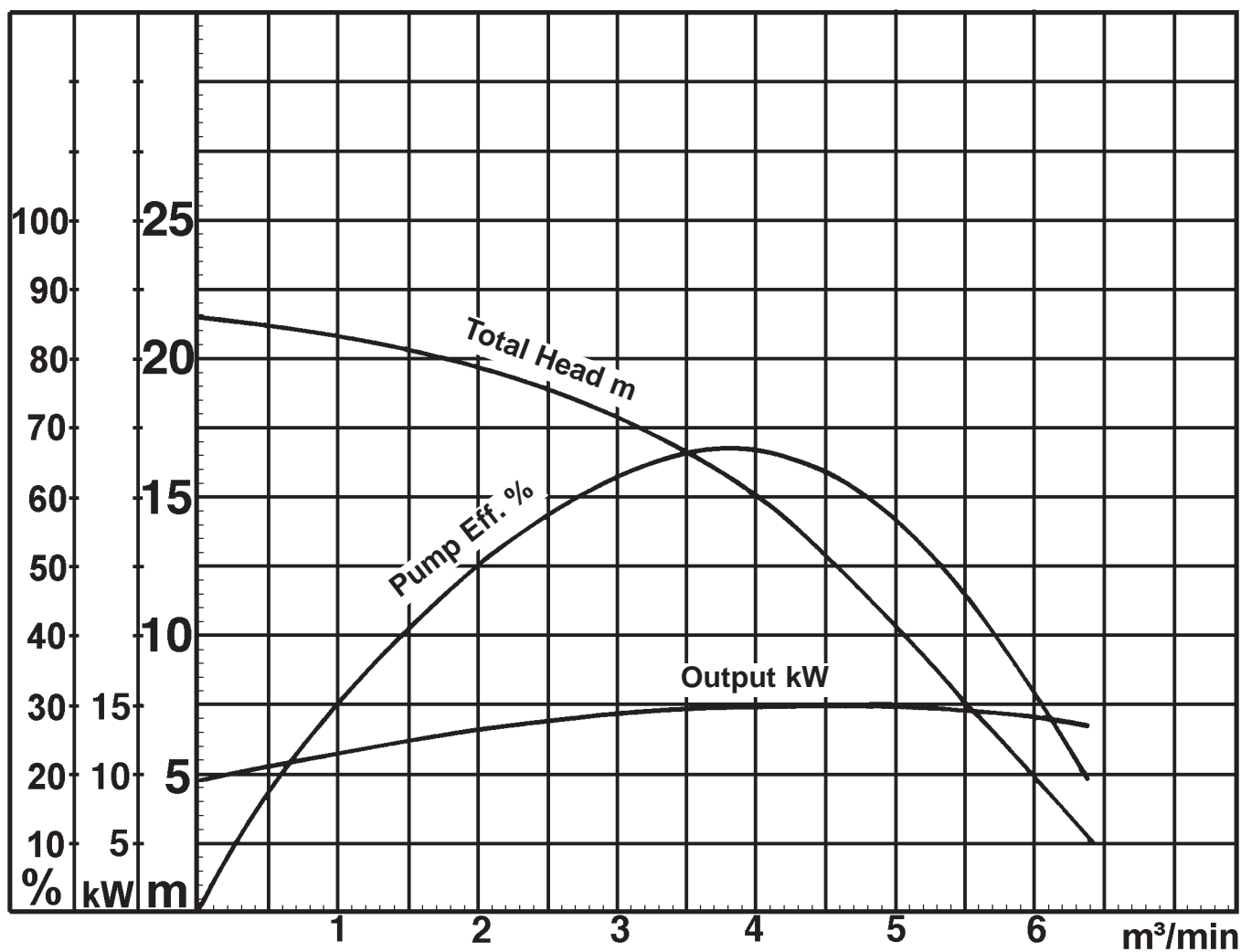
KRS815

No.	Description	Qty.	Remarks	No.	Description	Qty.	Remarks
1	Cabtyre Cable	1	20m 4Cx8mm ²	52B	Lower Bearing	1	6311ZZC3
6	Stuffing Box	1	FC200 (EN-GJL-200)	53	Motor Protector	1	
20	Pump Casing	1	FC200 (EN-GJL-200)	54	Shaft	1	SUS420J2 (EN-X30CR13)
21	Impeller	1	FCD700 (EN-GJS-700-2)	55	Rotor	1	
22	Suction Cover	1	FC200 (EN-GJL-200)	56	Stator Complete	1	
23	Strainer	1	Steel Plate	60	Bearing Housing	1	FC200 (EN-GJL-200)
25	Mechanical Seal	1	H-40	64	Motor Frame	1	FC200 (EN-GJL-200)
26	Oil Seal	1	TC-456812	68	Handle	1	Galvanized Steel Pipe
32	Hose Coupling	1	FC200 (EN-GJL-200)	71	Shaft Sleeve	1	SUS403 (EN-X6CR13)
35	Oil Plug	1	SUS304 (EN-X5CrNi18-10)				
36	Lubricant		Turbine Oil (ISO VG32)				
49	Bottom Plate	1	Steel Plate				
50	Motor Bracket	1	FC200 (EN-GJL-200)				
52A	Upper Bearing	1	6309ZZC3				

Pump Performance Curve

KRS815-50

Discharge Bore	200 mm
Total Head	15 m
Capacity	4,0 m ³ /min
Motor Output	15,0 kW
Motor Input	17,4 kW
Phase	3
Voltage	400 V
Frequency	50 Hz
Rated Current	29,0 A
Starting Current	184,0 A
Poles	4
Revolution	S.S. 1458 r.p.m.
Starting Method	direct on line
Insulation Class	F



KRS815-50