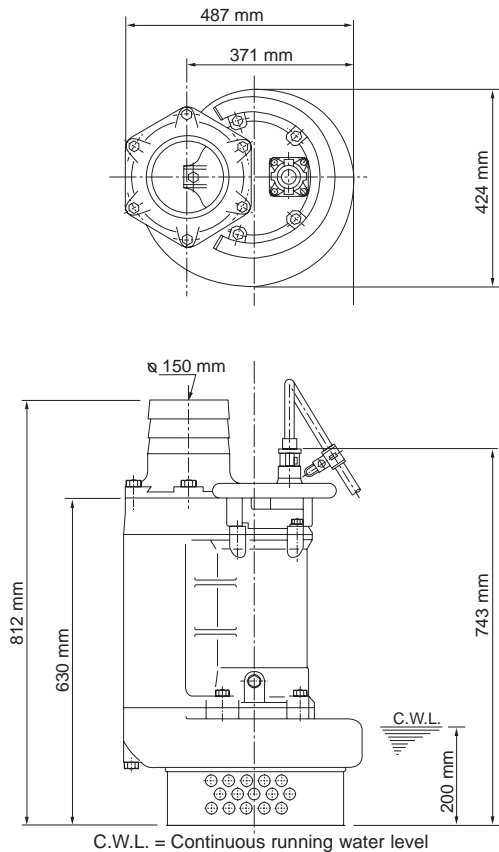
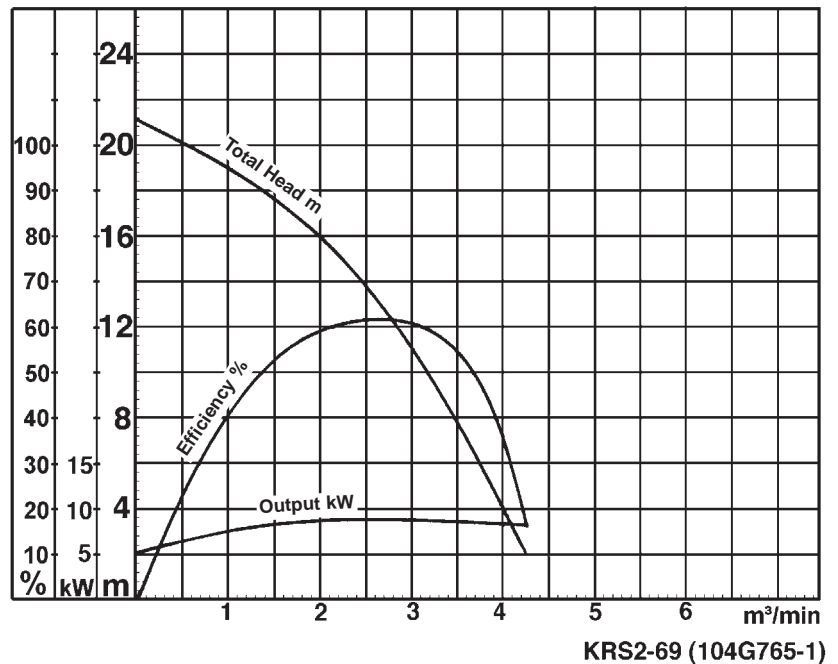


Data Sheet KRS2-69



KRS2-69



KRS2-69 (104G765-1)

Classification

Electric submersible pump
 Protection class IP68
 Depth of submersion max. 30m
 Open type impeller
 Max. solid handling 20mm
 Suitable for rain water, ground water, sand carrying water

Electric Motor

Dry-type submersible induction motor,
 Insulation class B, 4 poles, 1440 r.p.m.
 Direct on line start
 Voltage: 400V, 50Hz, 3-phase
 Power input: 10,9kW
 Power output: 9,0kW
 Nominal current: 19,0A
 Start current: 130,0A

Electric Cable

20m H07RN-F 4Cx4mm²

Motor Protection

Circle thermal protector
 (snap-action bi-metal device)

Shaft Seal

Double mechanical seal in oil bath
 additional lubrication by oil lifting device
 Primary Seal:
 silicon carbide on silicon carbide
 Secondary Seal:
 silicon carbide on silicon carbide

Bearings

Shielded ball bearings, maintenance-free

Materials

Impeller: FCD700 (EN-GJS-700-2)
 Casing: FC200 (EN-GJL-200)
 Suction Cover: FC200 (EN-GJL-200)
 Motor frame: FC150 (EN-GJL-150)
 Shaft: SUS420J2 (EN-X30Cr13)

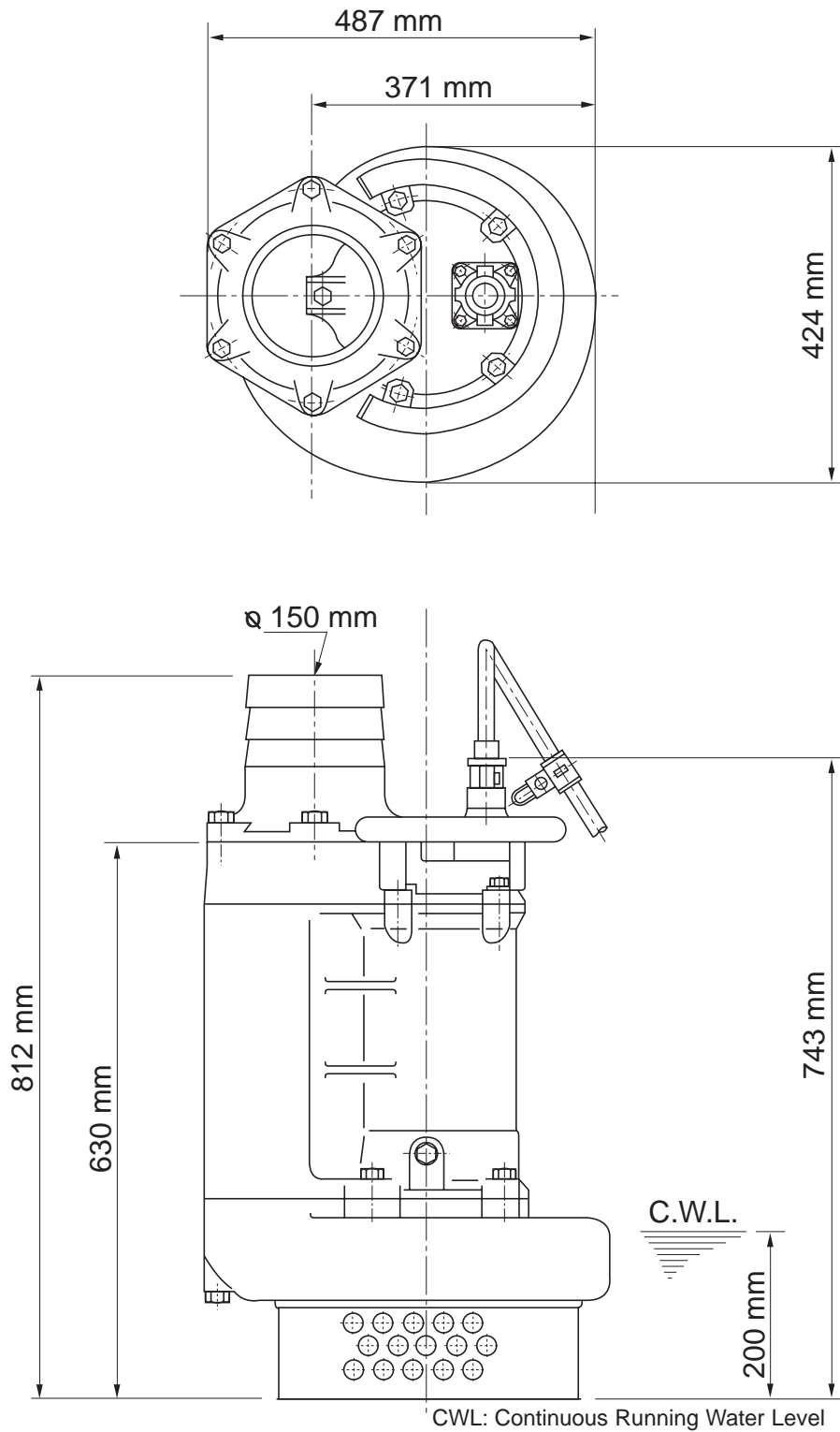
Discharge Connection

6" (150mm) hose coupling

Weight

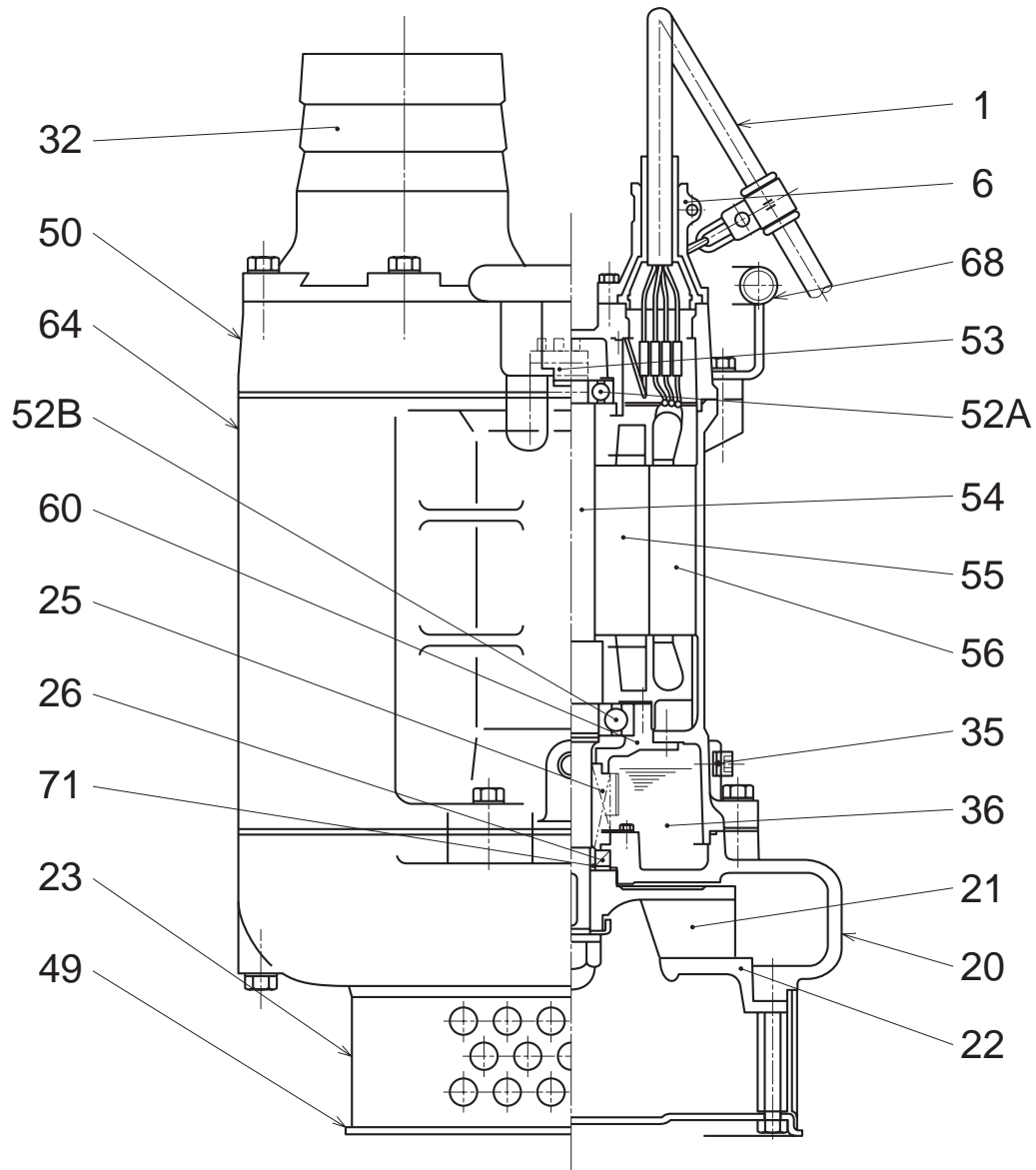
155 kg (dry weight of the pump without cable)

Dimensional Drawing KRS2-69



KRS2-69

Sectional Drawing KRS2-69



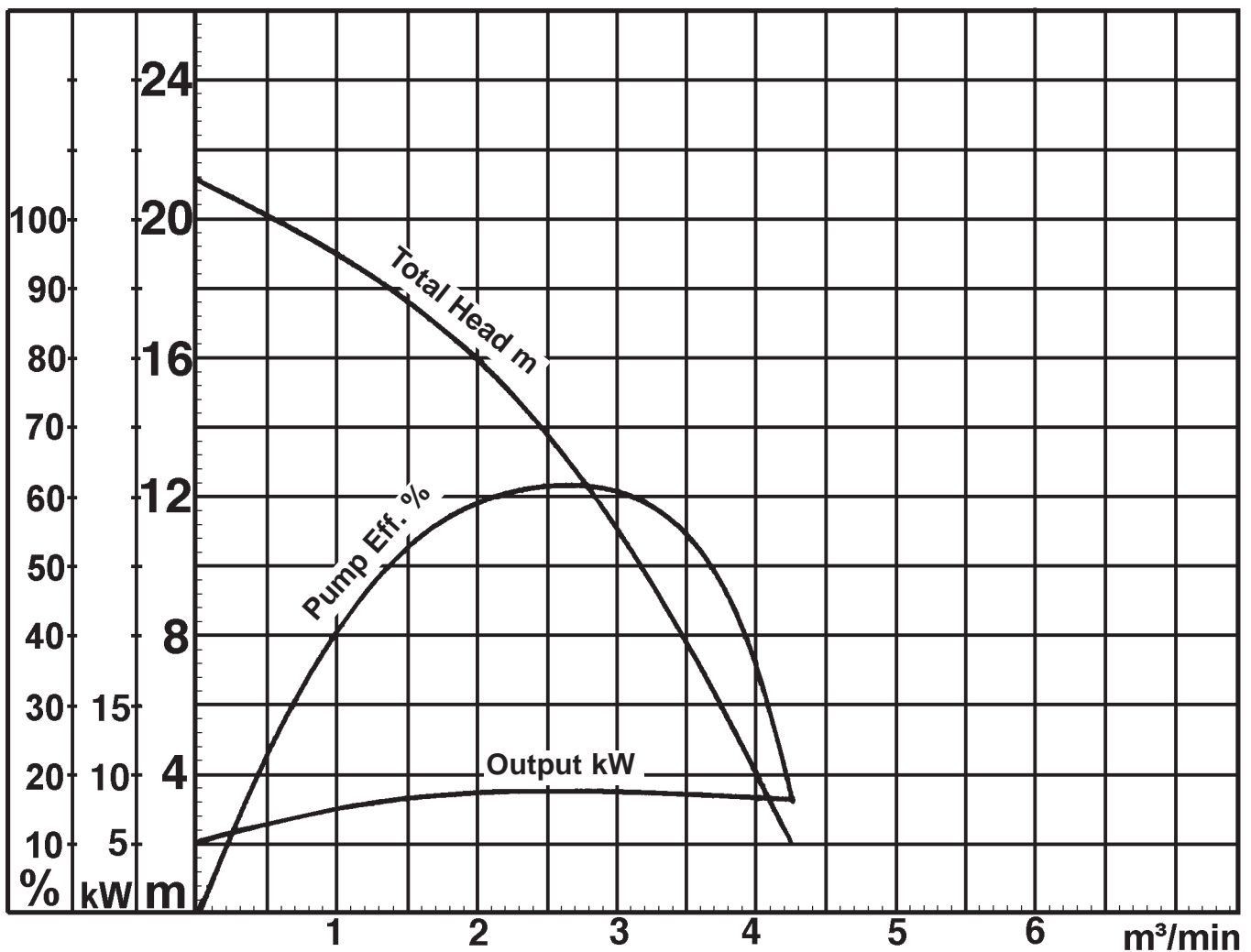
KRS2-69

No.	Description	Qty.	Remarks	No.	Description	Qty.	Remarks
1	Cable	1	20m H07RN-F 4Cx4mm ²	52B	Lower Bearing	1	
6	Stuffing Box	1	FC200 (EN-GJL-200)	53	Motor Protector	1	
20	Pump Casing	1	FC200 (EN-GJL-200)	54	Shaft	1	SUS420J2 (EN-X30Cr13)
21	Impeller	1	FCD700 (EN-GJS-700-2)	55	Rotor	1	
22	Suction Cover	1	FC200 (EN-GJL-200)	56	Stator Complete	1	
23	Strainer Stand	1	Steel Plate	60	Bearing Housing	1	FC150 (EN-GJL-150)
25	Mechanical Seal	1	H-35	64	Motor Frame	1	FC150 (EN-GJL-150)
26	Oil Seal	1		68	Handle	1	Galvanized Steel Pipe
32	Hose Coupling	1	FC200 (EN-GJL-200)	71	Shaft Sleeve	1	SUS403 (EN-X6Cr13)
35	Oil Plug	1	SUS304 (EN-X5CrNi18-10)				
36	Lubricant		Turbine Oil (ISO VG32)				
49	Bottom Plate	1	Steel Plate				
50	Motor Bracket	1	FC150 (EN-GJL-150)				
52A	Upper Bearing	1					

Pump Performance Curve

KRS2-69

Discharge Bore	150 mm
Total Head	16 m
Capacity	2,0 m ³ /min
Motor Output	9,0 kW
Motor Input	10,9 kW
Phase	3
Voltage	400 V
Frequency	50 Hz
Rated Current	19,0 A
Starting Current	130,0 A
Poles	4
Revolution	S.S. 1440 r.p.m.
Starting Method	direct on line
Insulation Class	B



KRS2-69 (104G765-1)