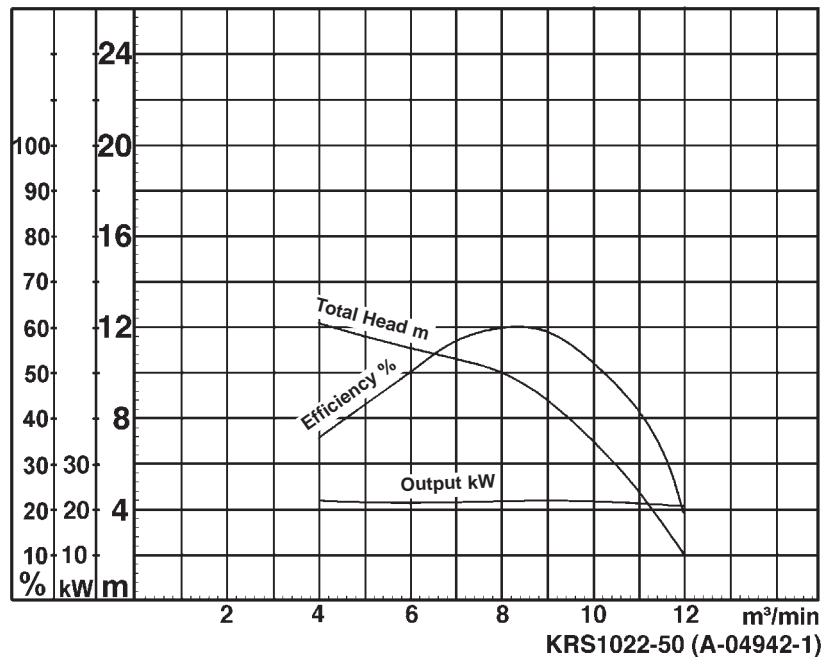
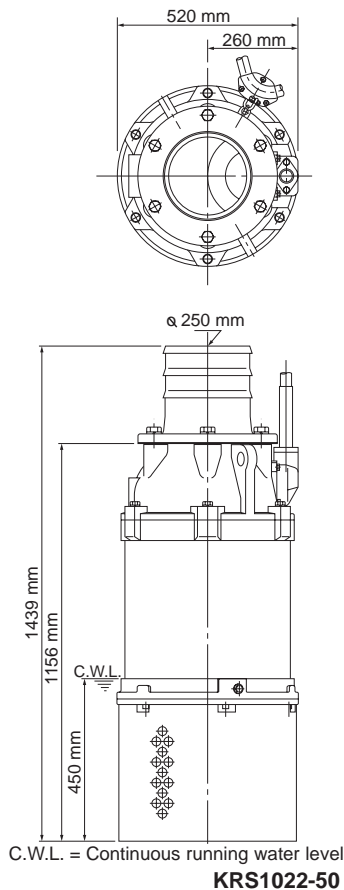


Data Sheet KRS1022-50



Classification

Electric submersible pump
 Protection class IP68
 Depth of submersion max. 40m
 Closed type impeller
 Max. solid handling 25mm
 Suitable for rain water, ground water, sand carrying water

Electric Motor

Dry-type submersible induction motor,
 Insulation class B, 4 poles, 1455 r.p.m.
 Direct on line start
 Voltage: 400V, 50Hz, 3-phase
 Power input: 27,2kW
 Power output: 22,0kW
 Nominal current: 45,0A
 Start current: 261,0A

Electric Cable

20mH07RN-F4Cx10mm²

Motor Protection

Circle thermal protector
 (snap-action bi-metal device)

Shaft Seal

Double mechanical seal in oil bath
 additional lubrication by oil lifting device
 Primary Seal:
 silicon carbide on silicon carbide
 Secondary Seal:
 silicon carbide on silicon carbide

Bearings

Shielded ball bearings, maintenance-free

Materials

Impeller:	FCD700 (EN-GJS-700-2)
Casing:	FC200 (EN-GJL-200)
Suction Cover:	FC200 (EN-GJL-200)
Motor frame:	FC200 (EN-GJL-200)
Shaft:	SUS420J2 (EN-X30Cr13)

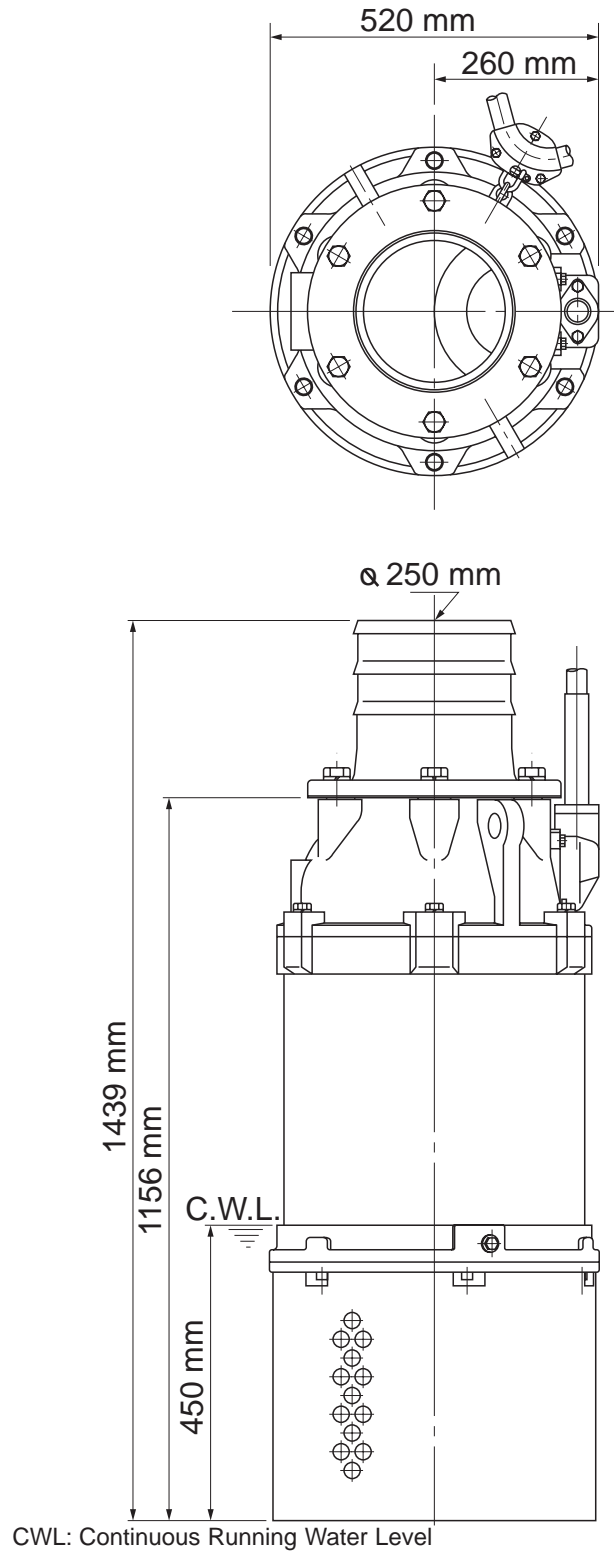
Discharge Connection

10" (250mm) hose coupling

Weight

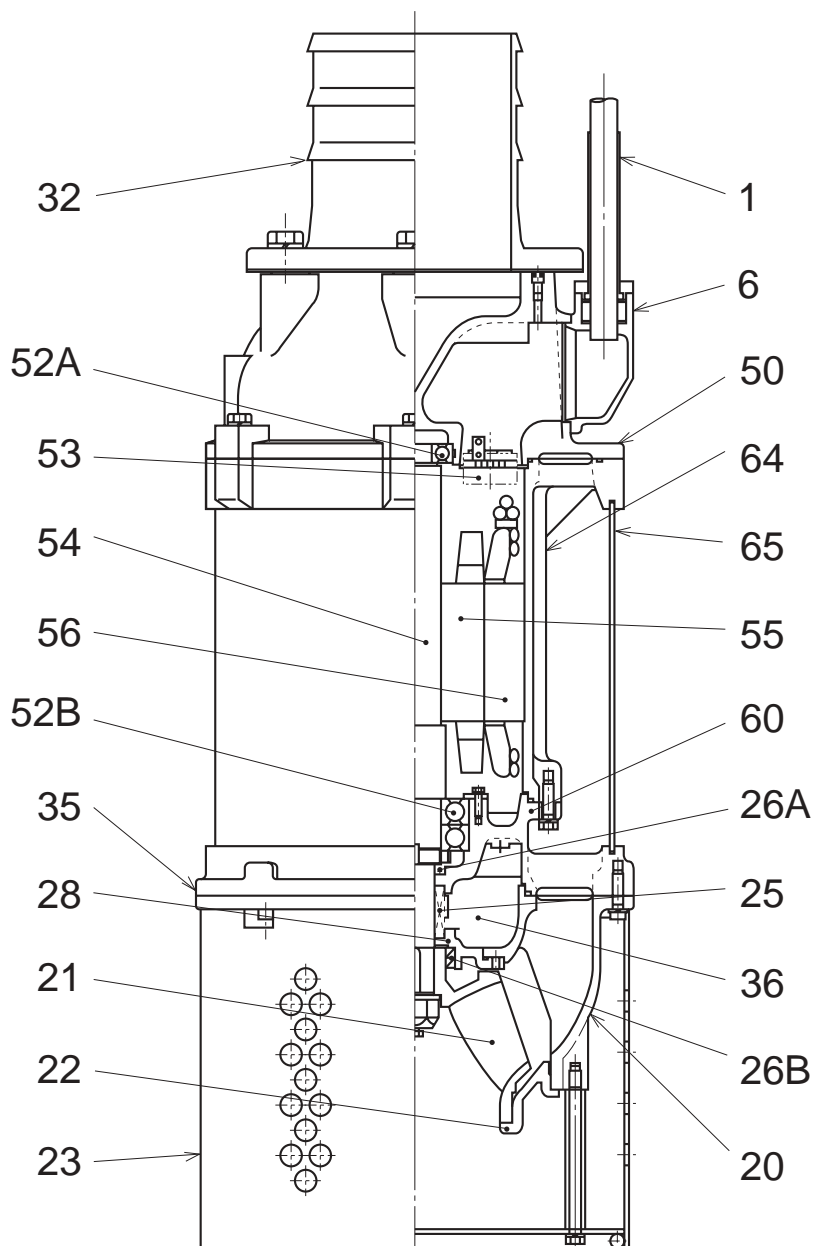
450 kg (dry weight of the pump without cable)

Dimensional Drawing KRS1022-50



KRS1022-50

Sectional Drawing KRS1022-50



KRS1022-50

No.	Description	Qty.	Remarks	No.	Description	Qty.	Remarks
1	Cabtyre Cable	1	20m 4Cx30mm ²	52A	Upper Bearing	1	6308ZZC3
6	Stuffing Box	1	FC200 (EN-GJL-200)	52B	Lower Bearing	1	6312ZZD2C3
20	Pump Casing	1	FC200 (EN-GJL-200)	53	Motor Protector	1	
21	Impeller	1	FCD700 (EN-GJS-700-2)	54	Shaft	1	SUS420J2 (EN-X30Cr13)
22	Suction Cover	1	FC200 (EN-GJL-200)	55	Rotor	1	
23	Strainer Stand	1	SS400 (DIN 1.0040)	56	Stator Complete	1	
25	Mechanical Seal	1	H-45	60	Bearing Housing	1	FC200 (EN-GJL-200)
26A	Oil Seal	1	SC456812	64	Motor Frame	1	FC200 (EN-GJL-200)
26B	Oil Seal	1	TC709212	65	Outer Cover	1	SS400 (DIN 1.0040)
28	Seal Housing	1	FC200 (EN-GJL-200)				
32	Hose Coupling		FC200 (EN-GJL-200)				
35	Oil Plug	1	SUS304 (EN-X5CrNi18-10)				
36	Lubricant	1	Turbine Oil (ISO VG32)				
50	Motor Bracket	1	FC200 (EN-GJL-200)				

Pump Performance Curve

KRS1022-50

Discharge Bore	250 mm
Total Head	10 m
Capacity	8,0 m ³ /min
Motor Output	22,0 kW
Motor Input	27,2 kW
Phase	3
Voltage	400 V
Frequency	50 Hz
Rated Current	45,0 A
Starting Current	261,0 A
Poles	4
Revolution	S.S. 1455 r.p.m.
Starting Method	direct on line
Insulation Class	B

