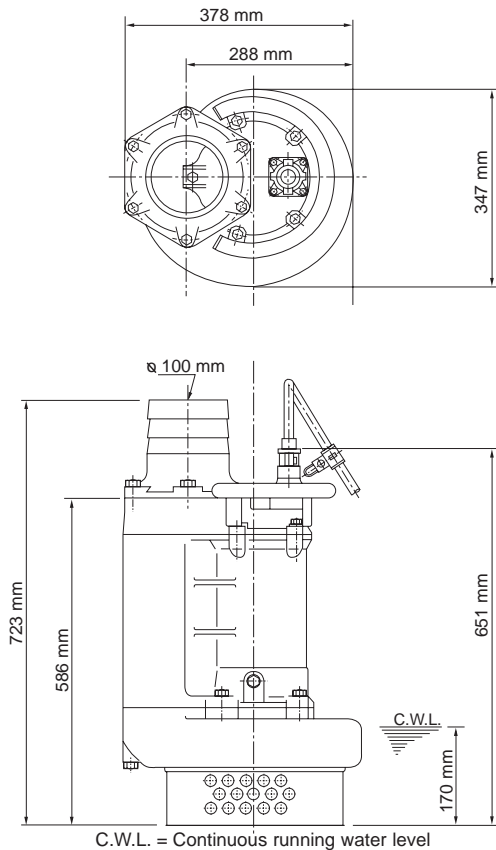
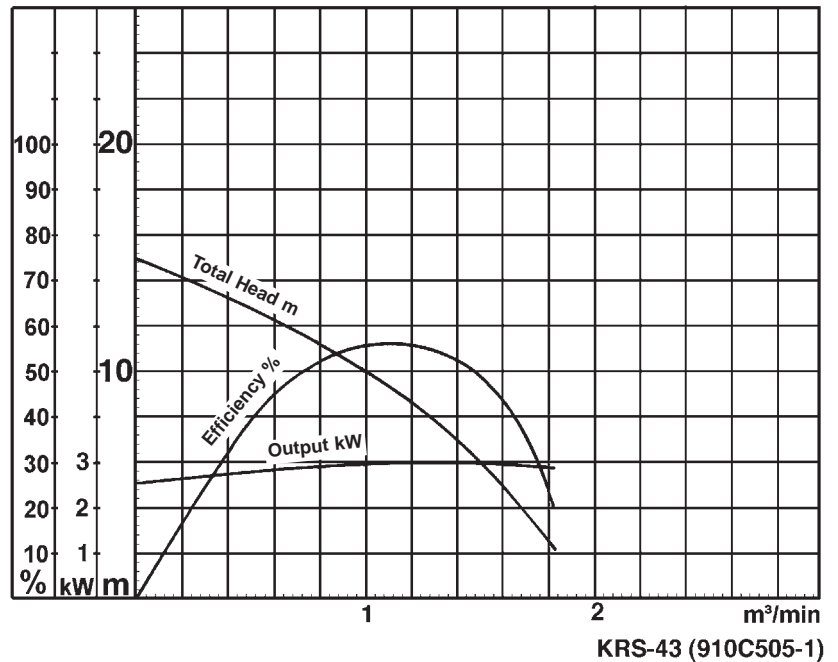


# Data Sheet KRS-43



KRS-43



## Classification

Electric submersible pump  
 Protection class IP68  
 Depth of submersion max. 30m  
 Open type impeller  
 Max. solid handling 12mm  
 Suitable for rain water, ground water, sand carrying water

## Electric Motor

Dry-type submersible induction motor,  
 Insulation class E, 4 poles, 1420 r.p.m.  
 Direct on line start  
 Voltage: 400V, 50Hz, 3-phase  
 Power input: 3,77kW  
 Power output: 3,0kW  
 Nominal current: 6,5A  
 Start current: 42,0A

## Electric Cable

20m H07RN-F 4Cx1,5mm<sup>2</sup>

## Motor Protection

Circle thermal protector  
 (snap-action bi-metal device)

## Shaft Seal

Double mechanical seal in oil bath  
 additional lubrication by oil lifting device  
 Primary Seal:  
 silicon carbide on silicon carbide  
 Secondary Seal:  
 silicon carbide on silicon carbide

## Bearings

Shielded ball bearings, maintenance-free

## Materials

Impeller:	FCD700 (EN-GJS-700-2)
Casing:	FC200 (EN-GJL-200)
Suction Cover:	FC200 (EN-GJL-200)
Motor frame:	FC150 (EN-GJL-150)
Shaft:	SUS420J2 (EN-X30Cr13)

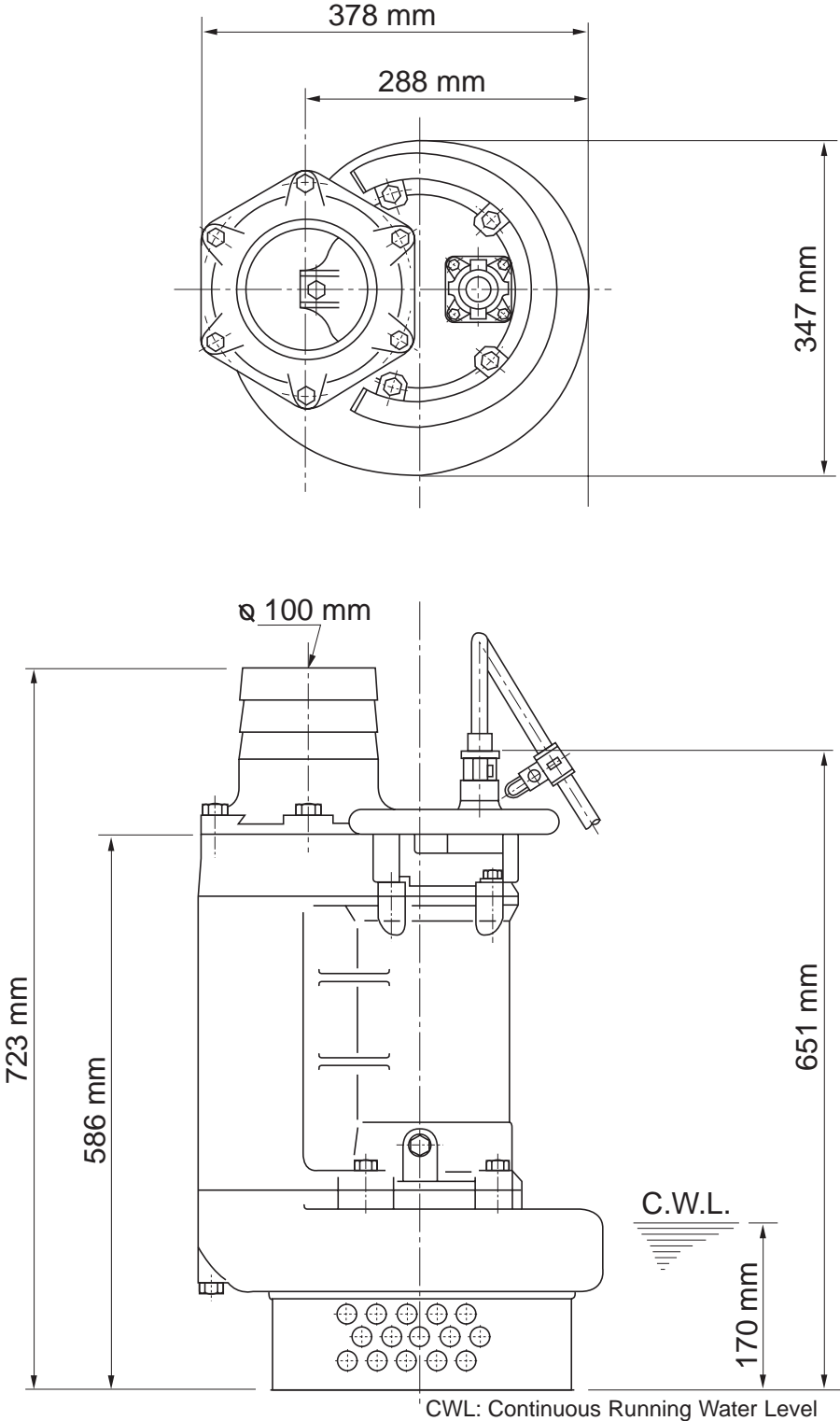
## Discharge Connection

4" (100mm) hose coupling

## Weight

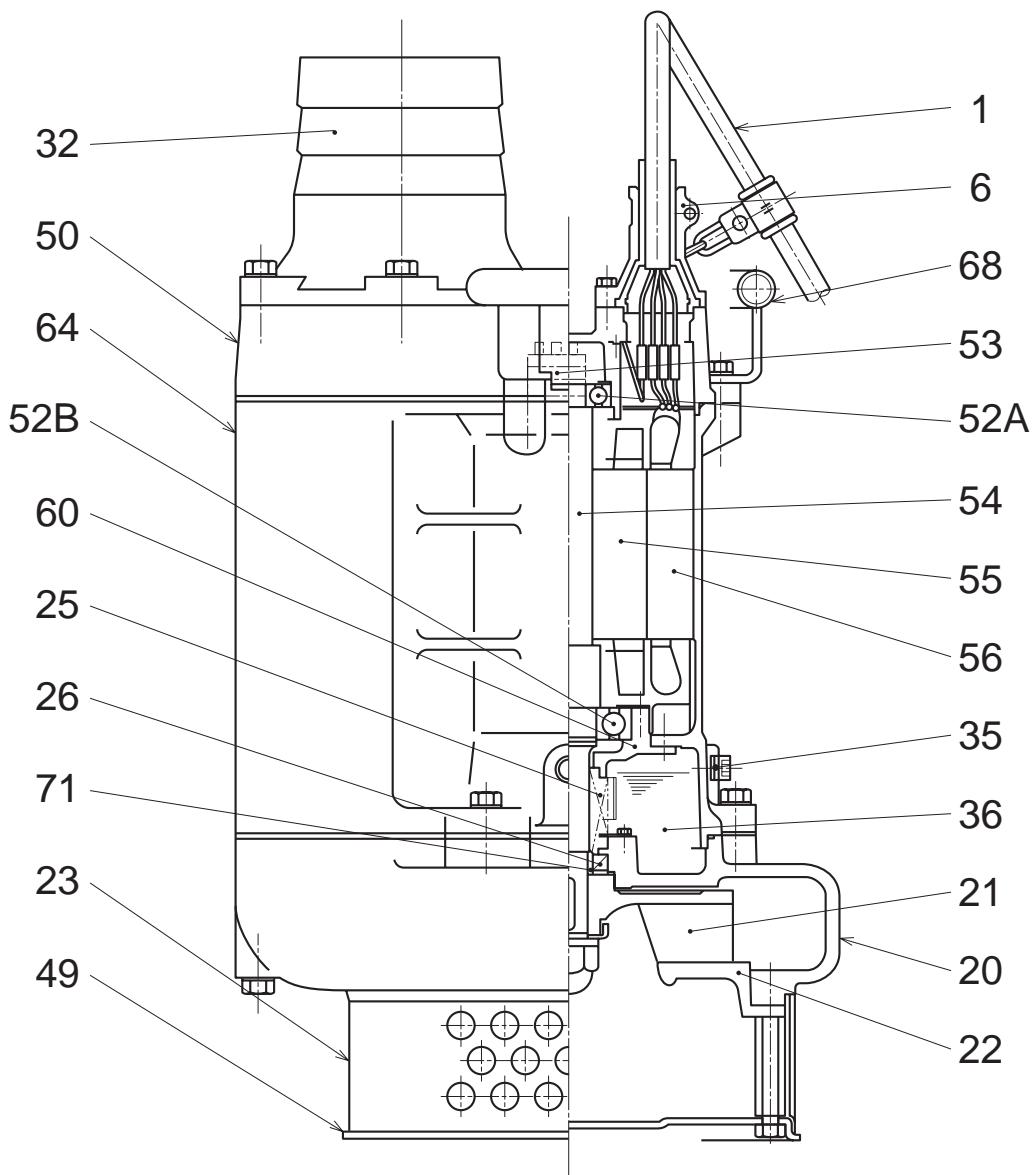
95 kg (dry weight of the pump without cable)

# Dimensional Drawing KRS-43



**KRS-43**

# Sectional Drawing KRS-43



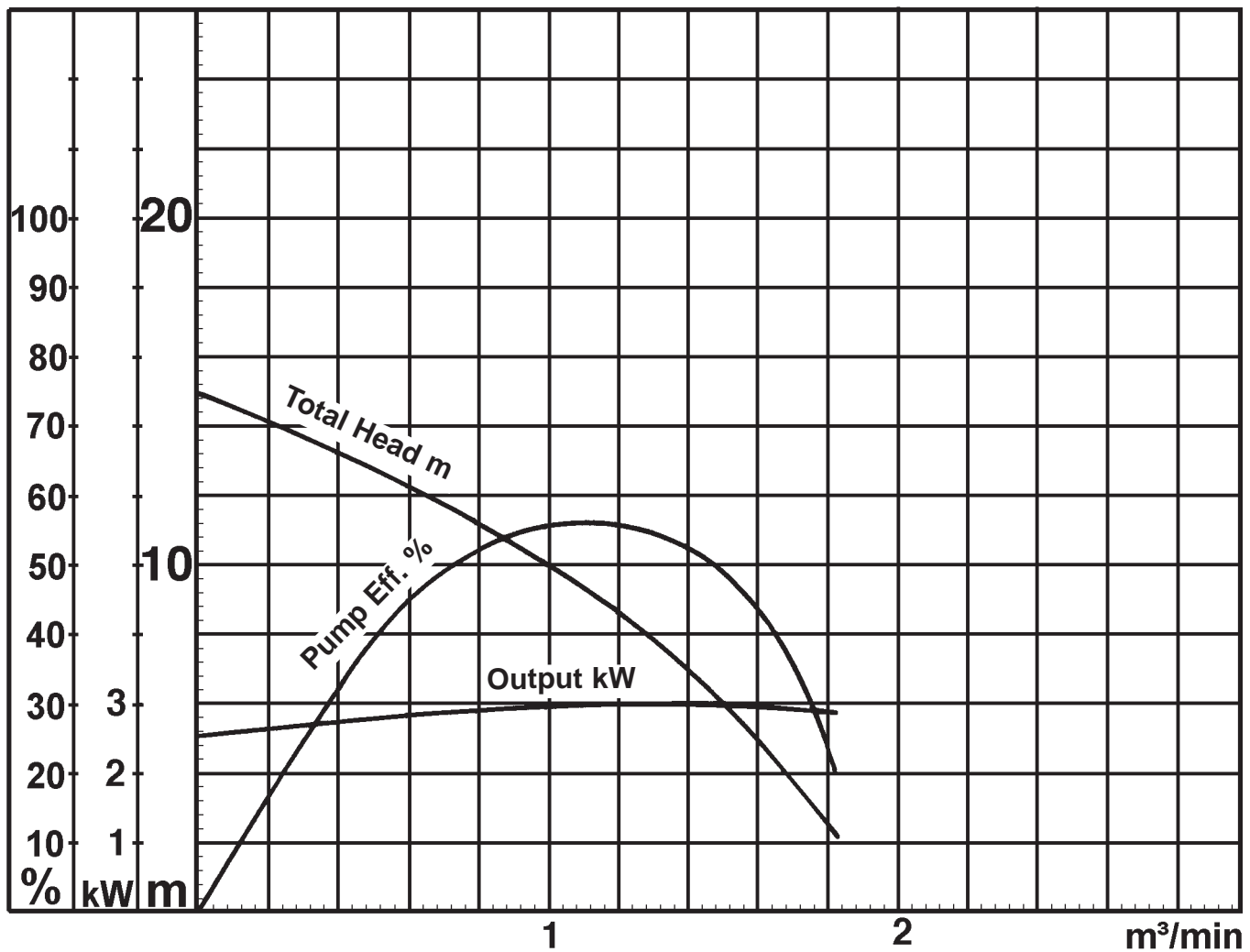
**KRS-43**

No.	Description	Qty.	Remarks	No.	Description	Qty.	Remarks
1	Cabtyre Cable	1	20m H07RN-F 4Cx1,5mm <sup>2</sup>	52B	Lower Bearing	1	
6	Stuffing Box	1	FC200 (EN-GJL-200)	53	Motor Protector	1	
20	Pump Casing	1	FC200 (EN-GJL-200)	54	Shaft	1	SUS420J2 (EN-X30Cr13)
21	Impeller	1	FCD700 (EN-GJS-700-2)	55	Rotor	1	
22	Suction Cover	1	FC200 (EN-GJL-200)	56	Stator Complete	1	
23	Strainer Stand	1	Steel Plate	60	Bearing Housing	1	FC150 (EN-GJL-150)
25	Mechanical Seal	1	H-30T	64	Motor Frame	1	FC150 (EN-GJL-150)
26	Oil Seal	1		68	Handle	1	Galvanized Steel Pipe
32	Hose Coupling	1	FC200 (EN-GJL-200)	71	Shaft Sleeve	1	SUS403 (EN-X6Cr13)
35	Oil Plug	1	SUS304 (EN-X5CrNi18-10)				
36	Lubricant		Turbine Oil (ISO VG32)				
49	Bottom Plate	1	Steel Plate				
50	Motor Bracket	1	FC150 (EN-GJL-150)				
52A	Upper Bearing	1					

# Pump Performance Curve

## KRS-43

Discharge Bore	100 mm
Total Head	10 m
Capacity	1,0 m <sup>3</sup> /min
Motor Output	3,00 kW
Motor Input	3,77 kW
Phase	3
Voltage	400 V
Frequency	50 Hz
Rated Current	6,5 A
Starting Current	42,0 A
Poles	4
Revolution	S.S. 1420 r.p.m.
Starting Method	direct on line
Insulation Class	E



**KRS-43 (910C505-1)**