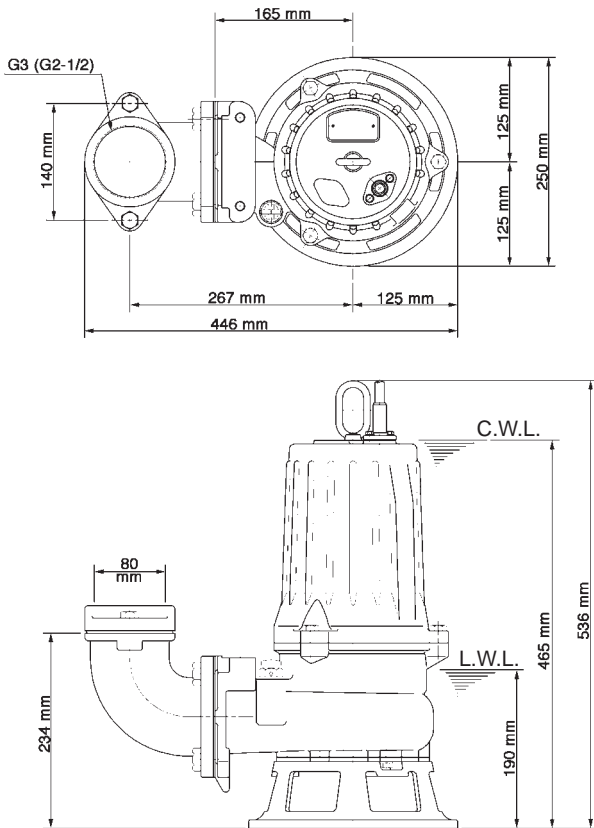
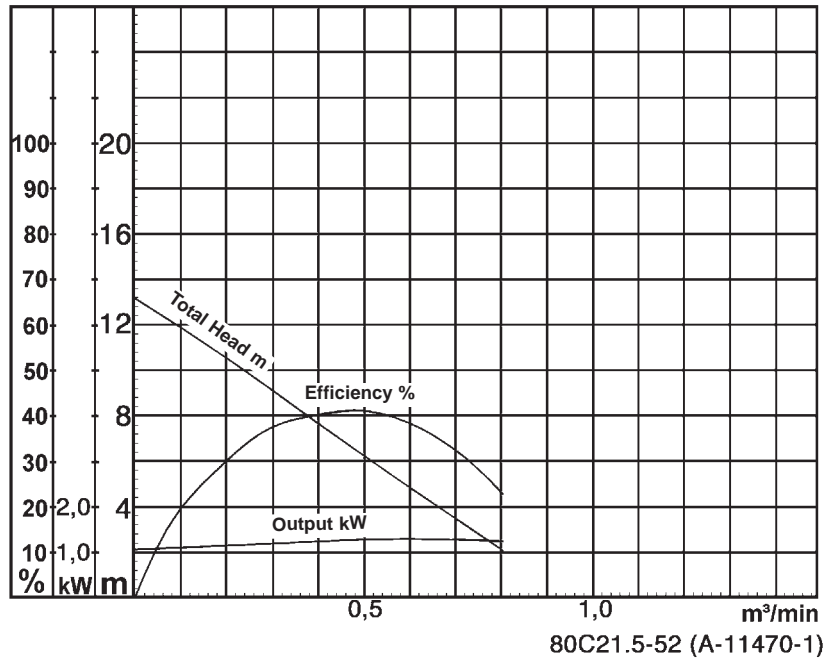


Data Sheet 80C21.5-52



C.W.L. = Continuous running water level
L.W.L. = Lowest running water level

80C21.5-52 (A-11472-1)



80C21.5-52 (A-11470-1)

Classification

Electric submersible pump
Protection class IP68
Depth of submersion max. 30m
1-channel impeller, non-clogging type with cutter mechanism
Impeller passage 37mm
Suitable for waste water and liquids carrying waste and solid matters

Electric Motor

Dry-type submersible induction motor,
Insulation class F, 2 poles, 2840 r.p.m.
Direct on line start
Voltage: 400V, 50Hz, 3-phase
Power input: 2,15kW
Power output: 1,50kW
Nominal current: 3,5A
Start current: 22,0A

Electric Cable

10m H07RN-F 4Cx1,5mm²

Motor Protection

Circle thermal protector
(snap-action bi-metal device)

Shaft Seal

Double mechanical seal in oil bath
additional lubrication by oil lifting device
Primary Seal:
silicon carbide on silicon carbide
Secondary Seal:
ceramic on carbon

Bearings

Shielded ball bearings, maintenance-free

Materials

Impeller:	FC200 (EN-GJL-200) with sintered tungsten carbide alloy tip
Casing:	FC200 (EN-GJL-200)
Suction Cover:	FCD700 (EN-GJS-700-2)
Motor frame:	FC150 (EN-GJL-150)
Shaft:	SUS420J2 (EN-X30Cr13)

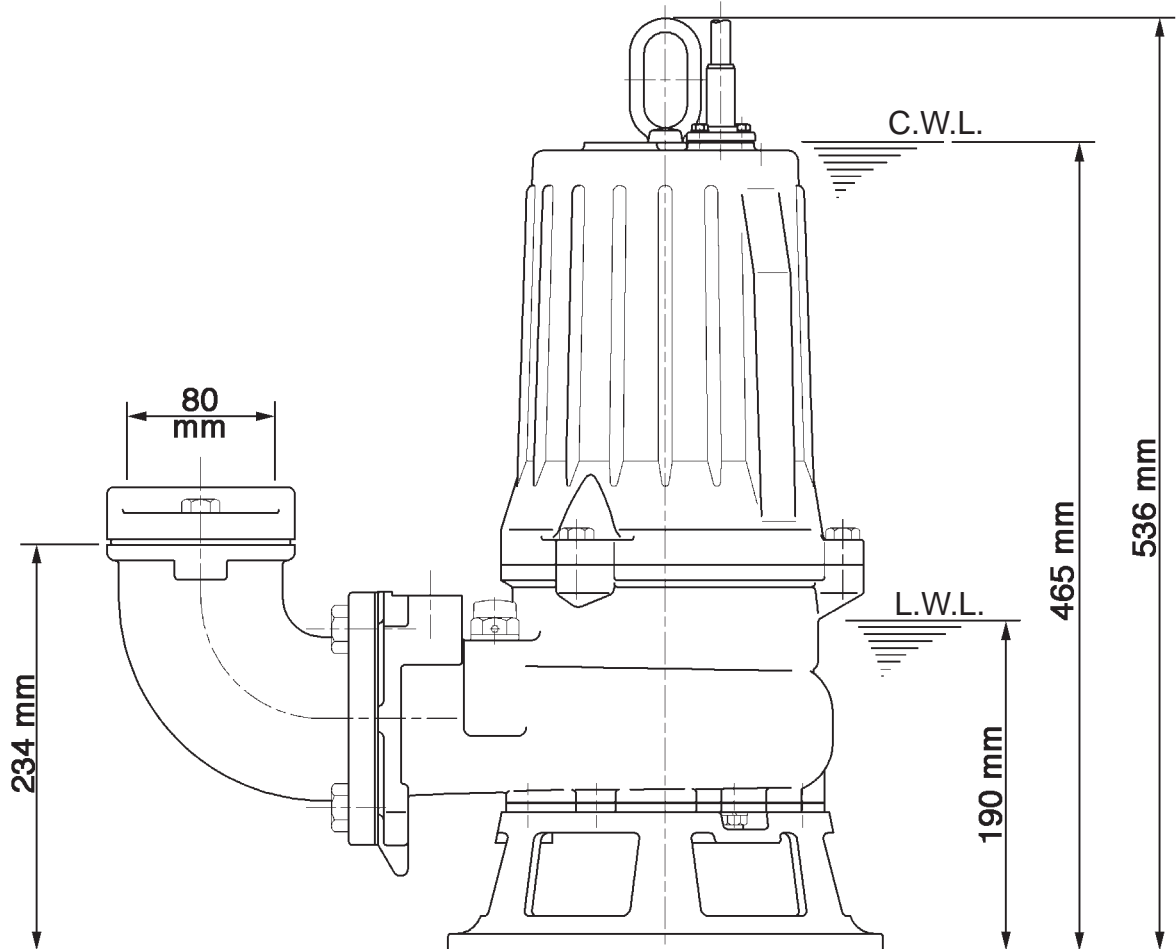
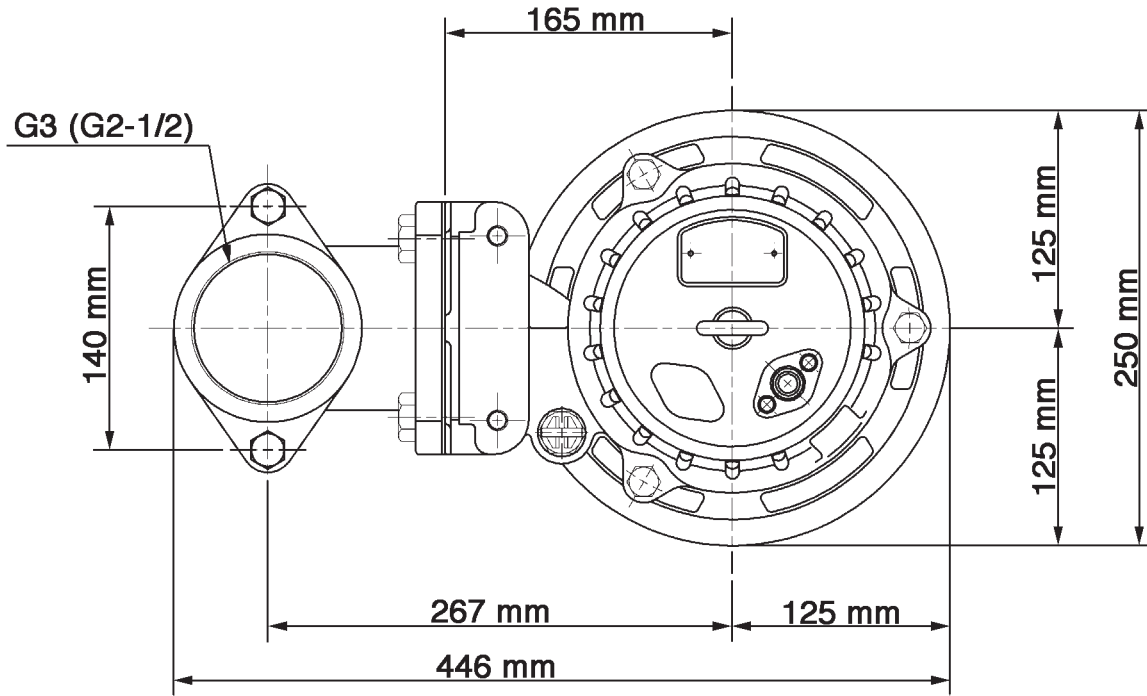
Discharge Connection

3" (80mm) special screwed-in mating flange
Guide rail fitting optional

Weight

36 kg (dry weight of the pump without cable)

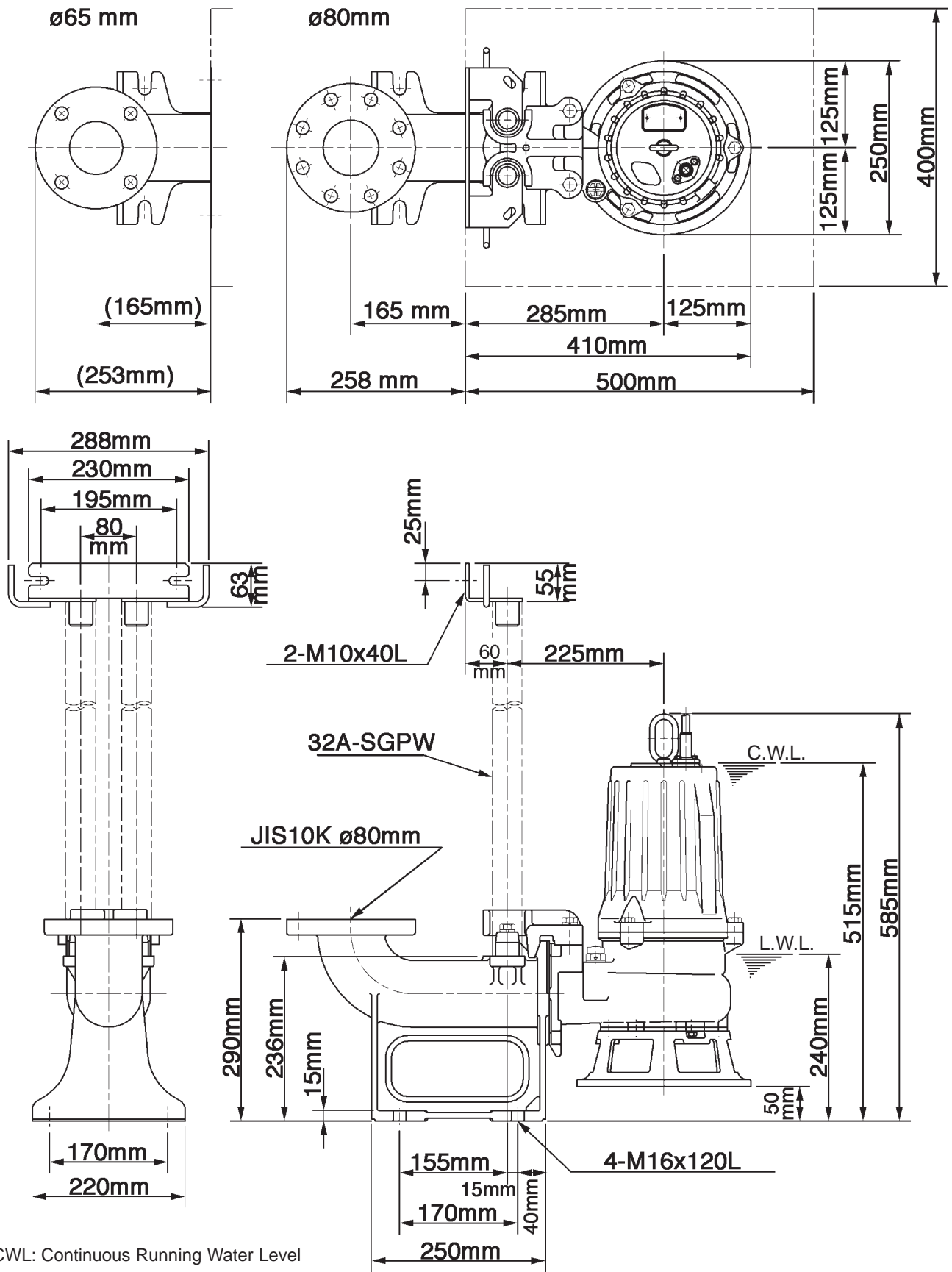
Dimensional Drawing 80C21.5-52



CWL: Continuous Running Water Level
LWL: Lowest Running Water Level

80C21.5-52 (A-11472-1)

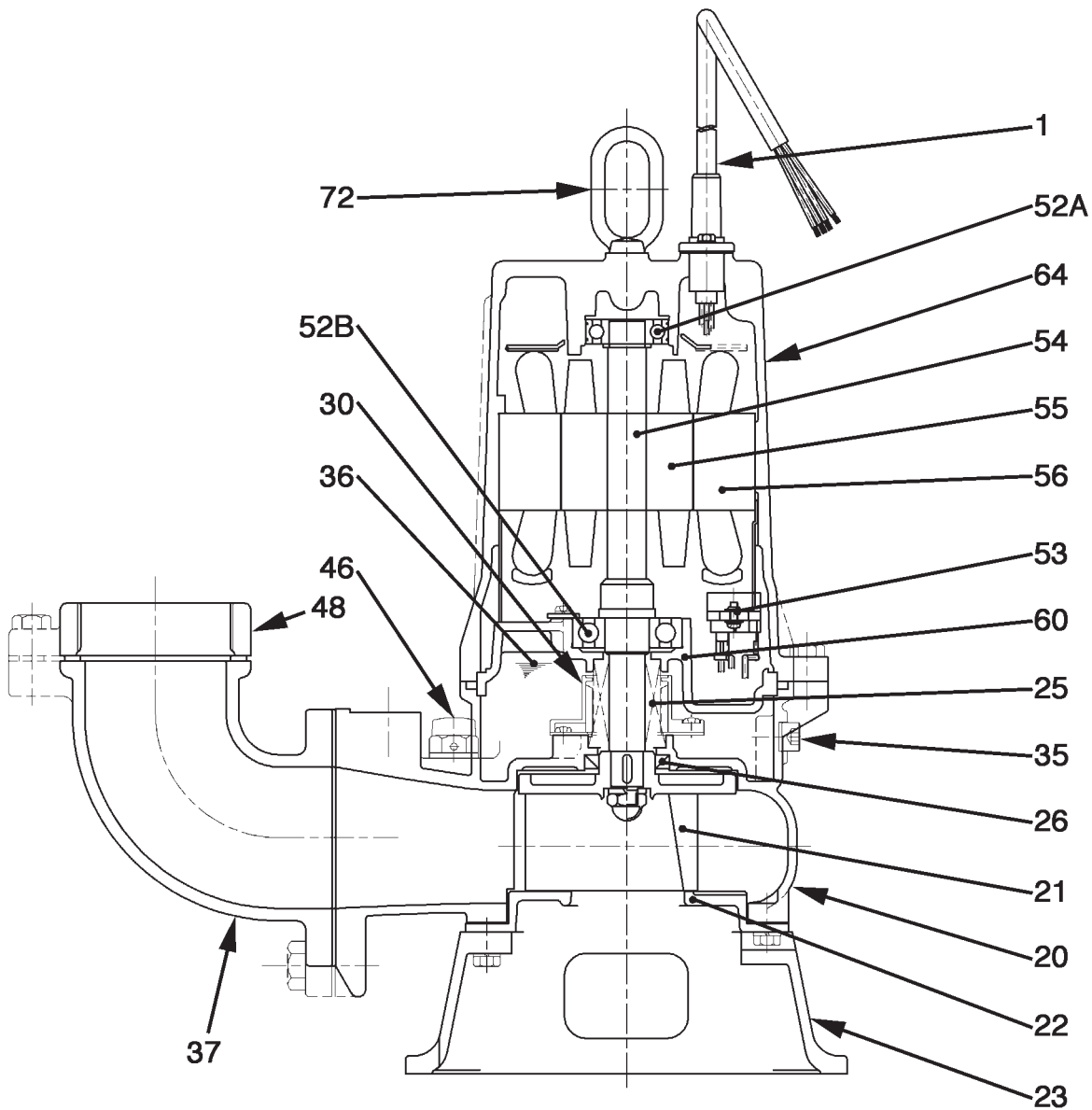
Dimensional Drawing TOS80C21.5-52



CWL: Continuous Running Water Level
 LWL: Lowest Running Water Level

TOS80C21.5-52 (A-11478-1)

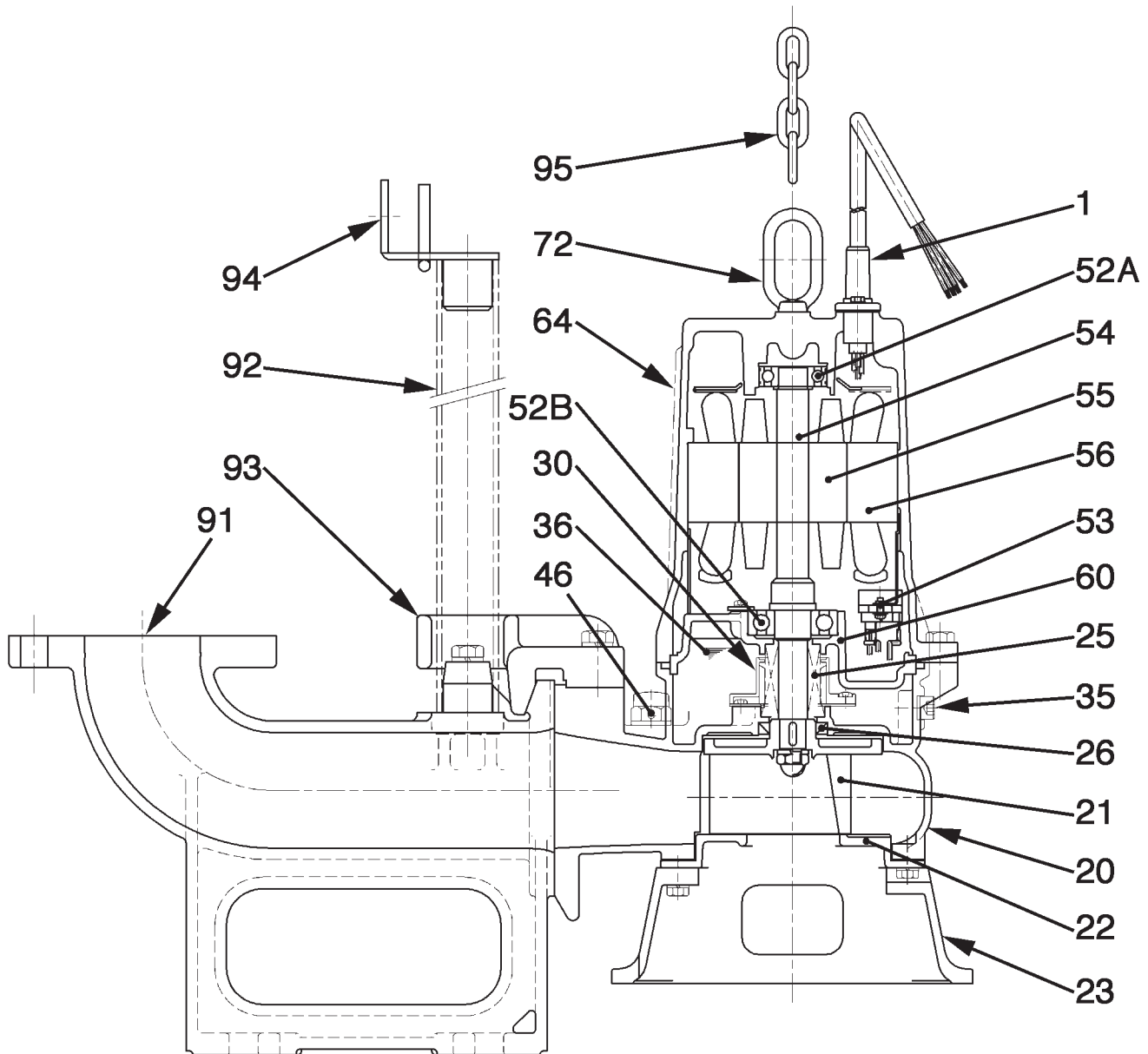
Sectional Drawing 80C21.5-52



80C21.5-52 (A-11475-1)

No.	Description	Qty.	Remarks	No.	Description	Qty.	Remarks
1	Cabtyre Cable	1	H07RN-F	52B	Lower Bearing	1	6305ZZC3
20	Pump Casing	1	FC200 (EN-GJL-200)	53	Motor Protector	1	
21	Impeller	1	FC200 (EN-GJL-200)+Tungsten Carbide	54	Shaft	1	SUS420J2 (EN-X30Cr13)
22	Suction Cover	1	FCD700 (EN-GJS-700-2)	55	Rotor	1	
23	Strainer Stand	1	FCD450 (EN-GJS-450-10)	56	Stator Complete	1	
25	Mechanical Seal	1	H-20A	60	Bearing Housing	1	FC150 (EN-GJL-150)
26	Oil Seal	1	DD-32488	64	Motor Frame	1	FC150 (EN-GJL-150)
30	Oil Lifter	1	Plastic	72	Eye Bolt	1	SUS304 (EN-X5CrNi18-10)
35	Oil Plug	1	SUS304 (EN-X5CrNi18-10)				
36	Lubricant		Turbine Oil (ISO VG32)				
37	Discharge Bend	1	FC200 (EN-GJL-200)				
46	Air Release Valve	1	Brass Rod				
48	Screw Flange	1	FC200 (EN-GJL-200)				
52A	Upper Bearing	1	6204ZZC3				

Sectional Drawing TOS80C21.5-52



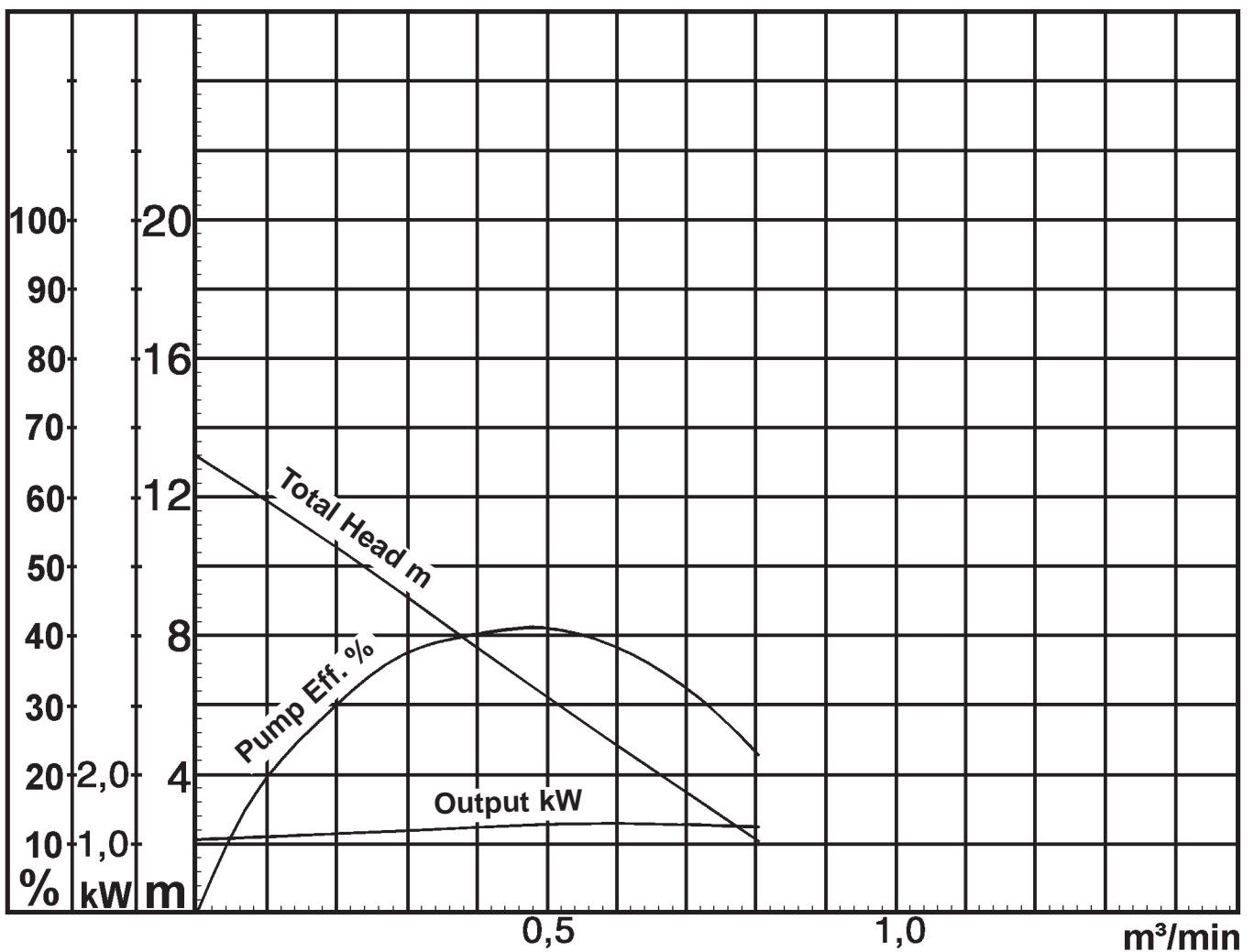
TOS80C21.5-52 (A-11481-1)

No.	Description	Qty.	Remarks	No.	Description	Qty.	Remarks
1	Cabtyre Cable	1	H07RN-F	54	Shaft	1	SUS420J2 (EN-X30Cr13)
20	Pump Casing	1	FC200 (EN-GJL-200)	55	Rotor	1	
21	Impeller	1	FC200 (EN-GJL-200)+Tungsten Carbide	56	Stator Complete	1	
22	Suction Cover	1	FCD700 (EN-GJS-700-2)	60	Bearing Housing	1	FC150 (EN-GJL-150)
23	Strainer Stand	1	FCD450 (EN-GJS-450-10)	64	Motor Frame	1	FC150 (EN-GJL-150)
25	Mechanical Seal	1	H-20A	72	Lifting Eye Bolt	1	SUS304 (EN-X5CrNi18-10)
26	Oil Seal	1	DD-32488	91	Duck Foot Bend	1	FC200 (EN-GJL-200)
30	Oil Lifter	1	Plastic	92	Guide Pipe (Option)	2	Galvanized Steel Pipe SGPW
35	Oil Plug	1	SUS304 (EN-X5CrNi18-10)	93	Guide Hook	1	FCD450 (EN-GJS-450-2)
36	Lubricant		Turbine Oil (ISO VG32)	94	Guide Support	1	SUS304 (EN-X5CrNi18-10)
46	Air Release Valve	1	Brass Rod	95	Lifting Chain	1	SS400 (DIN 1.0040)
52A	Upper Bearing	1	6204ZZC3				
52B	Lower Bearing	1	6305ZZC3				
53	Motor Protector	1					

Pump Performance Curve

80C21.5-52

Discharge Bore	80 mm
Total Head	7,0 m
Capacity	0,45 m ³ /min
Motor Output	1,50 kW
Motor Input	2,15 kW
Phase	3
Voltage	400 V
Frequency	50 Hz
Rated Current	3,5 A
Starting Current	22,0 A
Poles	2
Revolution	S.S. 2840 r.p.m.
Starting Method	direct on line
Insulation Class	F



80C21.5-52 (A-11470-1)