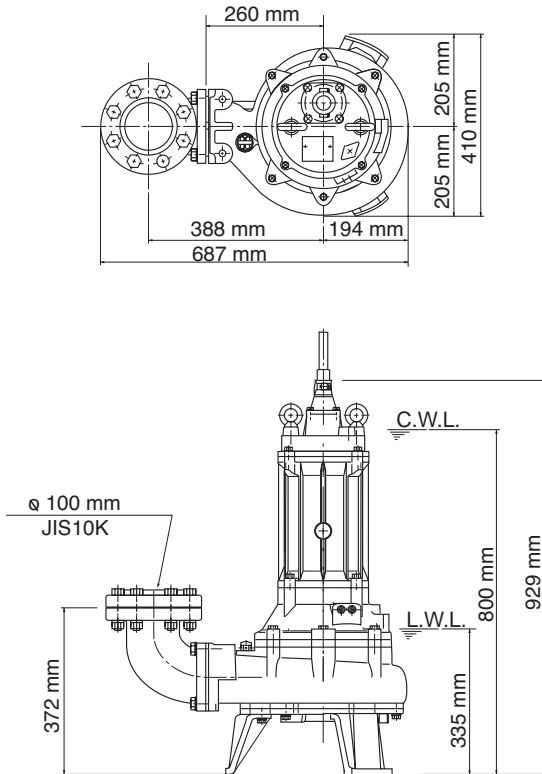
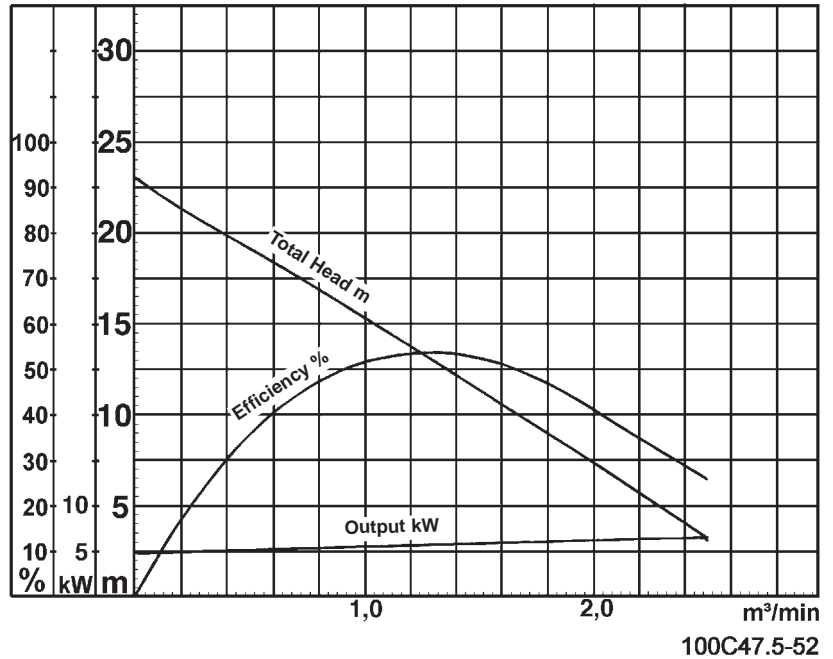


Data Sheet 100C47.5-52



C.W.L. = Continuous running water level
L.W.L. = Lowest running water level
100C47.5-52



Classification

Electric submersible pump
Protection class IP68
Depth of submersion max. 30m
1-channel impeller, non-clogging type with cutter mechanism
Impeller passage 40mm
Suitable for waste water and liquids carrying waste and solid matters

Electric Motor

Dry-type submersible induction motor,
Insulation class F, 4 poles, 1455 r.p.m.
Direct on line start
Voltage: 400V, 50Hz, 3-phase
Power input: 9,16kW
Power output: 7,50kW
Nominal current: 15,9A
Start current: 89,0A

Electric Cable

10m H07RN-F 4Cx4mm²

Motor Protection

Circle thermal protector
(snap-action bi-metal device)

Shaft Seal

Double mechanical seal in oil bath
additional lubrication by oil lifting device
Primary Seal:
silicon carbide on silicon carbide
Secondary Seal:
silicon carbide on silicon carbide

Bearings

Shielded ball bearings, maintenance-free

Materials

Impeller: FC200 (EN-GJL-200) with sintered tungsten carbide alloy tip
Casing: FC200 (EN-GJL-200)
Suction Cover: FCD700 (EN-GJS-700-2)
Motor frame: FC200 (EN-GJL-200)
Shaft: SUS403 (EN X6Cr13)

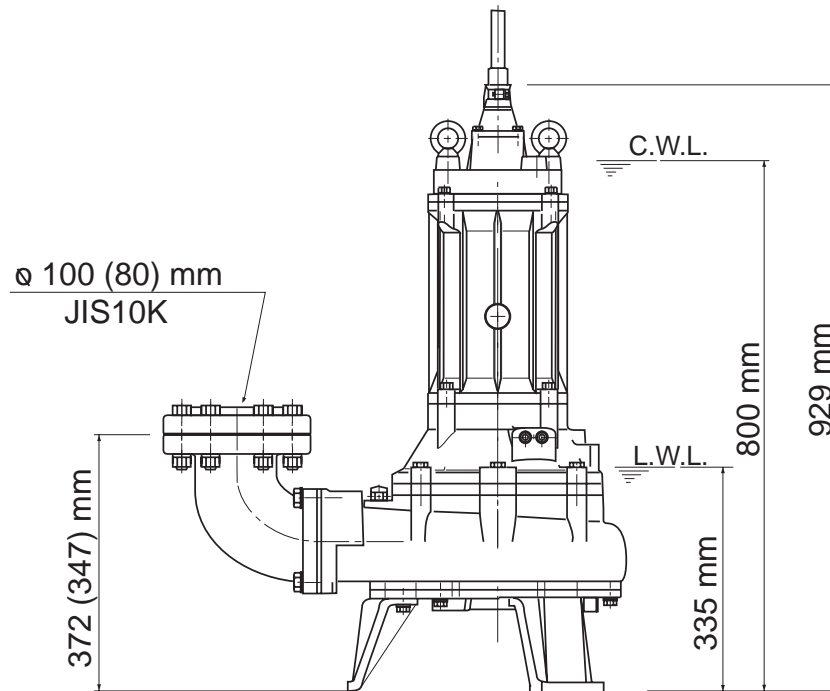
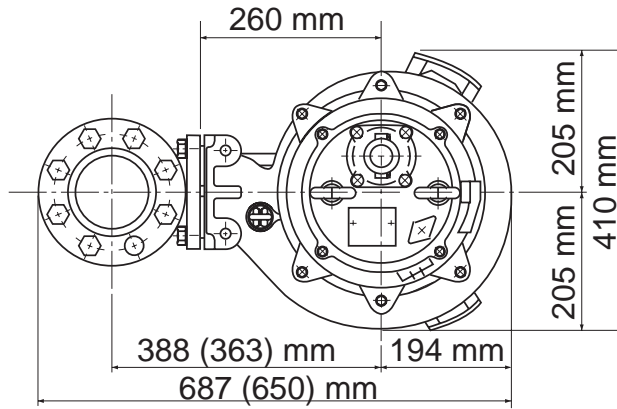
Discharge Connection

4" (100mm) JIS10K screwed-in mating flange
Guide rail fitting optional

Weight

159 kg (dry weight of the pump without cable)

Dimensional Drawing 100C47.5-52

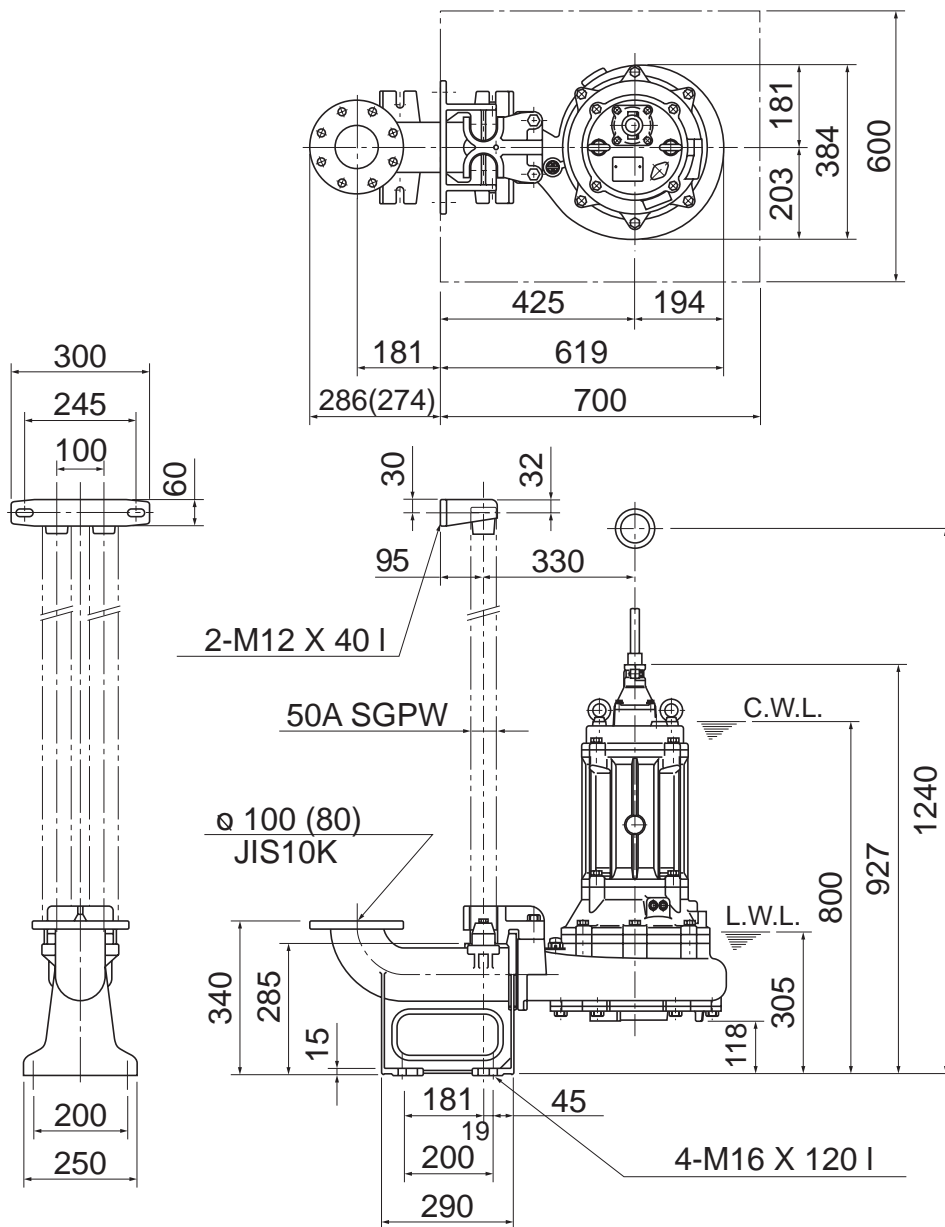


100C47.5-52

CWL: Continuous Running Water Level
LWL: Lowest Running Water Level

Dimensional Drawing TOS100C47.5-52

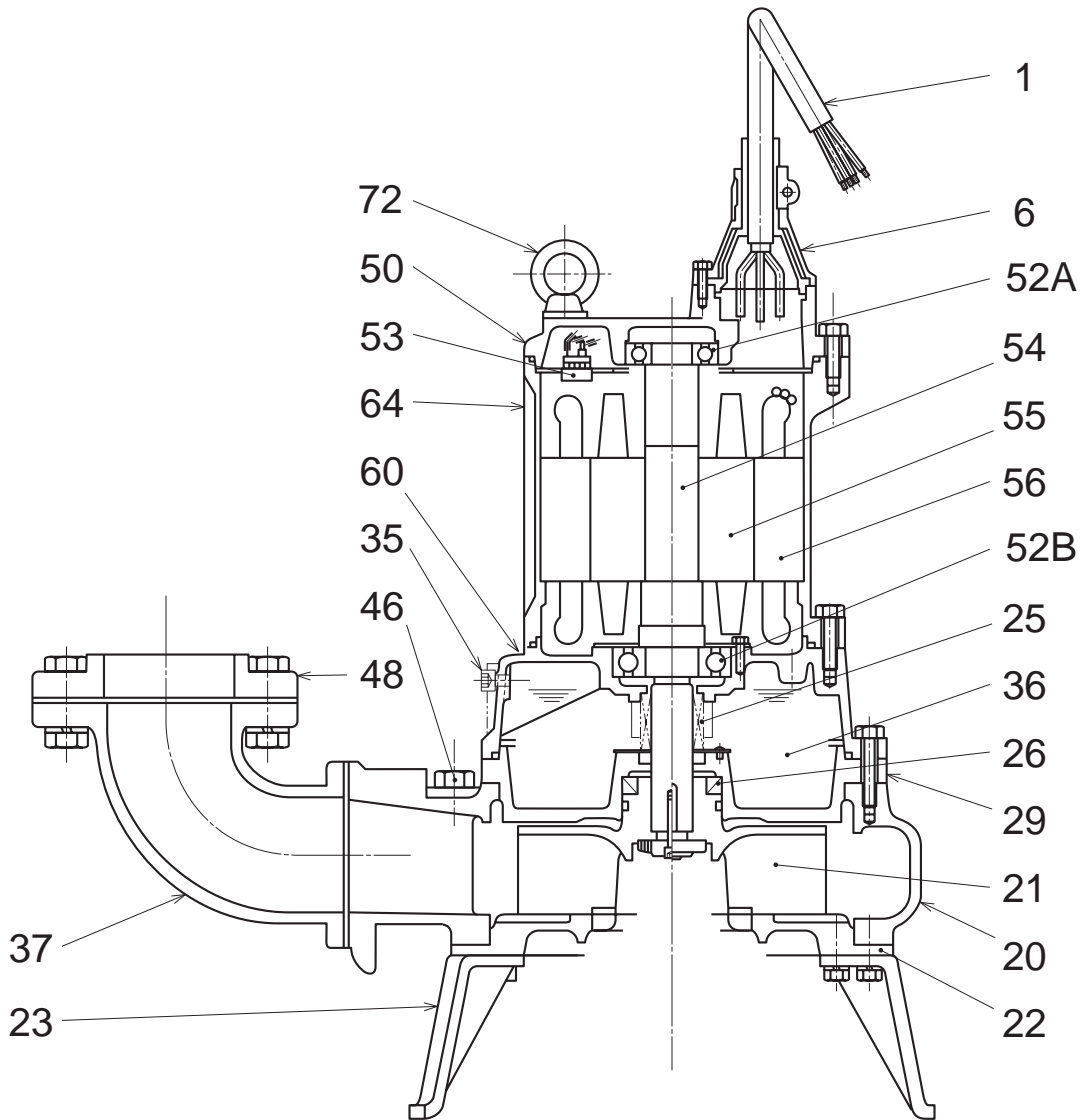
Dimensions in mm



TOS100C47.5-52

CWL: Continuous Running Water Level
LWL: Lowest Running Water Level

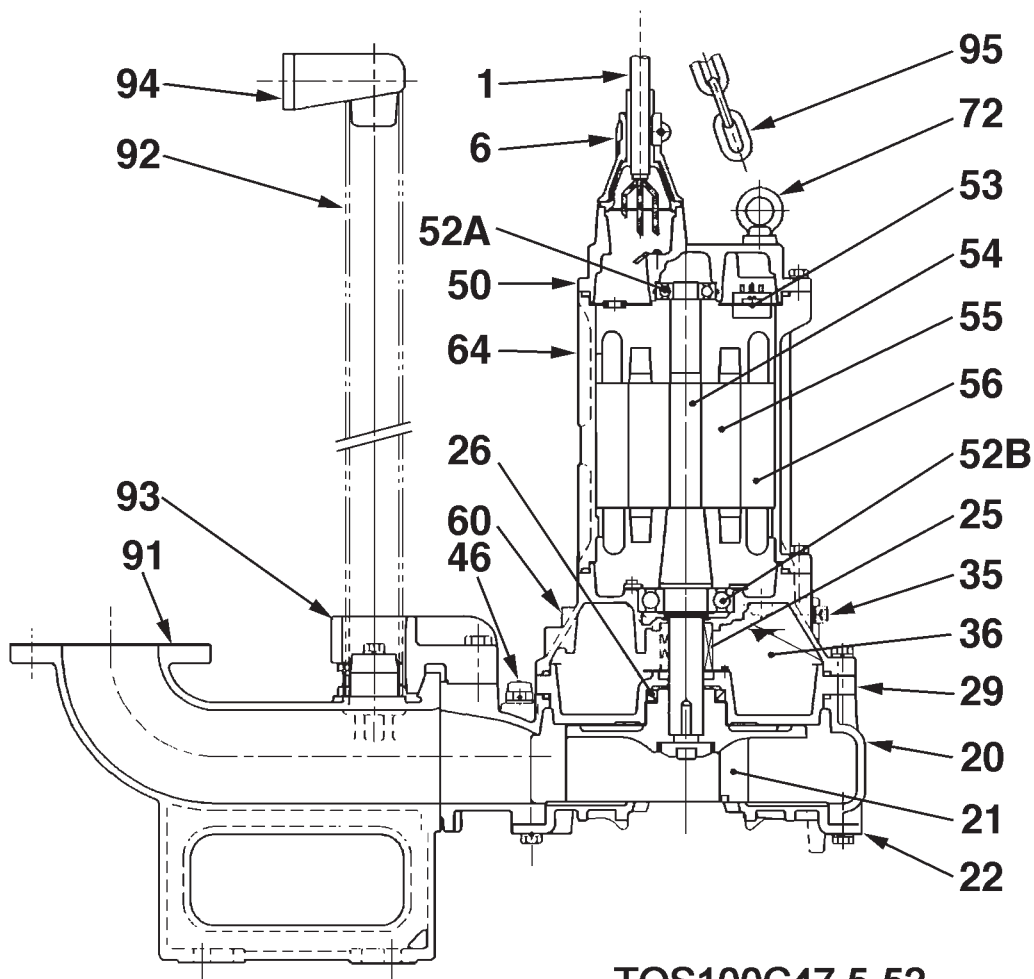
Sectional Drawing 100C47.5-52



100C47.5-52

No.	Description	Qty.	Remarks	No.	Description	Qty.	Remarks
1	Cabtyre Cable	1	10m H07RN-F 4Cx4mm ²	52B	Lower Bearing	1	6311ZZC3
6	Stuffing Box	1	FC200 (EN-GJL-200)	53	Motor Protector	1	
20	Pump Casing	1	FC200 (EN-GJL-200)	54	Shaft	1	SUS403 (EN-X6Cr13)
21	Impeller	1	FC200 (EN-GJL-200)+Tungsten Carbide	55	Rotor	1	
22	Suction Cover	1	FCD700 (EN-GJS-700-2)	56	Stator	1	
23	Stand	3	FC200 (EN-GJL-200)	60	Bearing Housing	1	FC200 (EN-GJL-200)
25	Mechanical Seal	1	H-35A	64	Motor Frame	1	FC200 (EN-GJL-200)
26	Oil Seal	1	TC-608212	72	Eye Bolt	2	SS400 (DIN 1.0040)
29	Oil Casing	1	FC200 (EN-GJL-200)				
35	Oil Plug	2	SUS304 (EN-X5CrNi18-10)				
36	Lubricant		Turbine Oil (ISO VG32)				
37	Discharge Bend	1	FC200 (EN-GJL-200)				
46	Air Release Valve	1	Nylon				
48	Screwed Flange	1	FC200 (EN-GJL-200)				
50	Motor Bracket	1	FC200 (EN-GJL-200)				
52A	Upper Bearing	1	6306ZZC3				

Sectional Drawing TOS100C47.5-52



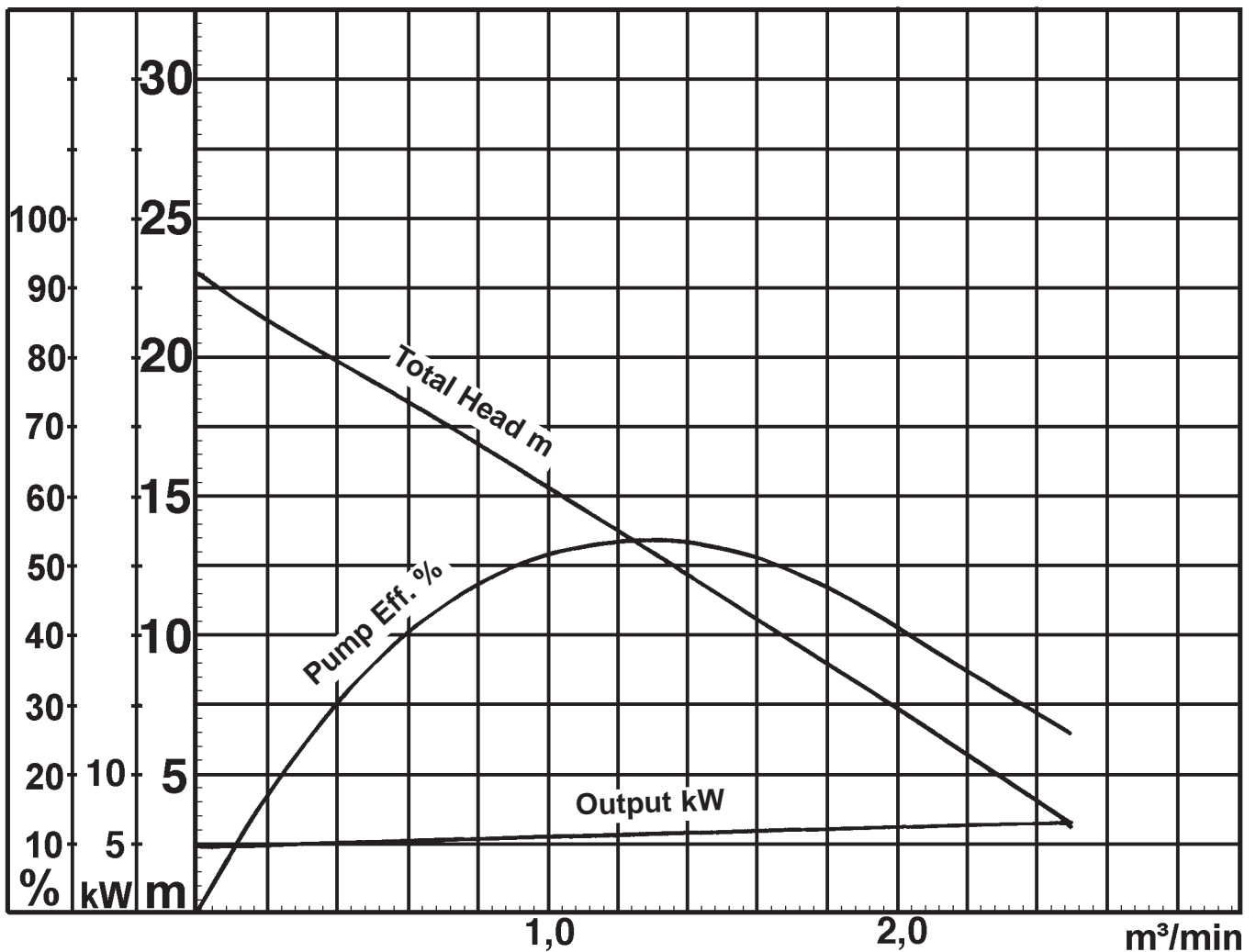
TOS100C47.5-52

No.	Description	Qty.	Remarks	No.	Description	Qty.	Remarks
1	Cabtyre Cable	1	10m H07RN-F 4Cx4mm ²	55	Rotor	1	
6	Stuffing Box	1	FC200 (EN-GJL-200)	56	Stator	1	
20	Pump Casing	1	FC200 (EN-GJL-200)	60	Bearing Housing	1	FC200 (EN-GJL-200)
21	Impeller	1	FC200 (EN-GJL-200)+Tungsten Carbide	64	Motor Frame	1	FC200 (EN-GJL-200)
22	Suction Cover	1	FCD700 (EN-GJS-700-2)	72	Eye Bolt	2	SS400 (DIN 1.0040)
25	Mechanical Seal	1	H-35A	91	Duck Foot Bend	1	FC200 (EN-GJL-200)
26	Oil Seal	1	TC-608212	92	Guide Pipe (Option)	2	Carbon Steel Pipe SGPW
29	Oil Casing	1	FC200 (EN-GJL-200)	93	Guide Hook	1	FCD450 (EN-GJS-450-10)
35	Oil Plug	2	SUS304 (EN-X5CrNi18-10)	94	Guide Support	1	FCD450 (EN-GJS-450-10)
36	Lubricant		Turbine Oil (ISO VG32)	95	Chain	1	SS400 (DIN 1.0040)
46	Air Release Valve	1	Nylon				
50	Motor Bracket	1	FC200 (EN-GJL-200)				
52A	Upper Bearing	1	6306ZZC3				
52B	Lower Bearing	1	6309ZZC3				
53	Motor Protector	1					
54	Shaft	1	SUS403 (EN-X6Cr13)				

Pump Performance Curve

100C47.5-52

Discharge Bore	100 mm
Total Head	16,0 m
Capacity	0,80 m ³ /min
Motor Output	7,50 kW
Motor Input	9,16 kW
Phase	3
Voltage	400 V
Frequency	50 Hz
Rated Current	15,9 A
Starting Current	89,0 A
Poles	4
Revolution	S.S. 1455 r.p.m.
Starting Method	direct on line
Insulation Class	F



100C47.5-52