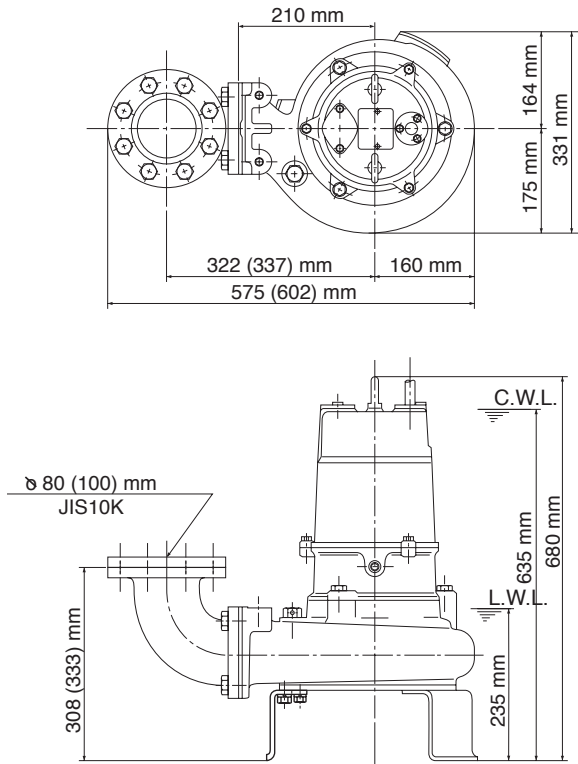
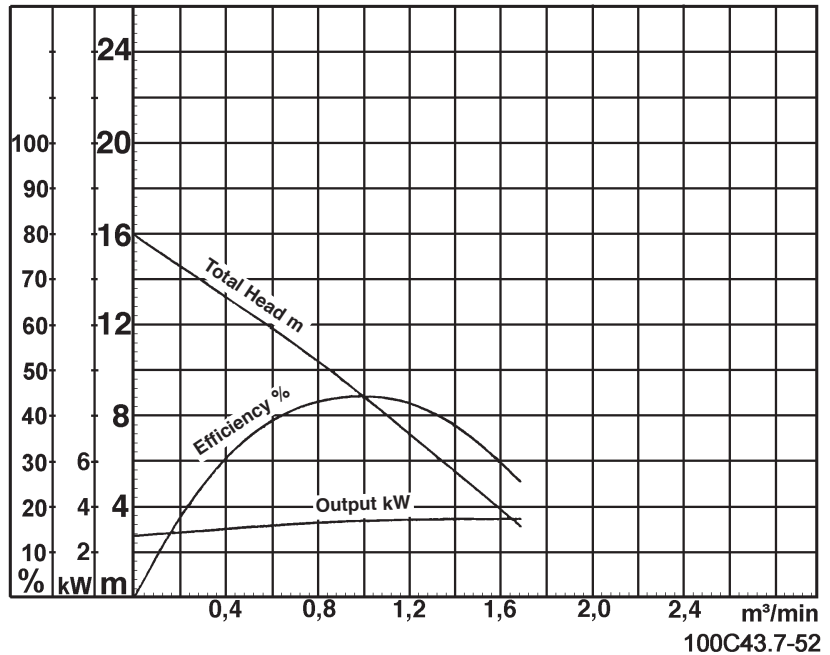


# Data Sheet 100C43.7-52



C.W.L. = Continuous running water level  
L.W.L. = Lowest running water level **100C43.7-52**



## Classification

Electric submersible pump  
Protection class IP68  
Depth of submersion max. 30m  
1-channel impeller, non-clogging type with cutter mechanism  
Impeller passage 60mm  
Suitable for waste water and liquids carrying waste and solid matters

## Electric Motor

Dry-type submersible induction motor,  
Insulation class E, 4 poles, 1450 r.p.m.  
Direct on line start  
Voltage: 400V, 50Hz, 3-phase  
Power input: 4,70kW  
Power output: 3,70kW  
Nominal current: 8,0A  
Start current: 49,5A

## Electric Cable

10m H07RN-F 4Cx1,5mm<sup>2</sup>

## Motor Protection

Circle thermal protector  
(snap-action bi-metal device)

## Shaft Seal

Double mechanical seal in oil bath  
additional lubrication by oil lifting device  
Primary Seal:  
silicon carbide on silicon carbide  
Secondary Seal:  
silicon carbide on silicon carbide

## Bearings

Shielded ball bearings, maintenance-free

## Materials

Impeller: FC200 (EN-GJL-200) with sintered tungsten carbide alloy tip  
Casing: FC200 (EN-GJL-200)  
Suction Cover: FCD700 (EN-GJS-700-2)  
Motor frame: FC200 (EN-GJL-200)  
Shaft: SUS403 (EN X6Cr13)

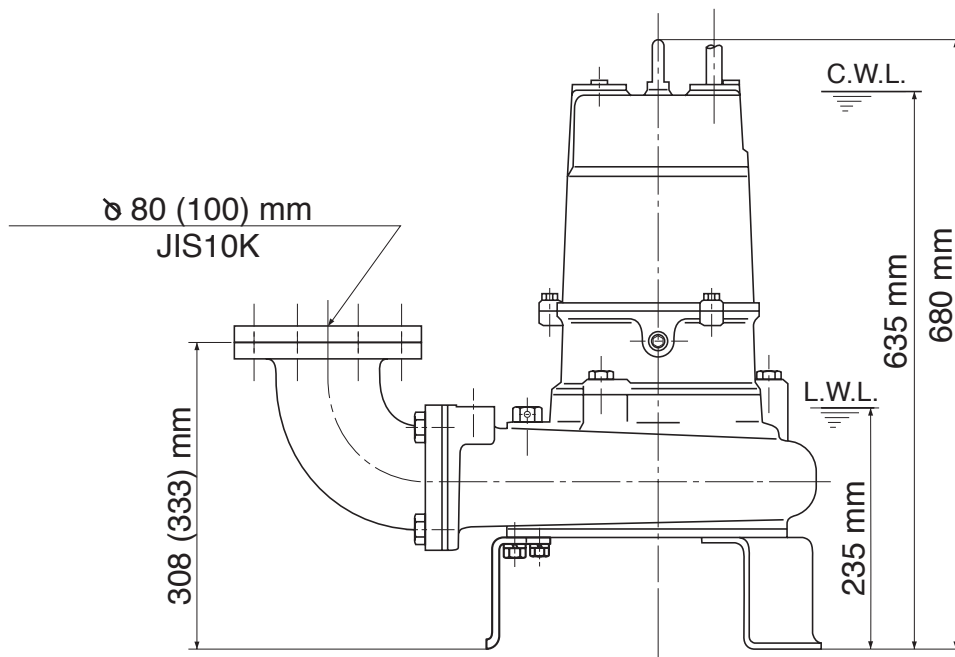
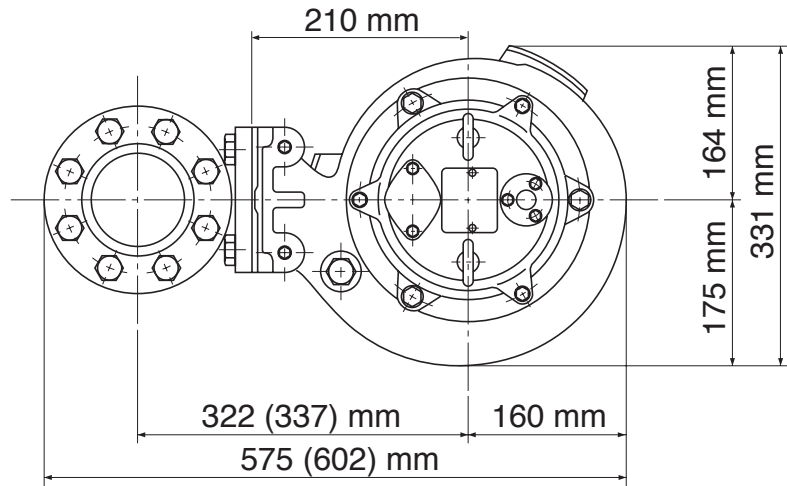
## Discharge Connection

4" (100mm) JIS10K screwed-in mating flange  
Guide rail fitting optional

## Weight

84 kg (dry weight of the pump without cable)

# Dimensional Drawing 100C43.7-52

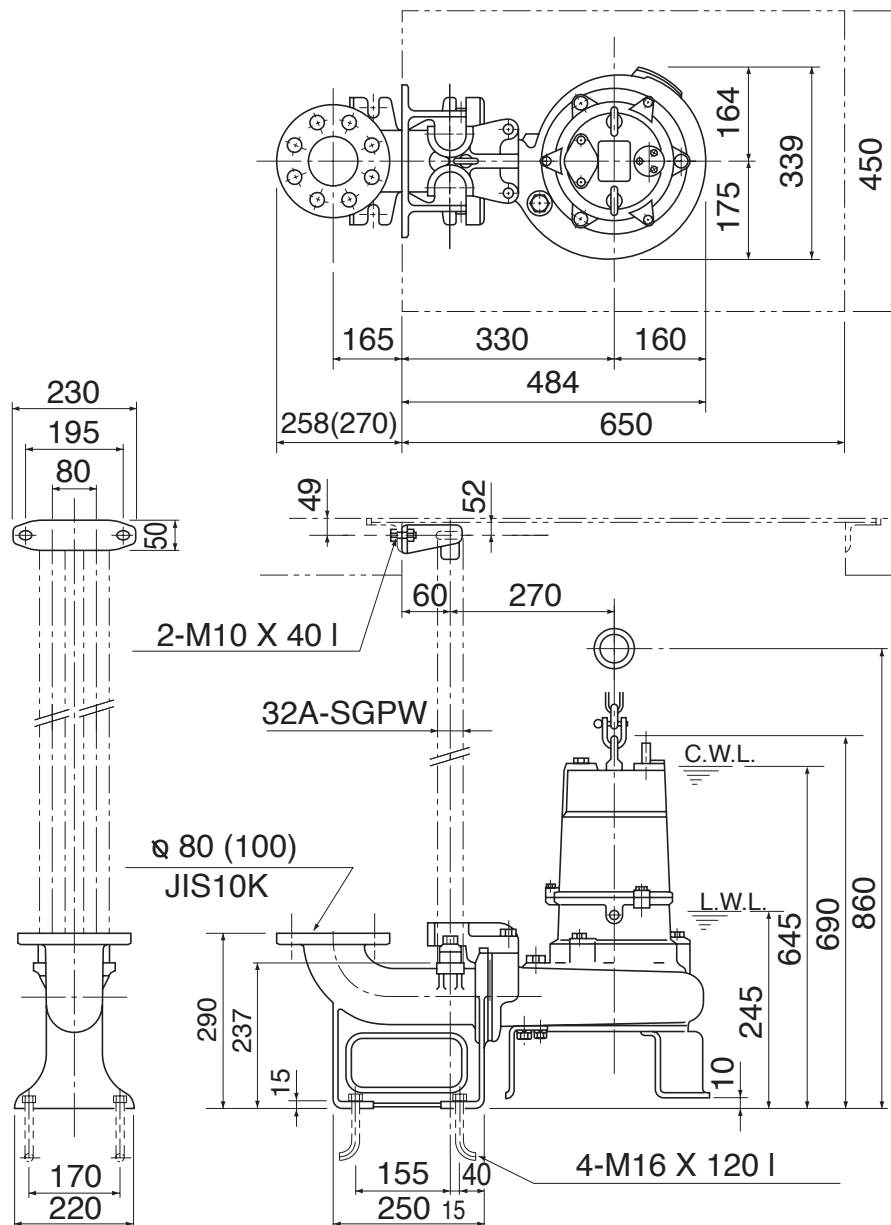


**100C43.7-52**

CWL: Continuous Running Water Level  
LWL: Lowest Running Water Level

# Dimensional Drawing TOS100C43.7-52

Dimensions in mm

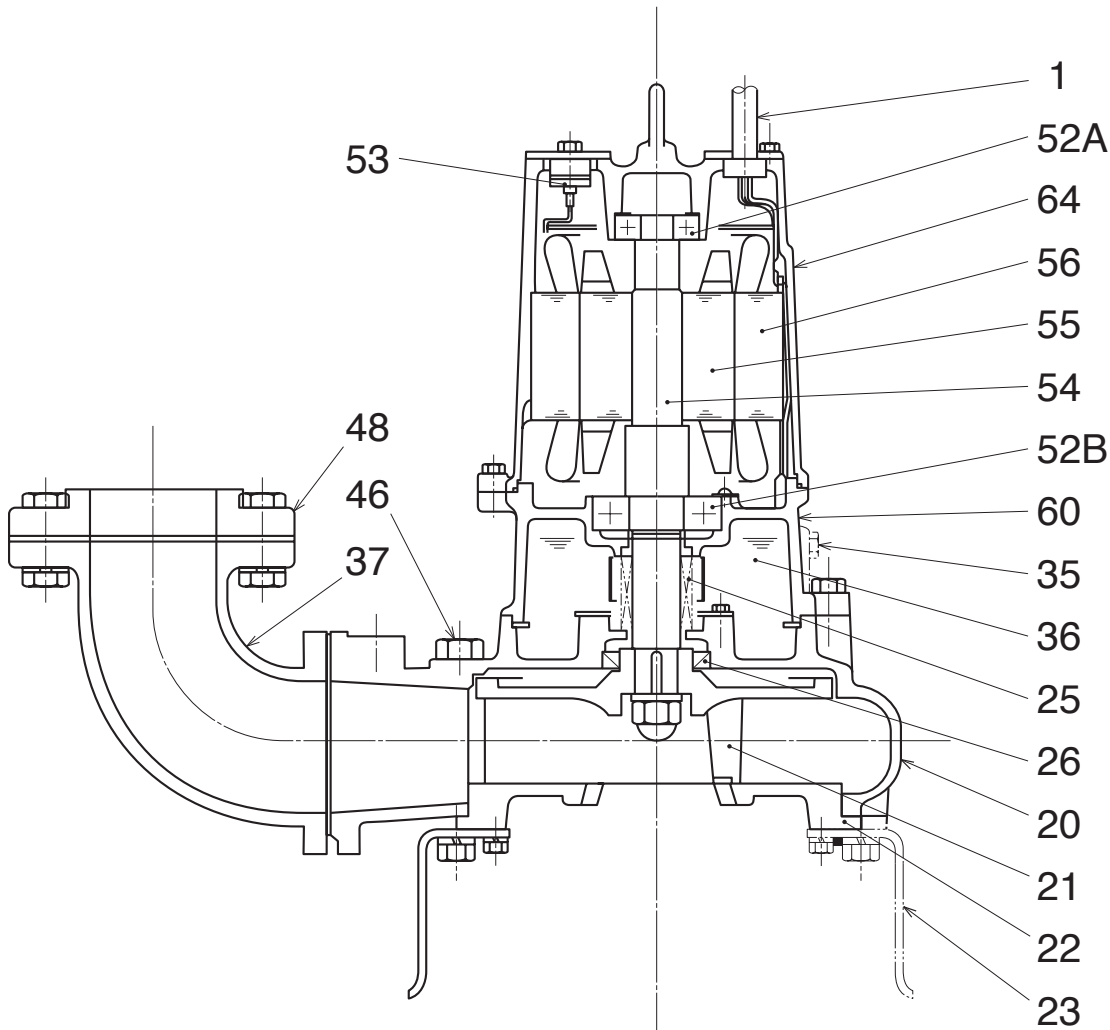


**TOS100C43.7-52**

CWL: Continuous Running Water Level

LWL: Lowest Running Water Level

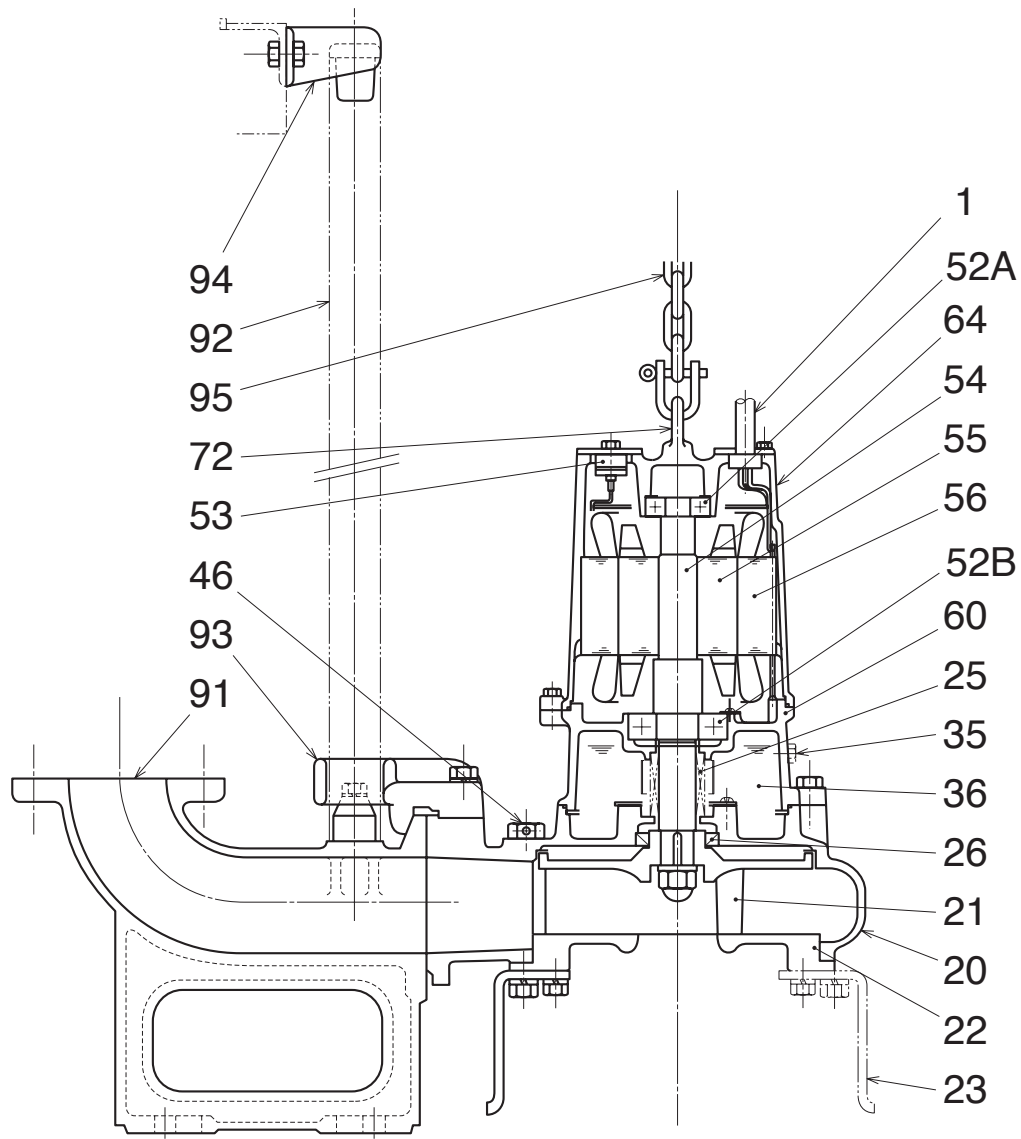
# Sectional Drawing 100C43.7-52



**100C43.7-52**

No.	Description	Qty.	Remarks	No.	Description	Qty.	Remarks
1	Cable	1	H07RN-F	53	Motor Protector	1	
20	Pump Casing	1	FC200 (EN-GJL-200)	54	Shaft	1	SUS403 (EN X6Cr13)
21	Impeller	1	FC200 (EN-GJL-200)+Tungsten Carbide	55	Rotor	1	
22	Suction Cover	1	FCD700 (EN-GJS-700-2)	56	Stator Complete	1	
23	Stand	3	Iron Casting FCMB	60	Bearing Housing	1	FC200 (EN-GJL-200)
25	Mechanical Seal	1	H-35A	64	Motor Frame	1	FC200 (EN-GJL-200)
26	Oil Seal	1	TC-507212				
35	Oil Plug	1	SUS304 (EN-X5CrNi18-10)				
36	Lubricant		Turbine Oil (ISO VG32)				
37	Discharge Bend	1	FC200 (EN-GJL-200)				
46	Air Release Valve	1	Nylon				
48	Screw Flange	1	FC200 (EN-GJL-200)				
52A	Upper Bearing	1	6304ZZC3				
52B	Lower Bearing	1	6309ZZC3				

# Sectional Drawing TOS100C43.7-52



**TOS100C43.7-52**

No.	Description	Qty.	Remarks	No.	Description	Qty.	Remarks
1	Cabtyre Cable	1	H07RN-F	55	Rotor	1	
20	Pump Casing	1	FC200 (EN-GJL-200)	56	Stator Complete	1	
21	Impeller	1	FC200 (EN-GJL-200)+Tungsten Carbide	60	Bearing Housing	1	FC200 (EN-GJL-200)
22	Suction Cover	1	FCD700 (EN-GJS-700-2)	64	Motor Frame	1	FC200 (EN-GJL-200)
23	Stand	3	Iron Casting FCMB	72	Lifting Eye Bolt	2	SS400 (DIN 1.0040)
25	Mechanical Seal	1	H-35A	91	Duck Foot Bend	1	FC200 (EN-GJL-200)
26	Oil Seal	1	TC-507212	92	Guide Pipe (Option)	2	Galvanized Steel Pipe SGPW
35	Oil Plug	1	SUS304 (EN-X5CrNi18-10)	93	Guide Hook	1	FCD450 (EN-GJS-450-10)
36	Lubricant		Turbine Oil (ISO VG32)	94	Guide Support	1	FCD450 (EN-GJS-450-10)
46	Air Release Valve	1	Nylon	95	Lifting Chain	1	SS400 (DIN 1.0040)
52A	Upper Bearing	1	6304ZZC3				
52B	Lower Bearing	1	6309ZZC3				
53	Motor Protector	1					
54	Shaft	1	SUS403 (EN X6Cr13)				

# Pump Performance Curve

## 100C43.7-52

Discharge Bore	100 mm
Total Head	11,0 m
Capacity	0,70 m <sup>3</sup> /min
Motor Output	3,70 kW
Motor Input	4,70 kW
Phase	3
Voltage	400 V
Frequency	50 Hz
Rated Current	8,0 A
Starting Current	49,5 A
Poles	4
Revolution	S.S. 1450 r.p.m.
Starting Method	direct on line
Insulation Class	E

