

**Receiver**

**From**

Company  
Reference  
Address  
Phone  
Fax  
E-mail

**Item n° :** 60208444  
**Customer pos. no.:**

**Model :**  
DIVERTRON X 650 M

**Pump data**

Pressure rating :  
Min. fluid temperature : 0 °C  
Max. fluid temperature : 40 °C  
Max. Ambient temperature :

**Requested data**

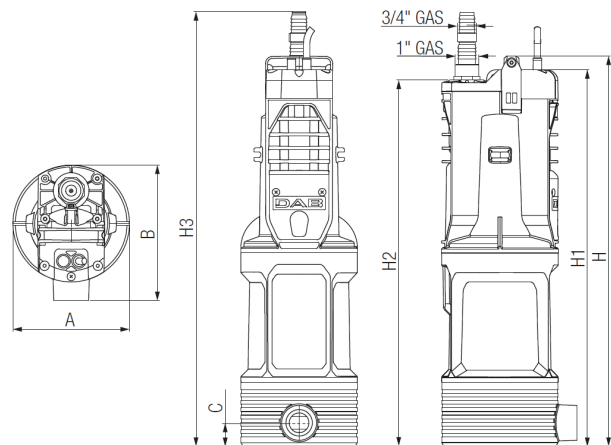
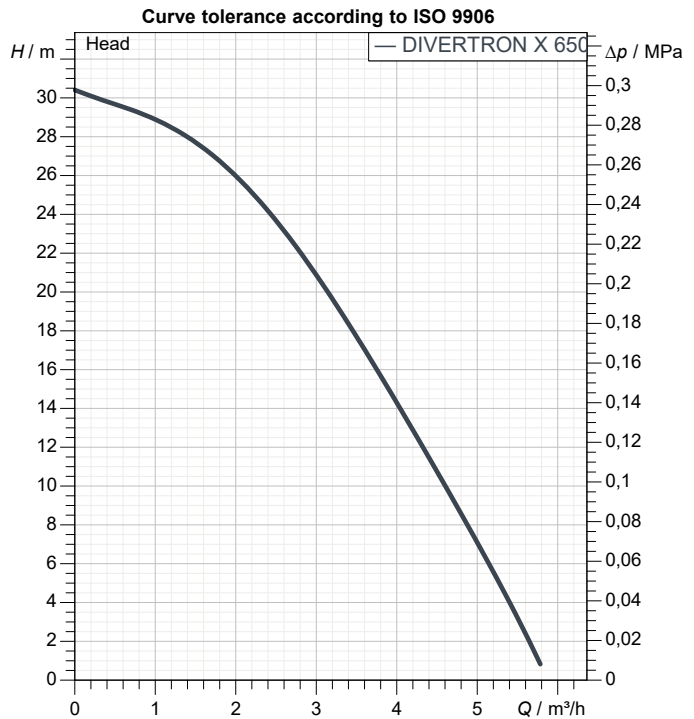
Flow :  
Head :  
Fluid : Water  
Fluid Temperature : 20 °C  
Density : 998,3 kg/m³  
Kinematic viscosity : 1,005 mm²/s  
Vapor pressure : 0,00234 MPa

**Hydraulic data (duty point)**

Flow :  
Head :

**Materials**

Base : Technopolymer  
Inspection cap : EPDM  
Nut : Stainless Steel A2  
Stage housing : Technopolymer  
Wear ring : Technopolymer  
Washer : Stainless Steel A2  
Diffuser : Technopolymer



**Motor data**

Motor brand : DAB  
Nominal power P2 : 0,42 kW  
Rated voltage : 1~ 220-240 V  
Nominal current : 2,9 A  
Number of poles : 2  
Rated speed : 2.800 1/min  
Degree of protection : IP 68

**Weight :** 9,5 kg

**Dimensions in mm**

A	160				
B	186				
C	33				
H	488				
H1	469				
H2	455				
H3	548				

**Pump connection**

Suction side : /  
Discharge side : 1" G / --



# PERFORMANCE CURVES

2023-06-22

Page 2 / 3

DAB PUMPS S.p.A.  
Via Marco Polo, 14 - 35035 Mestrino (PD), Italy  
Tel. +39 049 5125000 - Fax +39 049 5125950  
www.dabpumps.com

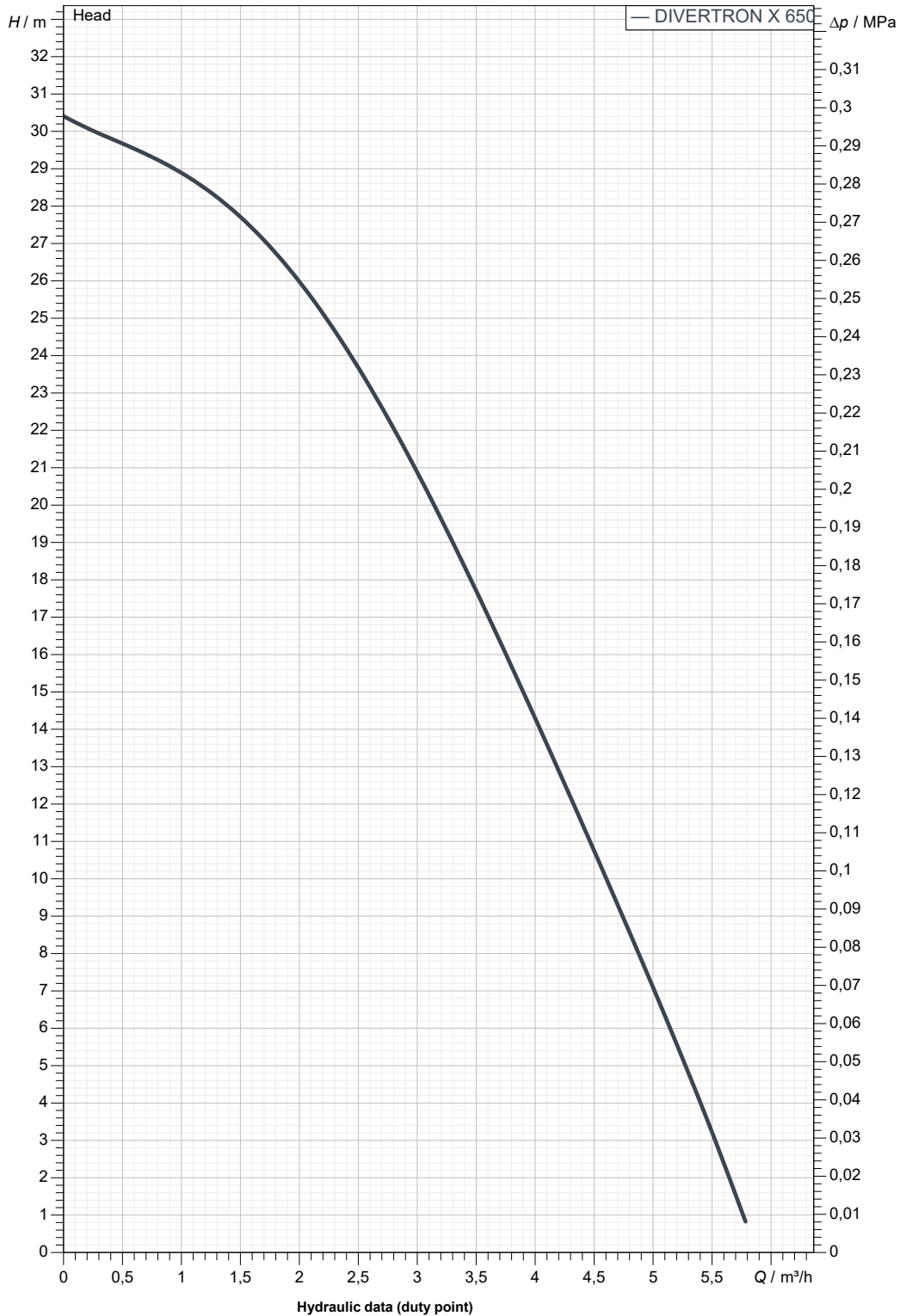
Receiver

From

Company  
Reference  
Address  
Phone  
Fax  
E-mail

## DIVERTRON X 650 M

Curve tolerance according to ISO 9906



Suction side :

Discharge side :  
1" G  
--

Flow :

Head :

Rated speed :  
2.800 1/min

MAIN\_PROJECT\_TITLE

BUSINESS\_PROCESS\_IT

OWNER\_

ISSUE\_DATE  
2023-06-22



# DIMENSIONAL DRAWING

2023-06-22

Page 3 / 3

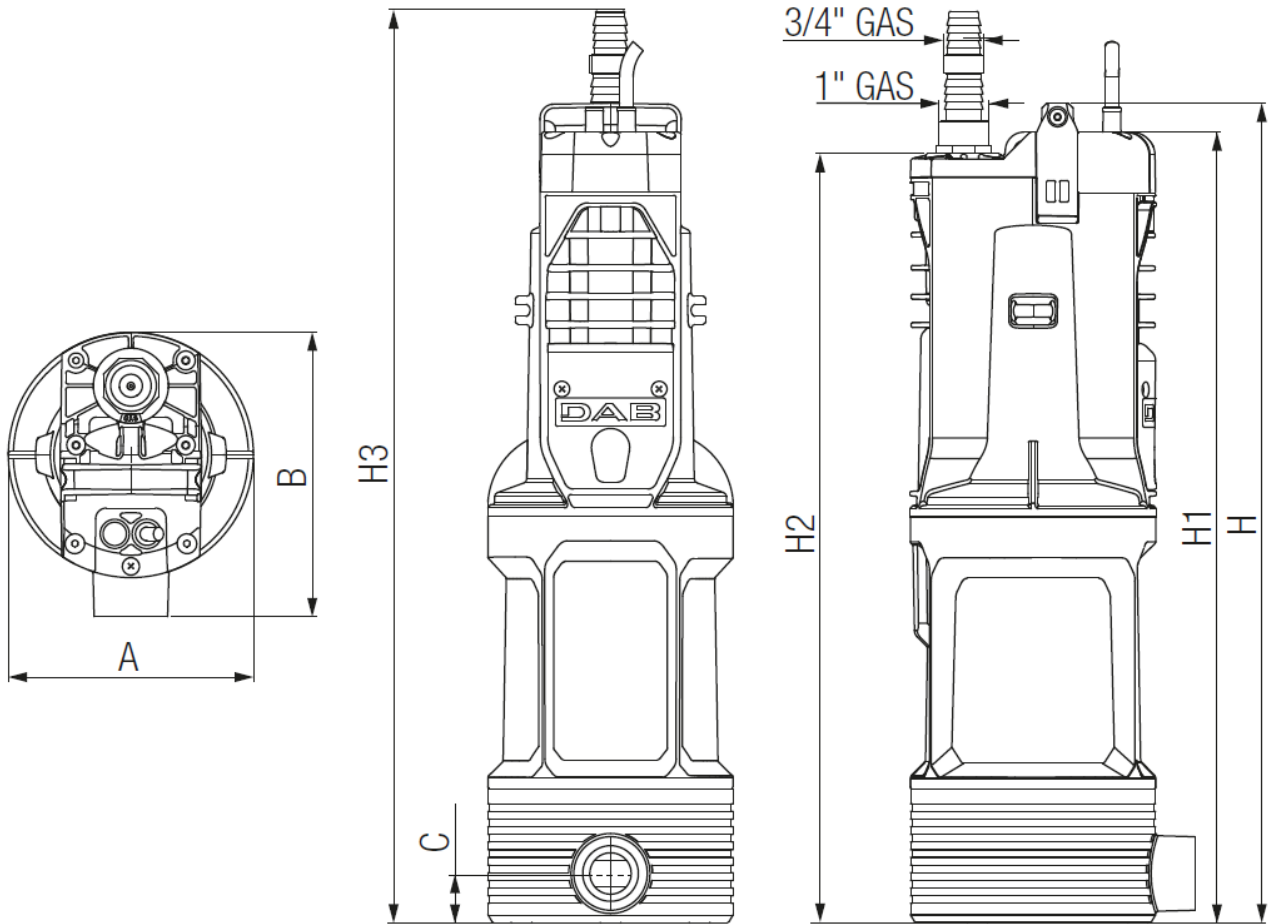
DAB PUMPS S.p.A.  
Via Marco Polo, 14 - 35035 Mestrino (PD), Italy  
Tel. +39 049 5125000 - Fax +39 049 5125950  
www.dabpumps.com

Receiver

From

Company  
Reference  
Address  
Phone  
Fax  
E-mail

## DIVERTRON X 650 M



Dimensions in mm				Pump connection	
1	A	160			
2	B	186			Suction
3	C	33			
4	H	488			
5	H1	469			Discharge
6	H2	455			1" G
7	H3	548			-
8					
9					
10					
11					

MAIN_PROJECT_TITLE	BUSINESS_PROCESS_ID	OWNER	ISSUE_DATE <b>2023-06-22</b>
--------------------	---------------------	-------	---------------------------------