

<b>Receiver</b>	<b>From</b>
Society Reference Address Phone Fax E-mail	

**Item n° :**

**Model :**  
1 ESYBOX MAX 60/120 M

**Pump data**

Pressure rating : 12 bar (1200 KPa)  
 Constant pressure range: 1-12 bar (3 bar by default)  
 Min. fluid temperature : 0 °C  
 Max. fluid temperature : 50 °C  
 Max. Ambient temperature : 55 °C

**Requested data**

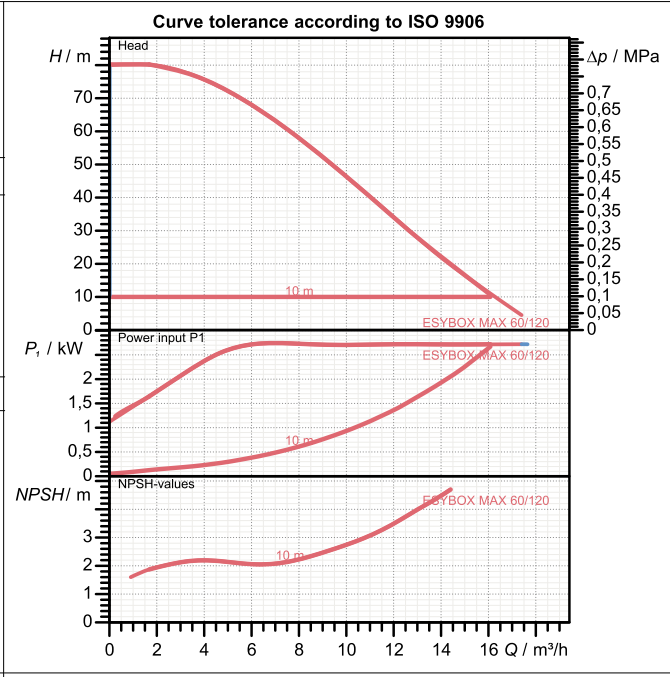
Fluid : Water  
 Fluid Temperature : 20 °C  
 Density : 998,3 kg/m³  
 Kinematic viscosity : 1,005 mm²/s  
 Vapor pressure : 2,34 kPa

**Materials**

Fitting	Technopolymer PA66 30%GF
Manifold	Stainless Steel AISI 304
Flange	Technopolymer PA66 30%GF
Pump body	Technopolymer PA66 30%GF
Pump body ring	Technopolymer PP 30%GF
Impeller	Technopolymer PP 30%GF/AISI 304
Diffuser	Technopolymer PP 30%GF/AISI 304
Motor axis	Stainless Steel AISI 303
OR ring	EPDM
Motor flange	Technopolymer PA66 30%GF
Mechanical seal	Graphite/Stainless Steel/EPDM
Motor liner	Stainless Steel AISI 304
Motor body	Technopolymer PA66 30%GF
Conveyor tube	Technopolymer PP 30%GF
Pressure sensor	Nylon/EPDM
Non-return valve	POM/EPDM/AISI 302
Non-return valve body	Technopolymer PA66 30%GF
Tank	Noryl/Rubber
Delivery body	Technopolymer PA66 30%GF
Outer liner	Stainless Steel AISI 304

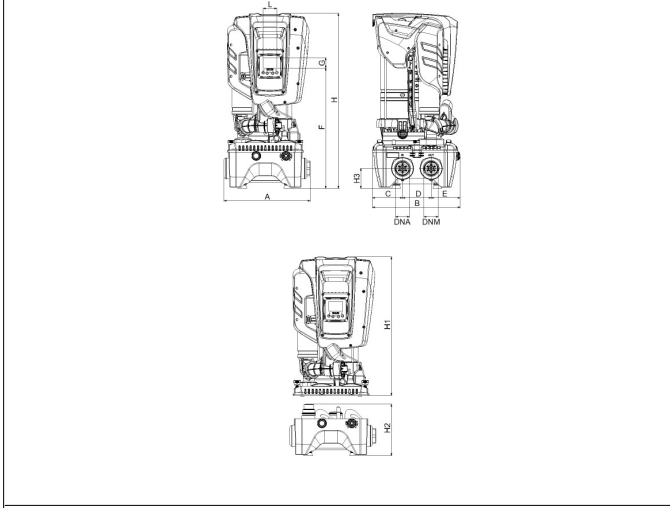
**Motor data**

Power input P1 : 1 x 2,7 kW  
 Rated speed : 5.240 1/min  
 Rated voltage : 1~ 208-240 V 50 Hz  
 Nominal current : 1 x 12 A  
 Degree of protection : IP X5



**Hydraulic data (duty point)**

Flow :  
 Head :



Dimensions in		mm	
A	375	E	127,7
B	384	F	526
C	131,8	G	45
D	124,5	H	766
DNA	1"1/4 - :	H1	613
DNM	1"1/4 - :	H2	228
H3	87	L	59,5

**Weight :** 38 kg

**Pump connection**

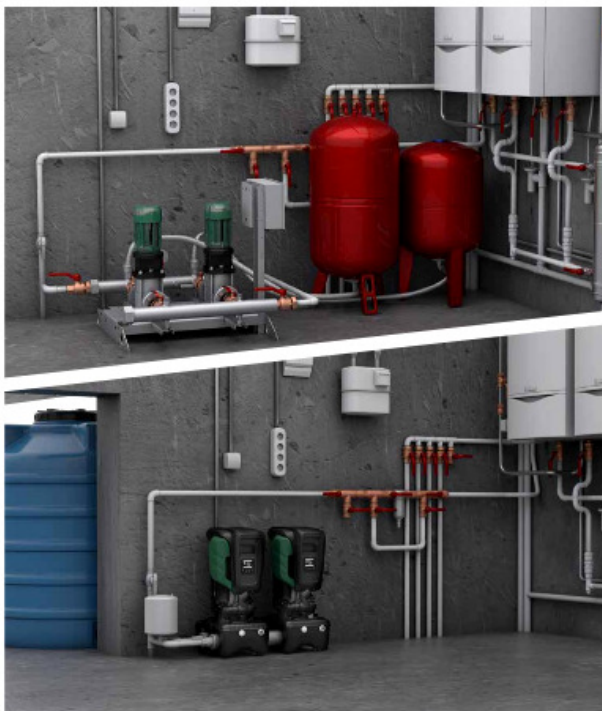
Suction side : 1"1/4 - 2" G / 12 bar (1200 KPa)  
 Discharge side : 1"1/4 - 2" G / 12 bar (1200 KPa)

# ENERGY SAVING

BEFORE

AFTER

- 20%  
Compared with  
traditional inverter pump



**D+CONNECT**  
BUILT-IN

ANDROID APP ON Google play

Download on the App Store



As quick as a "click"





WATER • TECHNOLOGY

# PERFORMANCE CURVES

2021-06-1C

Page 3 / 4

DAB PUMPS S.p.A.  
Via Marco Polo, 14 - 35035 Mestrino (PD), Italy  
Tel. +39 049 5125000 - Fax +39 049 5125950  
www.dabpumps.com

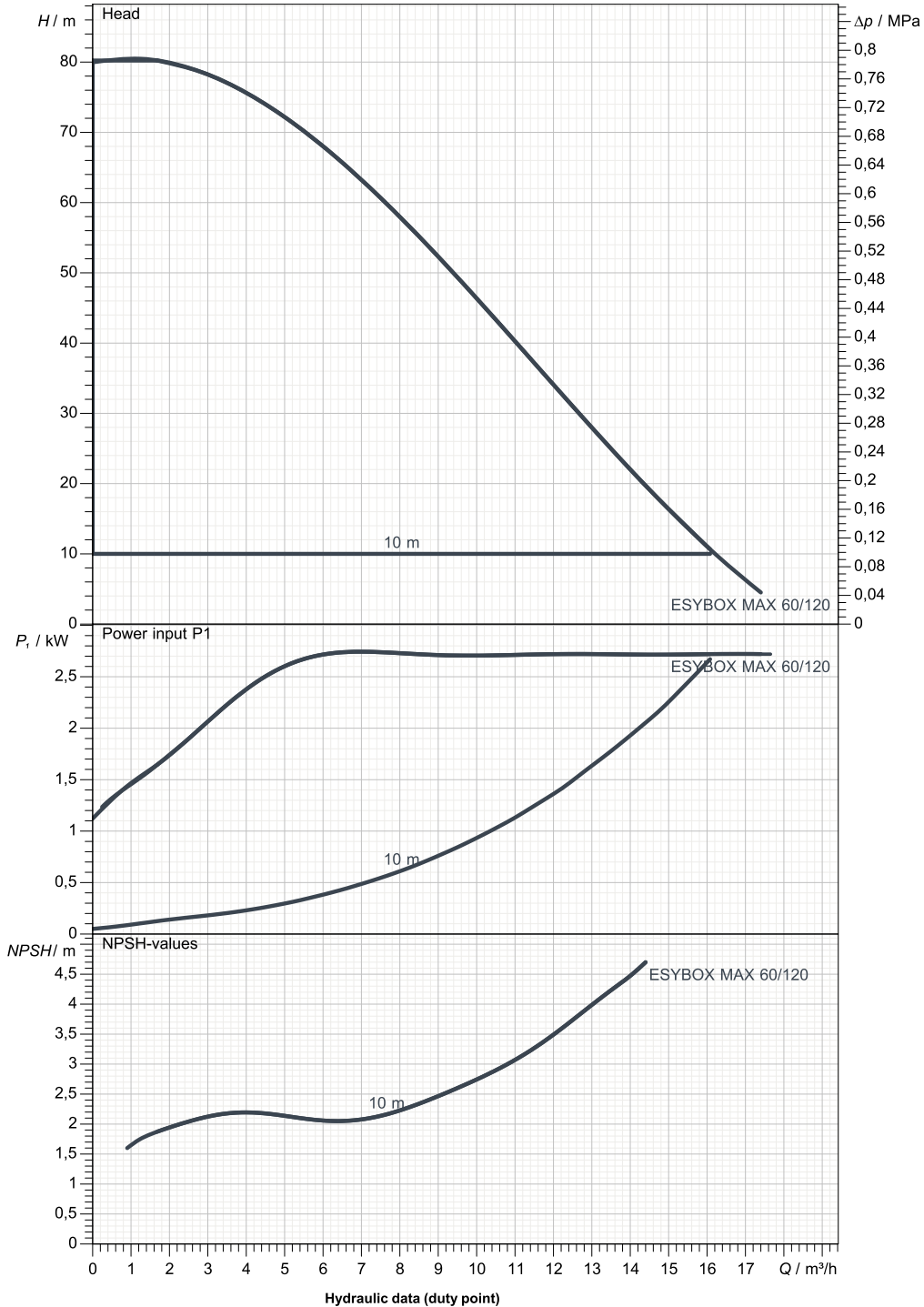
Receiver

From

Society  
Reference  
Address  
Phone  
Fax  
E-mail

## 1 ESYBOX MAX 60/120 M

Curve tolerance according to ISO 9906



Suction side :  
1"1/4 - 2" G  
12 bar (1200 KPa)

Discharge side :  
1"1/4 - 2" G  
12 bar (1200 KPa)

Flow :

Head :

Rated speed :  
5.240 1/min

MAIN\_PROJECT\_TITLE

BUSINESS\_PROCESS\_IT

OWNER\_

ISSUE\_DATE

2021-06-10



# DIMENSIONAL DRAWING

2021-06-1C

Page 4 / 4

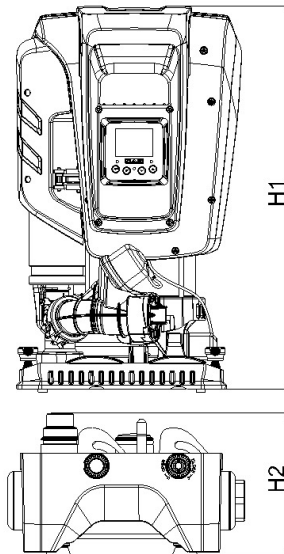
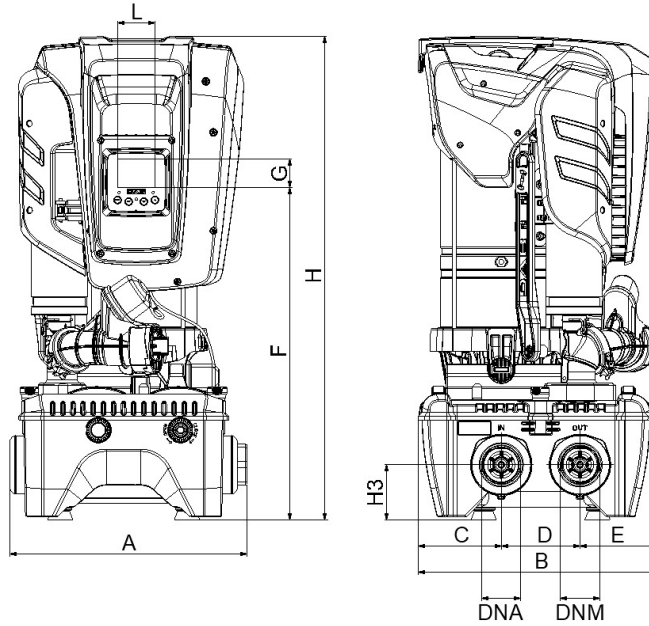
DAB PUMPS S.p.A.  
Via Marco Polo, 14 - 35035 Mestrino (PD), Italy  
Tel. +39 049 5125000 - Fax +39 049 5125950  
www.dabpumps.com

Receiver

From

Society  
Reference  
Address  
Phone  
Fax  
E-mail

## 1 ESYBOX MAX 60/120 M



Dimensions in mm						Pump connection
1	A	375	H3	87		Suction 1"1/4 - 2" G 12 bar (1200 KPa)  Discharge 1"1/4 - 2" G 12 bar (1200 KPa)
2	B	384	L	59,5		
3	C	131,8				
4	D	124,5				
5	DNA	1"1/4 - 2"				
6	DNM	1"1/4 - 2"				
7	E	127,7				
8	F	526				
9	G	45				
10	H	766				
11	H1	613				
12	H2	228				

MAIN\_PROJECT\_TITLE

BUSINESS\_PROCESS\_IC

OWNER\_

ISSUE\_DATE

2021-06-10