

# CIRCULATORS FOR HOT WATER SYSTEM



Pump for hot water circulation in hot water domestic systems of the closed and pressurised or open tank type. Also suitable for solar power systems. Single body formed of the bronze hydraulic unit. Die-cast aluminium motor casing. Technopolymer impeller. Ceramic driving shaft mounted on graphite brushings lubricated by the pumped liquid itself. Stainless steel protective rotor sleeve, stator sleeve and closing flange. Ceramic thrust bearing, E.P.D.M. "O" rings. The two-pole or four-pole asynchronous motor with wet rotor is self-protected for resistance. **No overload protection required.**

**Operating range:** from 0.6 to 4.2 m<sup>3</sup>/h with head up to 6.3 metres.  
**Liquid temperature range:** from -10°C to +85°C (for sanitary use) +110°C (for others use).

**Pumped liquid characteristics:** clean, free from solids and mineral oils, non viscous, chemically neutral, close to the characteristics of water (max 30% glycol).

**Maximum working pressure:** 10 bar (1000 kPa).

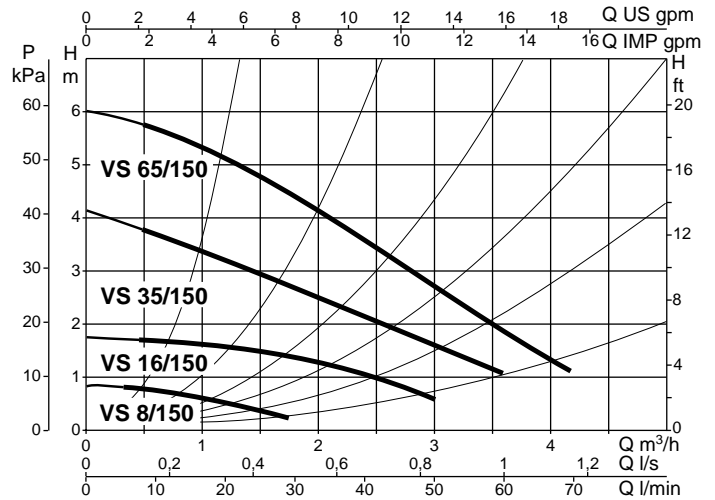
**Protection level:** IP 44

**Insulation class:** F

**Cable grommet:** PG 11

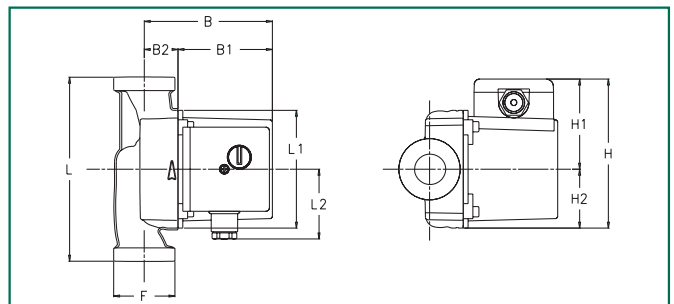
**Installation:** with motor axis horizontal.

## ELECTRICAL AND HYDRAULIC DATA



MODEL	VOLTAGE 50 Hz	CENTRE DISTANCE mm	UNIONS ON REQUEST	ELECTRICAL DATA					MINIMUM HEAD PRESSURE
				n r.p.m.	P1 MAX W	I <sub>n</sub> A	CAPACITOR		
							μF	V <sub>c</sub>	
VS 8/150	1x230 V ~	150	BRASS: 1/2" F - 3/4" F - 1" F COPPER: Ø 22 - Ø 28	1225	40	0,23	2	450	t° +60°C m.t. 1,5
VS 16/150	1x230 V ~	150		2680	54	0,25	1,5	450	t° +60°C m.t. 1,5
VS 35/150	1x230 V ~	150		2360	71	0,32	2	450	t° +60°C m.t. 1,5
VS 65/150	1x230 V ~	150		2105	103	0,45	2,5	450	t° +60°C m.t. 1,5

## DIMENSIONS AND WEIGHTS



MODEL	L	L1	L2	B	B1	B2	H	H1	H2	F	PACKAGING DIMENSIONS			VOLUME m <sup>3</sup>	WEIGHT Kg
											L	B	H		
VS 8/150	150	98	60	104	78	26	124	75	49	1 1/2" G	130	185	135	0,0032	2,6
VS 16/150	150	98	60	104	78	26	124	75	49	1 1/2" G	130	185	135	0,0032	2,6
VS 35/150	150	98	60	104	78	26	124	75	49	1 1/2" G	130	185	135	0,0032	2,6
VS 65/150	150	98	60	104	78	26	124	75	49	1 1/2" G	130	185	135	0,0032	2,6