



Booster Silent 3 M

07/06/2012

Page 1 / 3

Receiver

From

Society
Reference
Address
Telephone
Fax
E-mail

Item no. 60122696

Pump data :

Model : Booster Silent 3 M
Impeller size 0 mm
Type of installation Booster Silent
Pressure rating :
Min. fluid temperature : 0 °C
Max. fluid temperature : 40 °C

Minimum suction head :

Temperature °C
Minimum suction head m

Requested data :

Flow
Head
Fluid : Water, pure
Fluid Temperature : 20 °C
Density : 998.3 kg/m³
Kinematic viscosity 1.005 mm²/s
Vapor pressure : 100 kPa

Hydraulic data (duty point)

Flow 0 l/s
Head 0 m
Power input P1 0 kW
Speed 2800 rpm

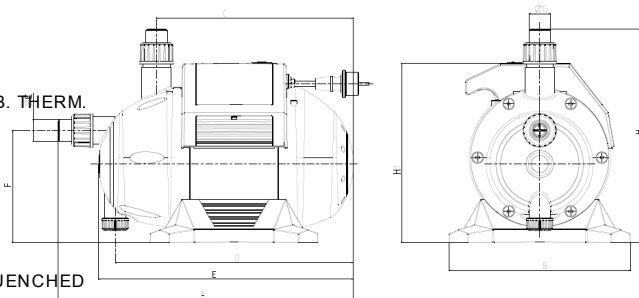
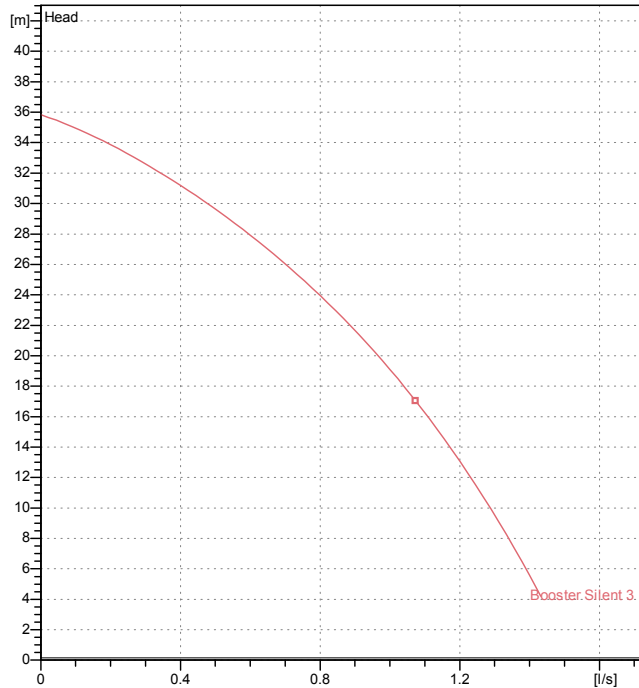
Materials :

Pump body PP OMO 30% FVAC NAT GRADE 6 STAB. THERM.
Impeller PPO/PPE 20% FV
Diffuser PPO/PPE 20% FV
OR ring NBR 70
Protection cover PP-COPOLYMER
Motor shaft DRAWN BARS STEEL INOX AISI 416 QUENCHED

Motor data :

Brand : DAB
Frame size H80 ESP 3G 0,55 kW
Nominal power P2: 0.55 kW
Rated speed: 2800 rpm
Rated voltage : 1~ 230 V 50 Hz
Nominal current : 3.7 A
Starting current 0 A
Degree of protection : IP 44

Curve tolerance according to ISO 9906



Dimensions in mm

A	455	E	395	H1	280		
B	280	F	175				
C	305	G	33				
D	370	H	330				

Suction side /
Discharge side: /
Weight : 11 kg



PERFORMANCE CURVES

07/06/2012

Page 2 / 3

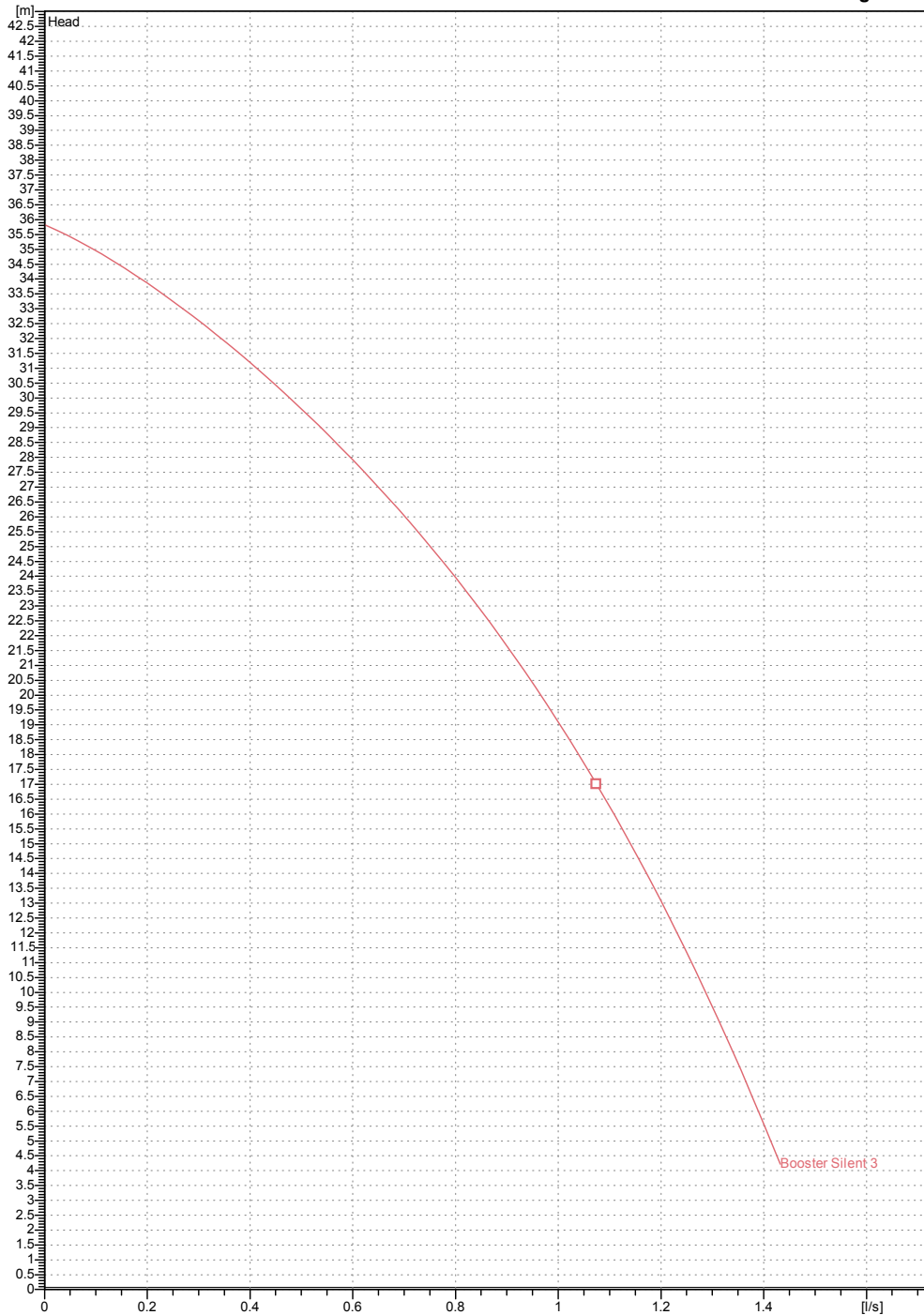
Receiver

From

Society
Reference
Address
Telephone
Fax
E-mail

Booster Silent 3 M

Curve tolerance according to ISO 9906



Hydraulic data (duty point)

Suction side /	Discharge side: /	Flow 0 l/s	Head 0 m	Speed 2800 rpm
Project	Project ID	Created by	Created on 07/06/2012	



DIMENSIONAL DRAWING

07/06/2012

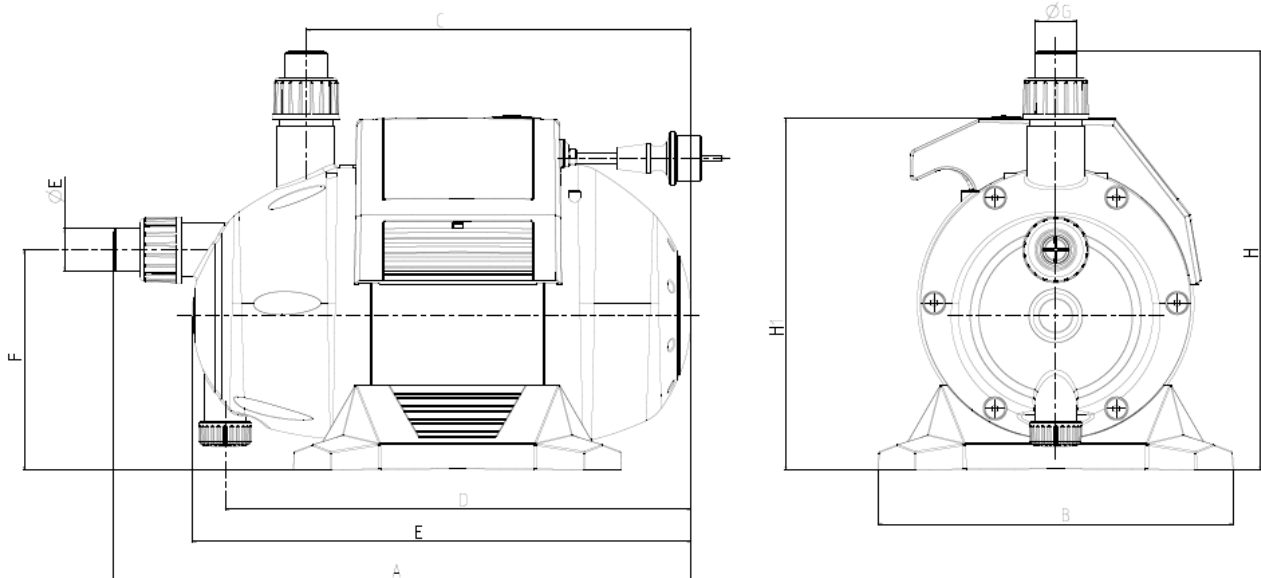
Page 3 / 3

Receiver

From

Society
Reference
Address
Telephone
Fax
E-mail

Booster Silent 3 M



Dimensions in mm										Pump connection
1	A	455								Suction Discharge
2	B	280								
3	C	305								
4	D	370								
5	E	395								
6	F	175								
7	G	33								
8	H	330								
9	H1	280								
Project			Project ID			Created by			Created on 07/06/2012	