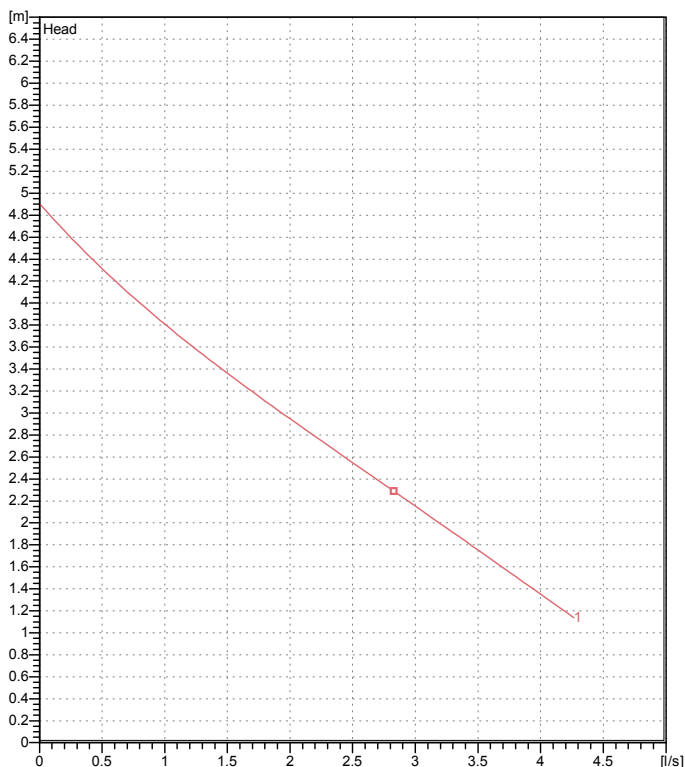
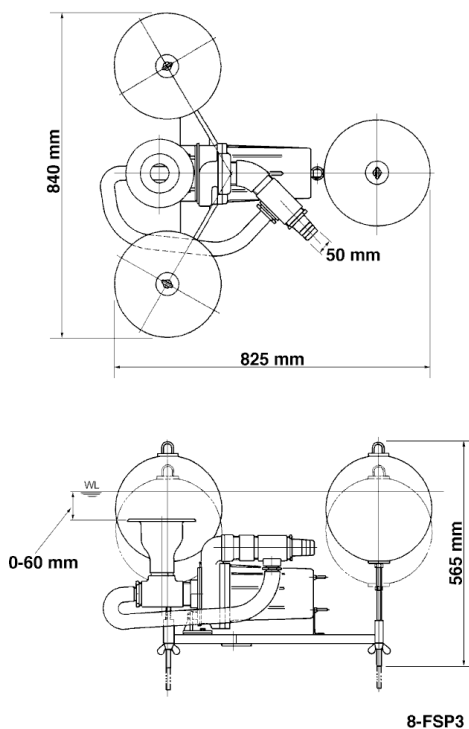


# Data sheet 8-FSP3



## Specification

scum skimmer  
 Degree of protection IP 68  
 Type of impeller Single channel impeller  
 Free passage 22 mm  
 Suitable for:  
 collection and return of floating scum

## Electric motor

Dry-type submersible induction motor  
 Insulation class E 2Poles 2810 1/min  
 Starting mode Directly  
 Rated voltage 400 V 50 Hz 3~  
 Power uptake 1.13 kW  
 Rated power 0.75 kW  
 Rated current 1.9 A  
 Start current 8.5 A

## Cable

10m H07RN-F 4Cx1,5mm<sup>2</sup>

## Motor Protection

Circle thermal protector  
 (snap-action bi-metal device)

## Shaft seal

Double inside mechanical seal in oil bath

Primary seal  
 Silicon carbide on ceramic  
 Secondary seal  
 Ceramic on carbon

## Bearings

Shielded ball bearings, maintenance-free

## Materials

Float (3x)	ABS Plastic
Impeller	FC200 (EN-GJL-200)
Pump casing	FC200 (EN-GJL-200)
Motor Frame	FC150 (EN-GJL-150)

## Discharge size

50mm Hose coupling

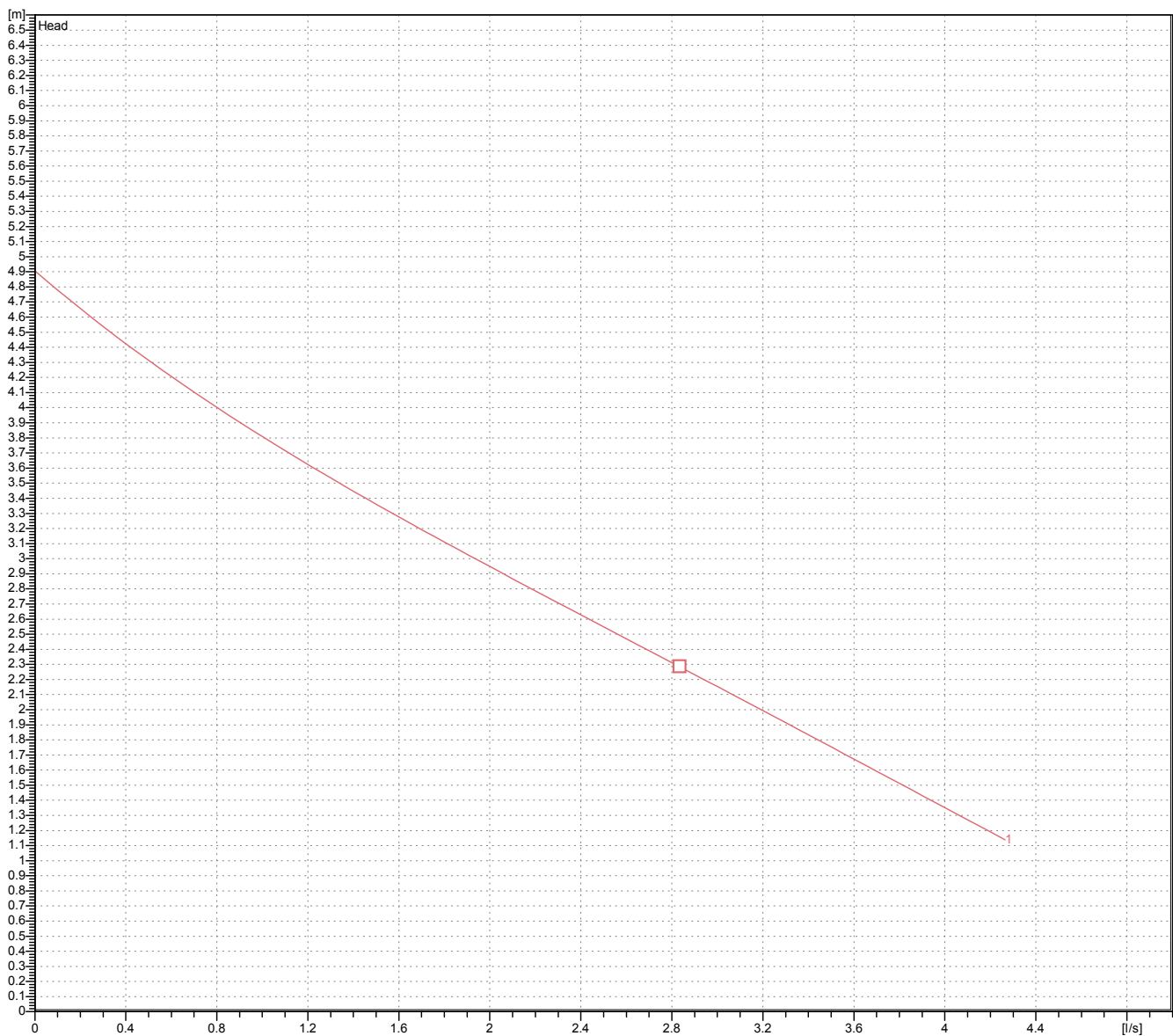
## Weight

38 kg (dry weight of the pump only without cable)

# Performance curve

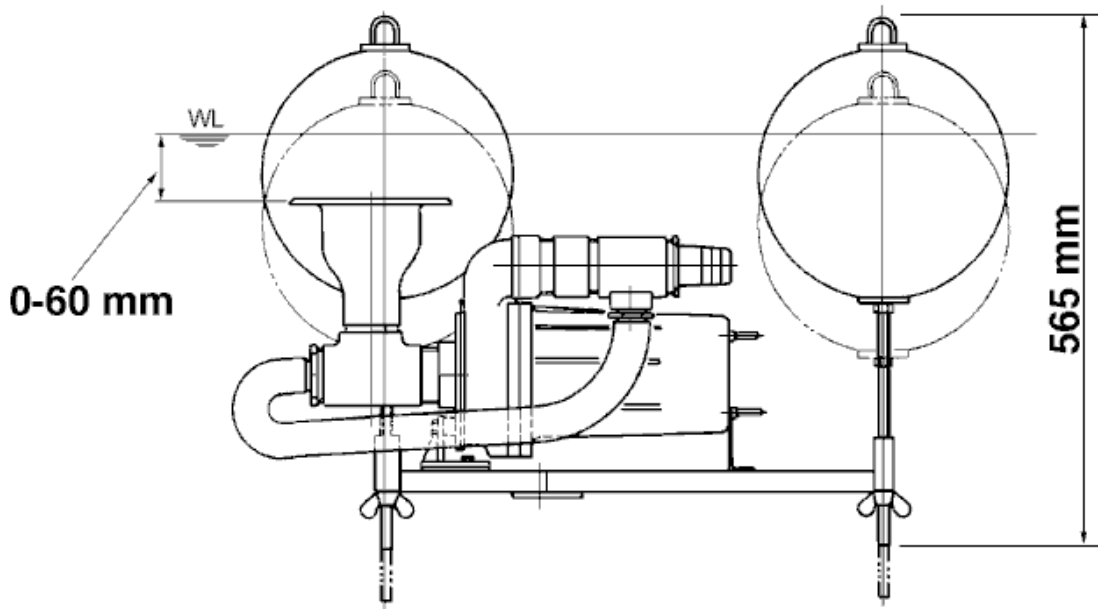
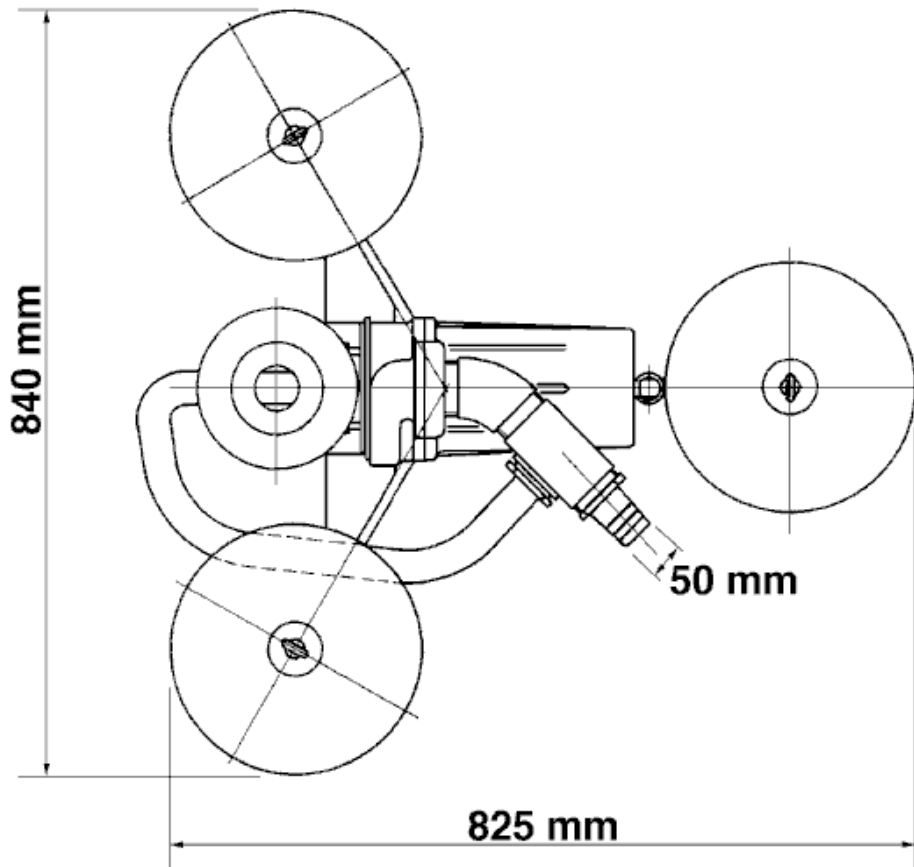
## 8-FSP3

Discharge port	2"
Head	4.9 m
Flow	4.3 l/s
Rated power	0.75 kW
Power input	1.13 kW
Phases	3~
Voltages	400 V
Frequency	50 Hz
Rated current	1.9 A
Starting current	8.49 A
Number of poles	2
Speed	2810 1/min
Starting mode	Directly
Insulation class	E



# Dimensions

## 8-FSP3



**8-FSP3**

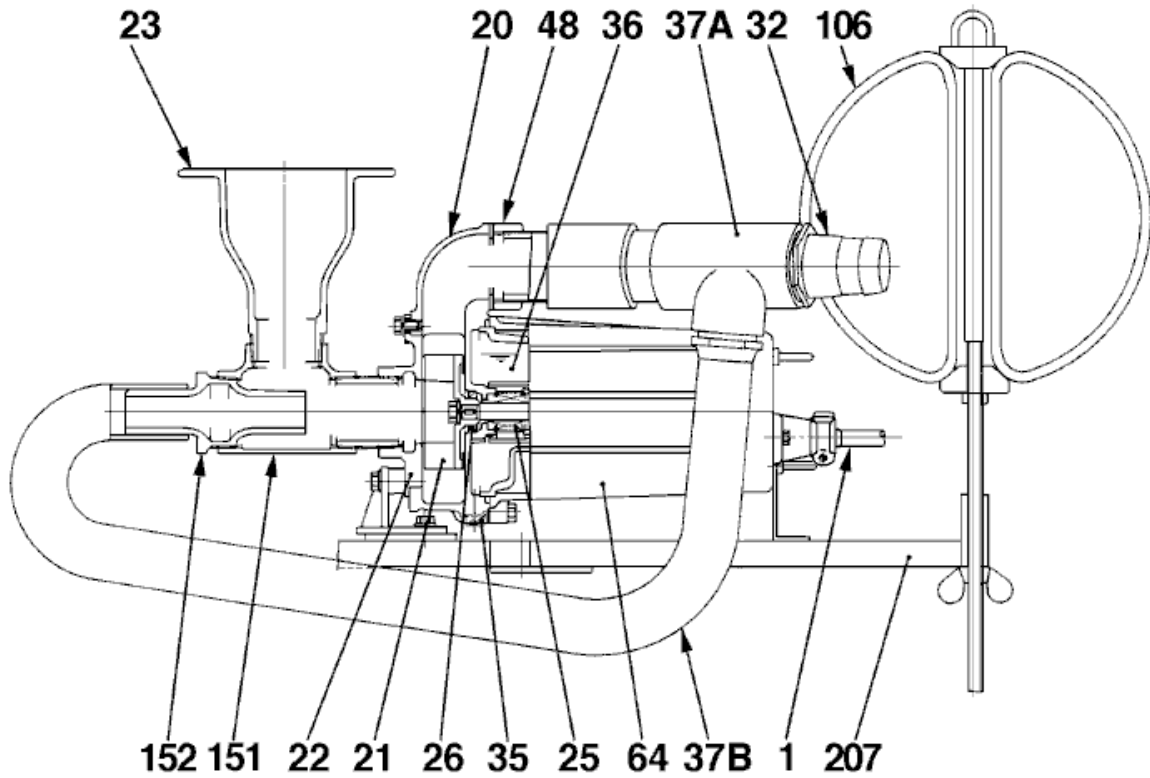
CWL: Continuous running water level  
LWL: Lowest running water level

 **TSURUMI PUMP**

Tsurumi Europe GmbH  
30.08.2011

Heltorfer Str. 14 \* 40472 Düsseldorf \* Germany  
Tel.: +49-211-4179373 sales@tsurumi.eu  
Fax: +49-211-4791429 www.tsurumi.eu

# Sectional drawing 8-FSP3



**8-FSP3**

No.	Denomination	Remark	No.	Denomination	Remark
1	Cable	H07RN-F	152	Valve	Plastic
20	Pump casing	FC200 (EN-GJL-200)	207	Frame	SUS 1.0040 & SGPW
21	Impeller	FC200 (EN-GJL-200)			
22	Suction cover	FC200 (EN-GJL-200)			
23	Induction funnel	Plastic			
25	Mechanical seal	W-14HL			
26	Oil casing	SC-22357			
32	Coupling Set &	Plastic			
35	Oil screw	Stainless steel SUS304			
36	Lubricant	Turbine oil (ISO VG32)			
37A	Outlet	Black malleable cast iron			
37B	Branch pipe hose	Vinyl			
48	Screwed Flange	Plastic			
64	Motor Frame	FC150 (EN-GJL-150)			
106	Float (3x)	ABS Plastic			
151	Suction cover	Black malleable cast iron			